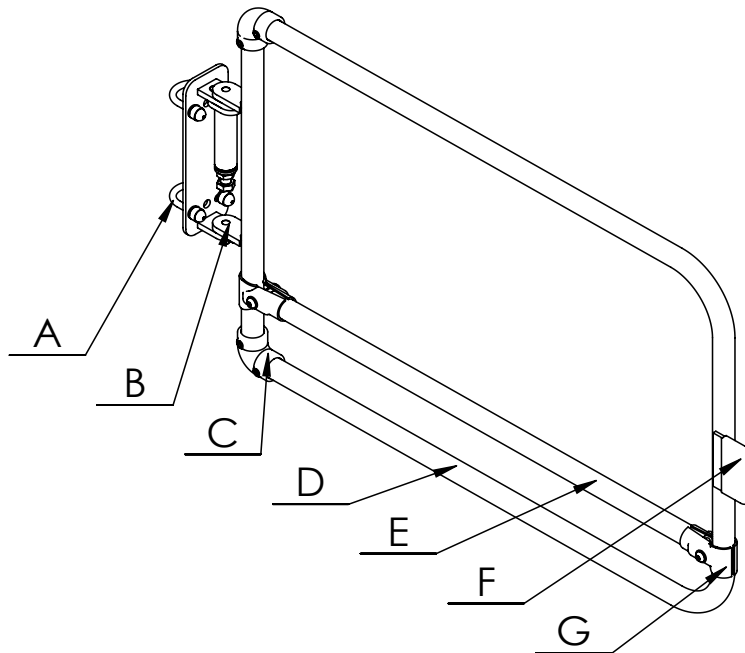




SAFETY AT THE HIGHEST LEVEL

Single and Double Kee Gate Technical Datasheet Pack



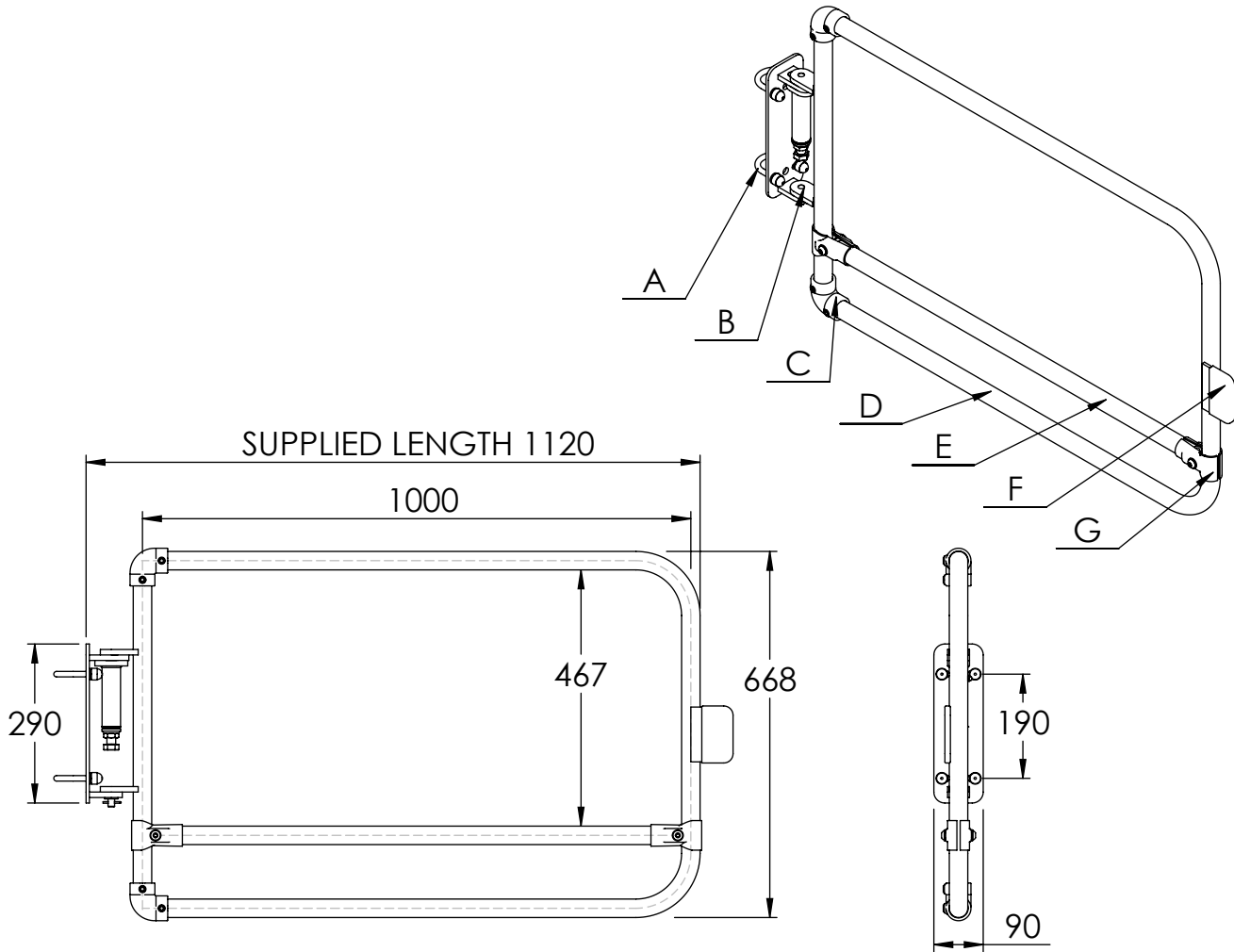
Revision 5
Issued November 2017

Technical Datasheet No: 0001

SGEUGV KEE GATE EUROPEAN GALVANISED ASSEMBLY

Part No: SGEU600GV

Short Part No: SGEUGV2



ITEM NO.	PART NO.	DESCRIPTION	QTY.
A	SGEUFXPK1	SAFETY GATE EUROPEAN FIXING PACK	1
B	SGK-SGEU600	SAFETY GATE KIT FOR SGEU600	1
C	001560010	15-6 90° ELBOW	2
D	SGAS601GV	EN 14122 PT 3 'D' BEND WELDED ASSEMBLY - GALVANISED	1
E	SGEUMIDGV	CUT TUBE Ø34 x EN10255 @ 918	1
F	SGSD002PL	SLAM PLATE COVER	1
G	MIDDLE TUBE FIXING PACK	H.D.G. SPLIT CLAMP TYPE 2101866 C/W SS BUTTON HEAD SCREWS, COUPLER NUT & TOOTHED WASHERS	2

APPLICATION

KEE GATE has been designed to be fully adjustable and can accommodate openings up to 1m (USA 18" - 48") for single gate and 1.8m (70.86") for the double gate. Connecting the "KEE GATE" to the supporting structure/post/ stringer is simple via using the U-bolt which can provide connection around any flat, square or tubular stringer from 33.7 - 48.3mm (1" - 1.5").

COMPONENT SPECIFICATION

Material	Mild Steel, Malleable Cast Iron, Rubber
Finish	Galvanised steel to BS EN ISO 1461, Natural
Weight	14kg

Issue Date: 25/07/2017

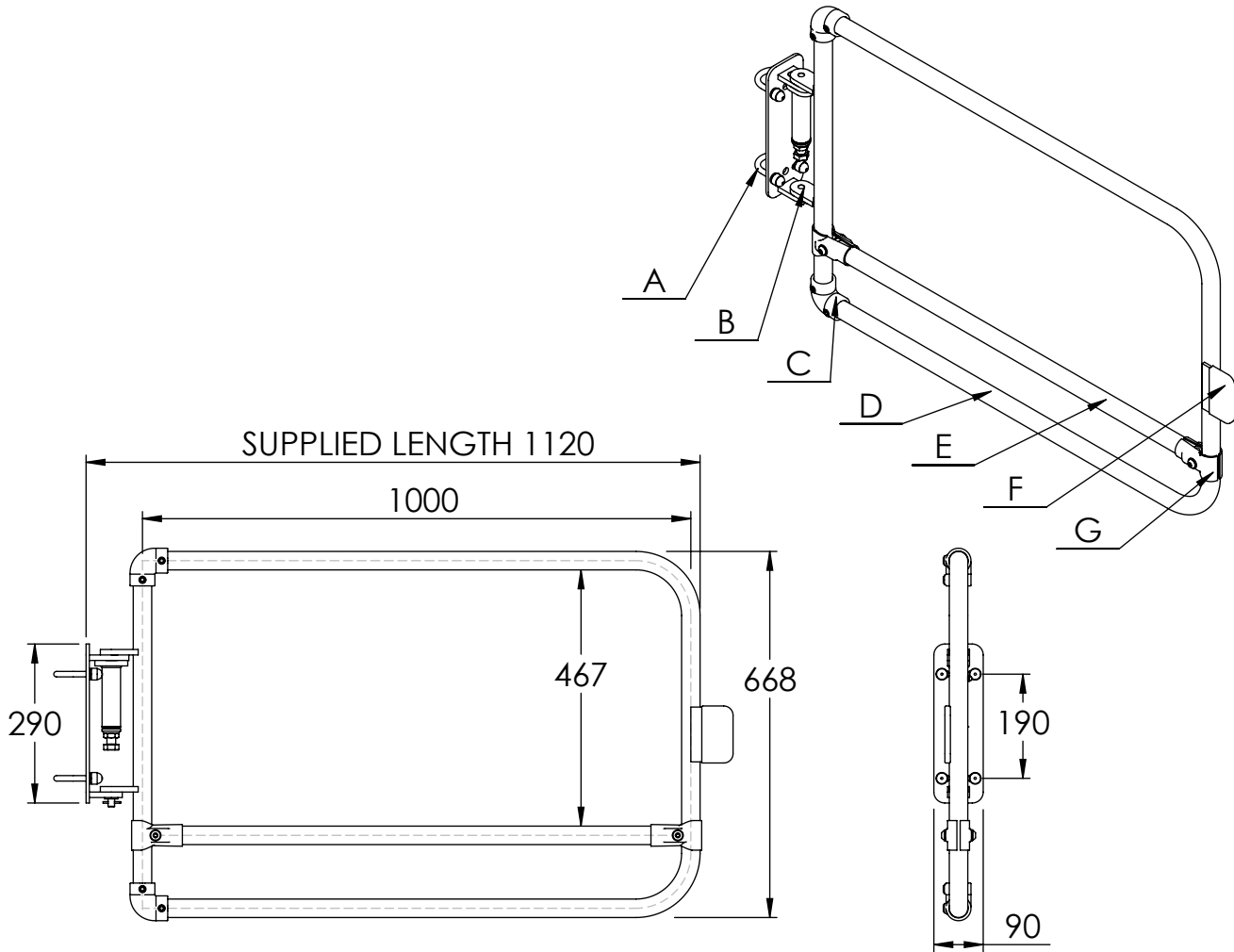
Issue No: 2

Technical Datasheet No: 0002

SGEUPC KEE GATE EUROPEAN POWDER COATED ASSEMBLY

Part No: SGEU600PC

Short Part No: SGEUPC2



ITEM NO.	PART NO.	DESCRIPTION	QTY.
A	SGEUFXPK1	SAFETY GATE EUROPEAN FIXING PACK	1
B	SGK-SGEU600	SAFETY GATE KIT FOR SGEU600	1
C	001560010	15-6 90° ELBOW	2
D	SGAS601PC	EN 14122 PT 3 'D' BEND WELDED ASSEMBLY - POWDER COATED	1
E	SGEUMIDPC	CUT TUBE Ø34 x EN10255 @ 918	1
F	SGSD002PL	SLAM PLATE COVER	1
G	MIDDLE TUBE FIXING PACK	H.D.G. SPLIT CLAMP TYPE 2101866 C/W SS BUTTON HEAD SCREWS, COUPLER NUT & TOOTHED WASHERS	2

APPLICATION

KEE GATE has been designed to be fully adjustable and can accommodate openings up to 1m (USA 18" - 48") for single gate and 1.8m (70.86") for the double gate. Connecting the "KEE GATE" to the supporting structure/post/ stringer is simple via using the U-bolt which can provide connection around any flat, square or tubular stringer from 33.7 - 48.3mm (1" - 1.5").

COMPONENT SPECIFICATION

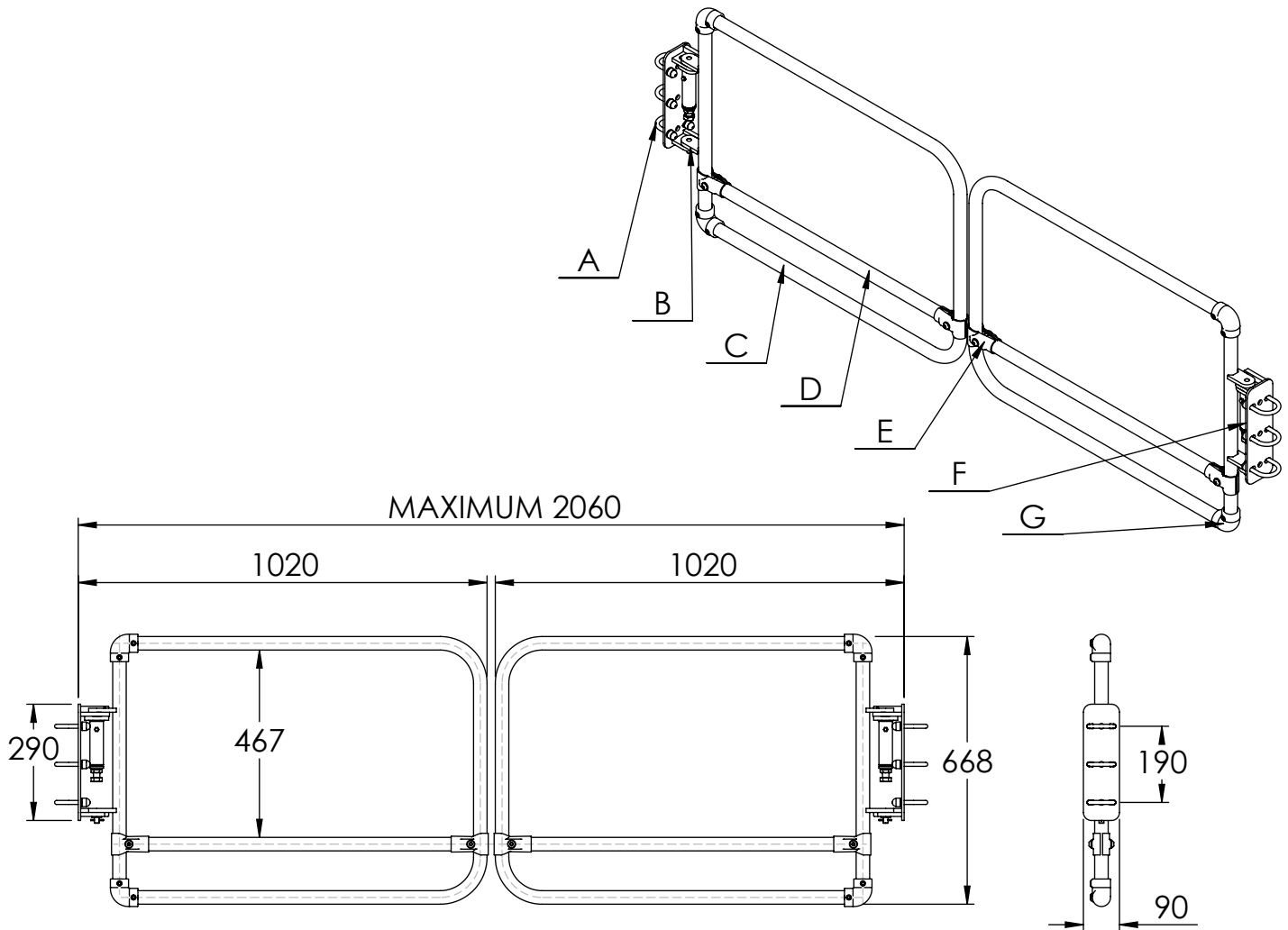
Material	Mild Steel, Malleable Cast Iron, Rubber
Finish	Powder Coated Finish to EN 13438, Galvanised steel to BS EN ISO 1461, Natural
Weight	14kg

Technical Datasheet No: 0023

EUROPEAN POWDER GALVANISED GATE ASSEMBLY

Part No: SGEUDP2GV

Short Part No: SGEUDP2GV



ITEM NO.	PART NO.	DESCRIPTION	QTY.
A	SGEUFXPK2	SGEUFXPK2 - DOUBLE SAFETY GATE EUROPEAN FIXING PACK 1	2
B	SGK-SGDBPEU	SAFETY GATE KIT DOUBLE GATE RH	1
C	SGA616GV	SGA616GV DOUBLE SAFETY GATE D-BEND	2
D	SGEUMDDGV	CUT TUBE $\phi 33,7 \times 3,2$ EN10255 @ 818,0 GALVANISED	2
E	MIDDLE TUBE FIXING PACK	H.D.G. SPLIT CLAMP TYPE 2101866 C/W SS BUTTON HEAD SCREWS, COUPLER NUT & TOOTHED WASHERS	4
F	SGK-SGDBREU	SAFETY GATE KIT DOUBLE GATE LH	1
G	001560010	15-6 90° ELBOW	4

APPLICATION

Spring Loaded, self-closing double safety gate. Manufactured from steel to EN 10255. 33.7mm diameter tube x 3.2mm wall thickness to meet requirements of EN 13374 & EN 14122:2016. Complete with fixing pack.

COMPONENT SPECIFICATION

Material	Mild Steel, Malleable Cast Iron
Finish	Galvanised to BS EN ISO 1461 ASTM A53
Weight	31kg

Issue Date: 25/07/2017

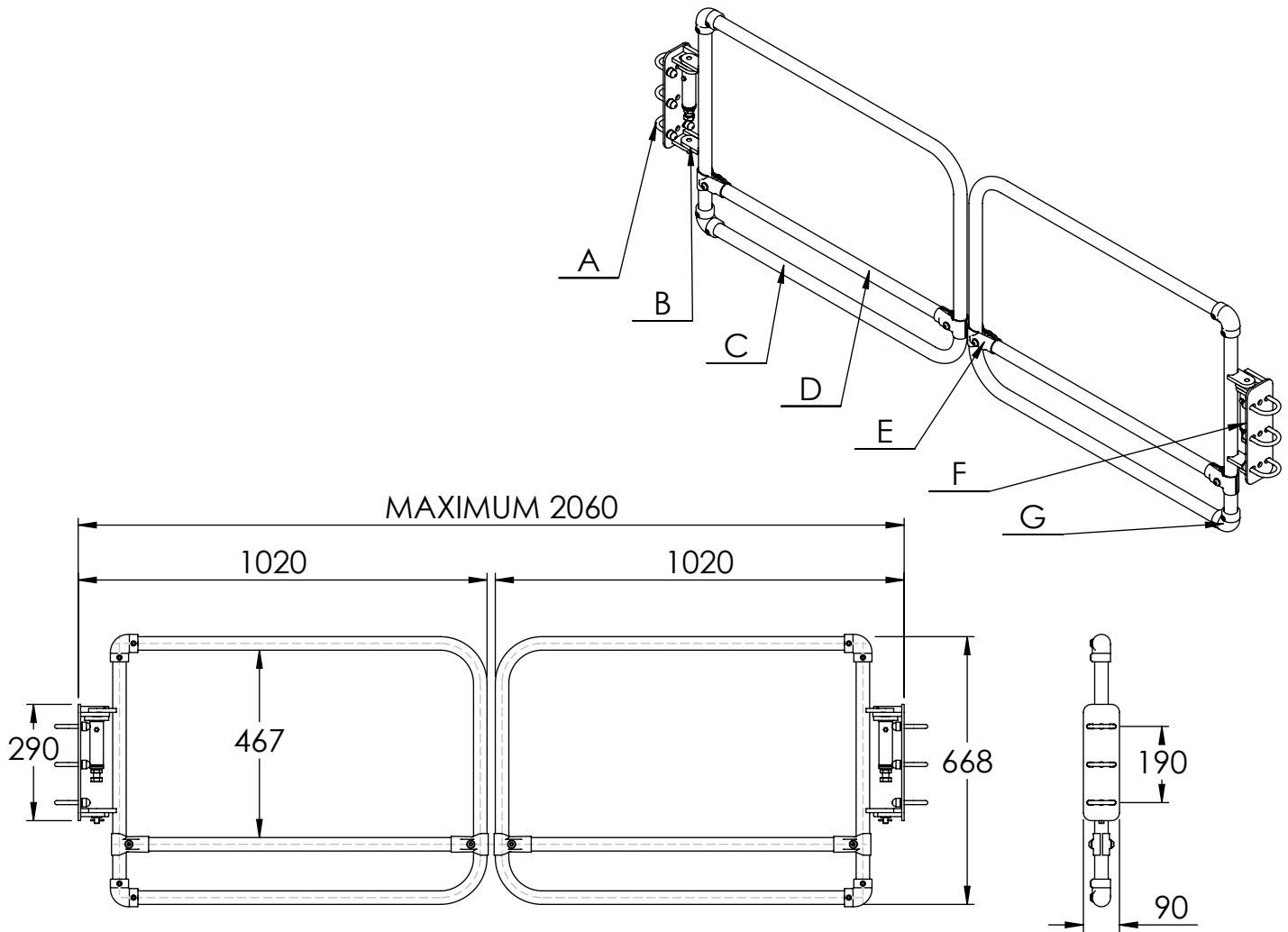
Issue No: 2

Technical Datasheet No: 0024

EUROPEAN POWDER COATED DOUBLE GATE ASSEMBLY

Part No: SGEUDP2PC

Short Part No: SGEUDP2PC



ITEM NO.	PART NO.	DESCRIPTION	QTY.
A	SGEUFXPK2	SGEUFXPK2 - DOUBLE SAFETY GATE EUROPEAN FIXING PACK 1	2
B	SGK-SGDBPEU	SAFETY GATE KIT DOUBLE GATE RH	1
C	SGA616PC	SGA616PC DOUBLE SAFETY GATE D-BEND	2
D	SGEUMDDPC	CUT TUBE $\phi 33,7 \times 3,2$ EN10255 @ 818,0 POWDER COATED	2
E	MIDDLE TUBE FIXING PACK	H.D.G. SPLIT CLAMP TYPE 2101866 C/W SS BUTTON HEAD SCREWS, COUPLER NUT & TOOTHED WASHERS	4
F	SGK-SGDBREU	SAFETY GATE KIT DOUBLE GATE LH	1
G	001560010	15-6 90° ELBOW	4

APPLICATION

Spring Loaded, self-closing double safety gate. Manufactured from steel to EN 10255. 33.7mm diameter tube x 3.2mm wall thickness to meet requirements of EN 13374 & EN 14122:2016. Complete with fixing pack.

COMPONENT SPECIFICATION

Material	Mild Steel, Malleable Cast Iron
Finish	Powder Coated to EN 13438, Galvanised to BS EN ISO 1461 ASTM A53
Weight	31kg

Issue Date: 25/07/2017

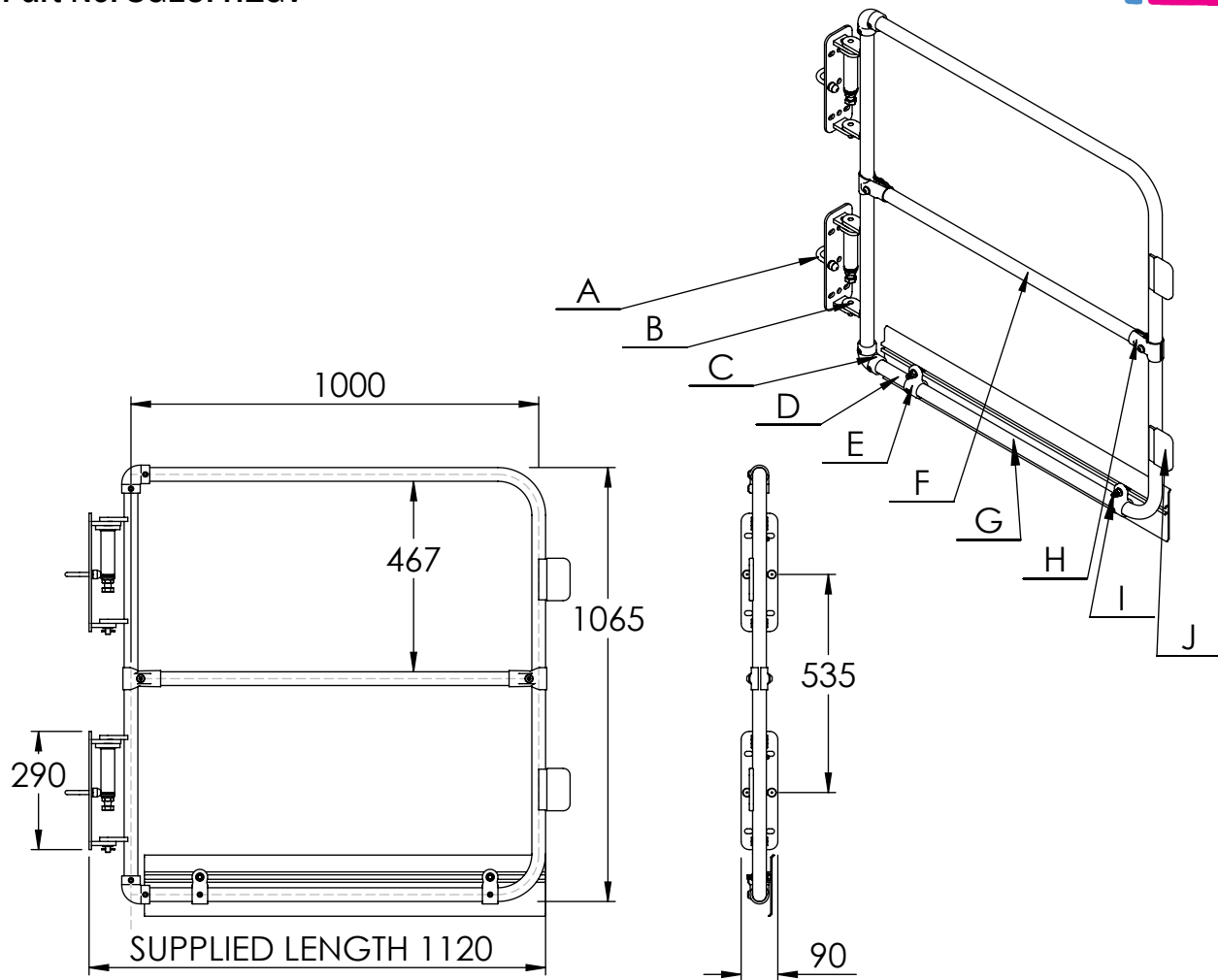
Issue No: 2

Technical Datasheet No: 0056

EUROPEAN FULL HEIGHT GATE ASSEMBLY - GALVANISED

Part No: SGEUFH1GV

Short Part No: SGEUFH1GV



ITEM NO.	PART NO.	DESCRIPTION	QTY.
A	SGEUFXPK1	SAFETY GATE EUROPEAN FIXING PACK	1
B	SGK-SGEUFH1	SAFETY GATE KIT FOR HEIGHT GATE SGEUFH1	1
C	001560010	15-6 90° ELBOW	2
D	SGAS018GV	FULL HEIGHT GATE 3 'D' BEND WELDED ASSEMBLY - GALVANISED	1
E	M05060010	M50-6 MALE SINGLE SWIVEL SOCKET MEMBER	2
F	SGEUMIDGV	CUT TUBE Ø34 x EN10255 @ 918	1
G	SGSD037AL	EUROPEAN FULL HEIGHT GATE TOEBOARD	1
H	MIDDLE TUBE FIXING PACK	H.D.G. SPLIT CLAMP TYPE 2101866 C/W SS BUTTON HEAD SCREWS, COUPLER NUT & TOOTHED WASHERS	2
I	TOEBORD FIXINGS	M10 x 50 HEX. HEAD SCREW, M10 FLAT WASHER M10 NYLOC NUT GRADE A4 STAINLESS STEEL	2
J	SGSD002PL	SLAM PLATE COVER	2

APPLICATION

KEE GATE has been designed to be fully adjustable and can accommodate openings up to 1m (USA 18" - 48") for single gate and 1.8m (70.86") for the double gate. Connecting the "KEE GATE" to the supporting structure/post/ stringer is simple via using the U-bolt which can provide connection around any flat, square or tubular stringer from 33.7 - 48.3mm (1" - 1.5").

COMPONENT SPECIFICATION

Material	Mild Steel, Malleable Cast Iron, Rubber
Finish	Galvanised steel to BS EN ISO 1461, Natural
Weight	21,5kg

Issue Date: 21/11/2017

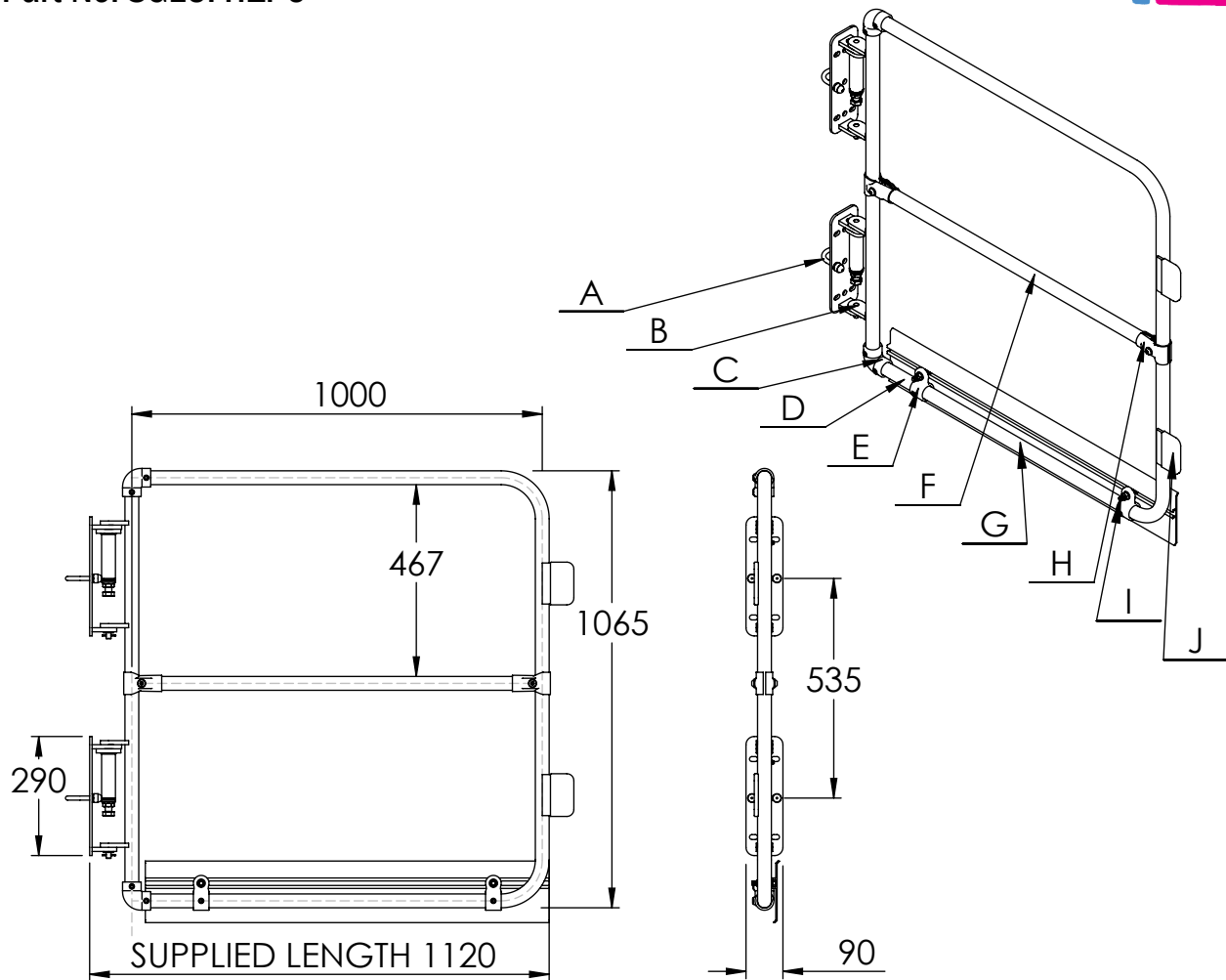
Issue No: 1

Technical Datasheet No: 0057

EUROPEAN FULL HEIGHT GATE ASSEMBLY - POWDER COATED

Part No: SGEUFH1PC

Short Part No: SGEUFH1PC



ITEM NO.	PART NO.	DESCRIPTION	QTY.
A	SGEUFXPK1	SAFETY GATE EUROPEAN FIXING PACK	1
B	SGK-SGEUFH1	SAFETY GATE KIT FOR HEIGHT GATE SGEUFH1	1
C	001560010	15-6 90° ELBOW	2
D	SGAS010PC	FULL HEIGHT GATE 'D' BEND WELDED ASSEMBLY - POWDER COATED	1
E	M05060010	M50-6 MALE SINGLE SWIVEL SOCKET MEMBER	2
F	SGEUMIDPC	CUT TUBE Ø34 x EN10255 @ 918	1
G	SGSD037AL	EUROPEAN FULL HEIGHT GATE TOEBOARD	1
H	MIDDLE TUBE FIXING PACK	H.D.G. SPLIT CLAMP TYPE 2101866 C/W SS BUTTON HEAD SCREWS, COUPLER NUT & TOOTHED WASHERS	2
I	TOEBORD FIXINGS	M10 x 50 HEX. HEAD SCREW, M10 FLAT WASHER M10 NYLOC NUT GRADE A4 STAINLESS STEEL	2
J	SGSD002PL	SLAM PLATE COVER	2

APPLICATION

KEE GATE has been designed to be fully adjustable and can accommodate openings up to 1m (USA 18" - 48") for single gate and 1.8m (70.86") for the double gate. Connecting the "KEE GATE" to the supporting structure/post/ stringer is simple via using the U-bolt which can provide connection around any flat, square or tubular stringer from 33.7 - 48.3mm (1" - 1.5").

COMPONENT SPECIFICATION

Material	Mild Steel, Malleable Cast Iron, Rubber
Finish	Powder Coated Finish to EN 13438, Galvanised steel to BS EN ISO 1461, Natural
Weight	21,5kg

Issue Date: 21/11/2017

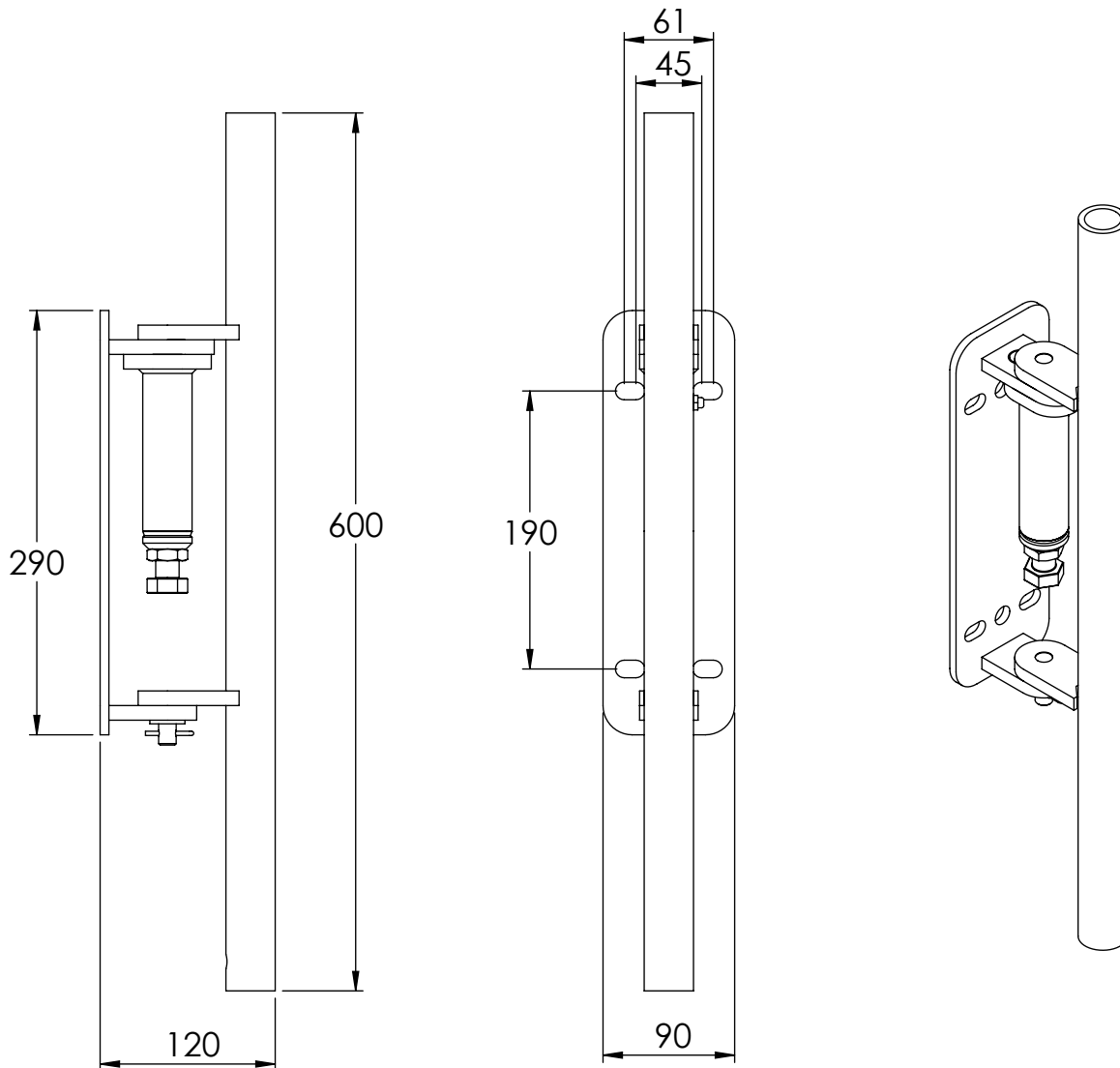
Issue No: 1

Technical Datasheet No: 0027

SAFETY GATE KIT FOR SGEU600

Part No: SGK-SGEU600

Short Part No: SGK-SGEU600



APPLICATION

Spring Loaded, self-closing safety gate kit for Single EU Gate

COMPONENT SPECIFICATION

Material	Mild Steel 070M20
Finish	Galvanised to BS EN ISO 1461 ASTM A53
Weight	4.58kg

Issue Date: 19/09/2017

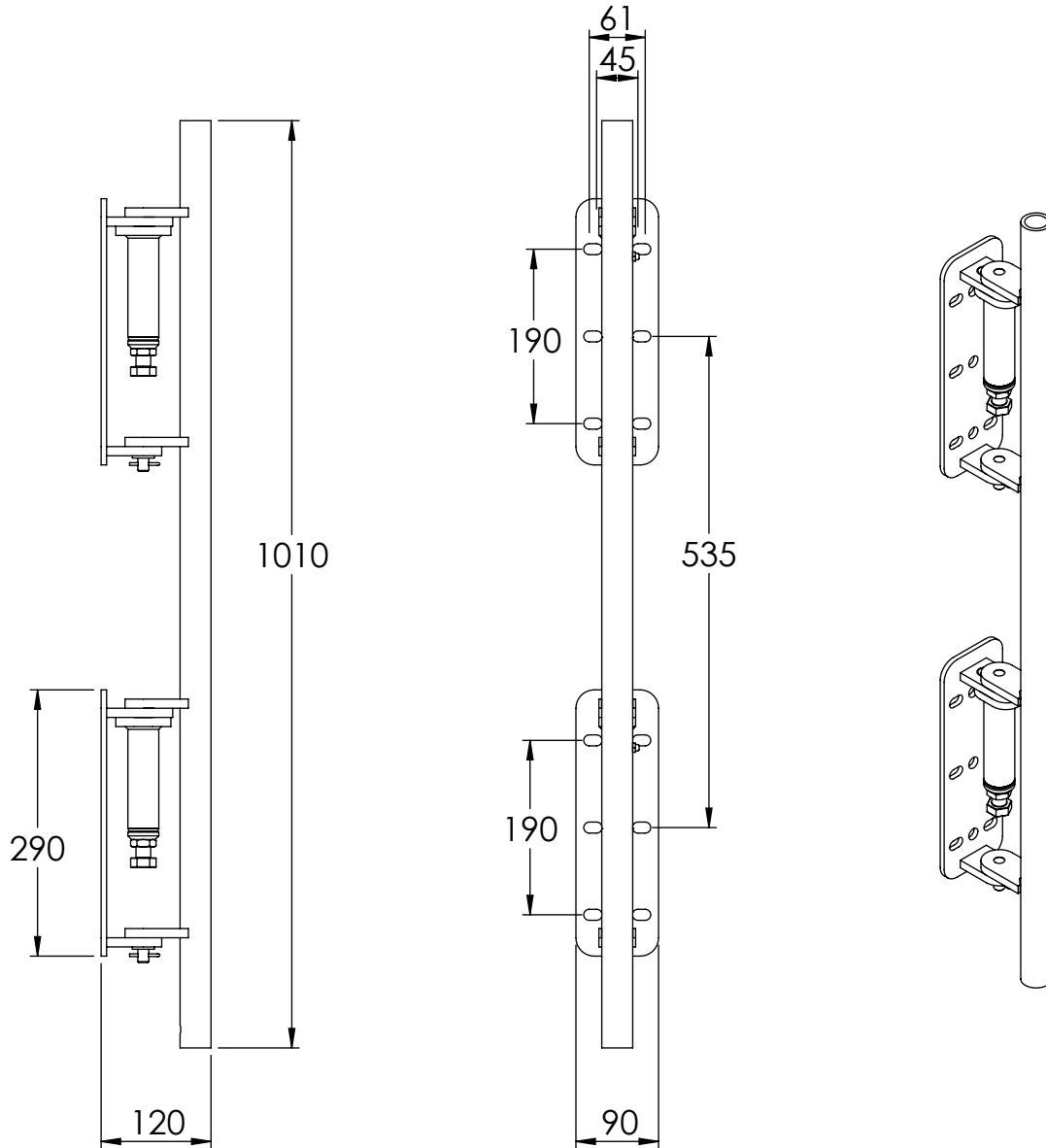
Issue No: 3

Technical Datasheet No: 0058

SAFETY GATE KIT FOR HEIGHT GATE SGEUFH1

Part No: SGK-SGEUFH1

Short Part No: SGK-SGEUFH1



APPLICATION

Spring Loaded, self-closing safety gate kit for Height Gate.

COMPONENT SPECIFICATION

Material	Mild Steel 070M20
Finish	Galvanised to BS EN ISO 1461 ASTM A53
Weight	8.50kg

Issue Date: 21/11/2017

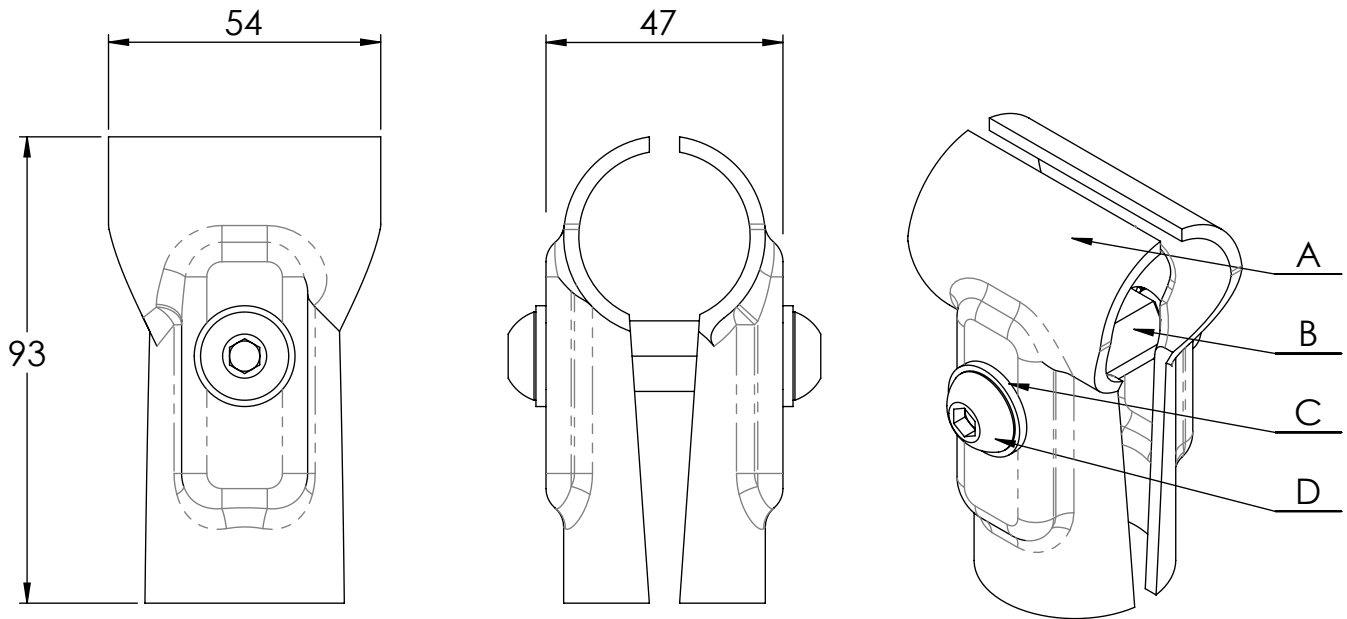
Issue No: 1

Technical Datasheet No: 0044

H.D.G. SPLIT CLAMP TYPE 2101866 C/W SS BUTTON HEAD SCREWS,
COUPLER NUT & TOOTHED WASHERS

Part No: MIDDLE TUBE FIXING PACK

Short Part No: MIDDLE TUBE FIXING PACK



ITEM NO.	PART NO.	DESCRIPTION	QTY.
A	SGTCLAMP25	BUISKLEM H.D.G. SPLIT CLAMP TYPE 2101866	2
B	M1030CNSSA4	M10 HEX COUPLER	1
C	M10SPWSSA4	M10 INTERNAL TOOTHED WASHER DIN 6797 J	2
D	M1020DHBSSA4	M10x20 BUTTON HEAD SCREW ISO 7380	2

APPLICATION

Fixing pack for middle tube - EU gate SGEU600GV. 2 Sets per gate required.

COMPONENT SPECIFICATION

Material	Mild Steel
Finish	Galvanised to BS EN ISO 1461 ASTM A53, HDG
Weight	0.31kg

Issue Date: 20/06/2017

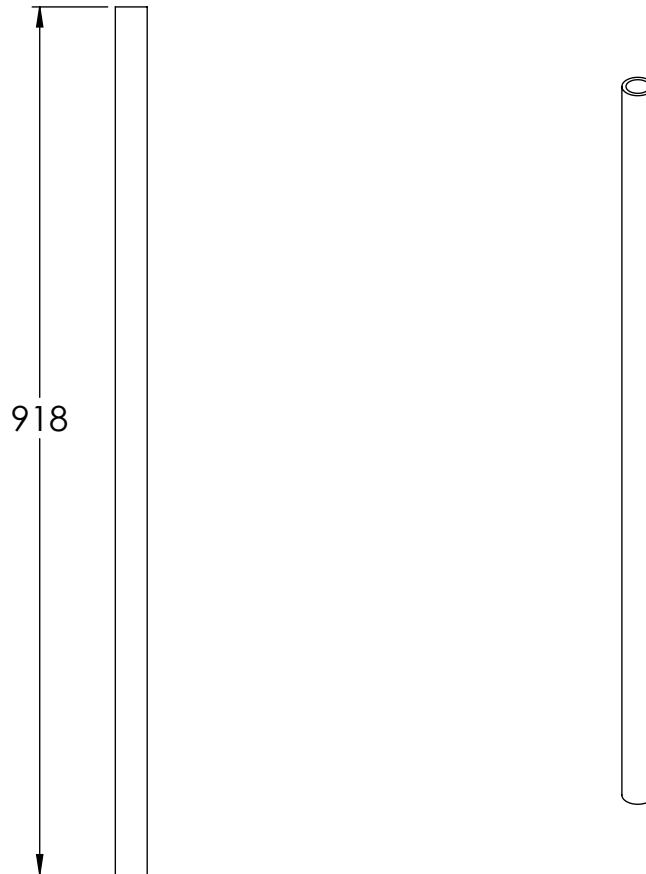
Issue No: 1

Technical Datasheet No: 0045

CUT TUBE ϕ 33,7 x EN10255 @ 918,0

Part No: SGEUMIDGV

Short Part No: SGEUMIDGV



APPLICATION

Galvanised middle tube for SGEUDP2GV single EU gate.

COMPONENT SPECIFICATION

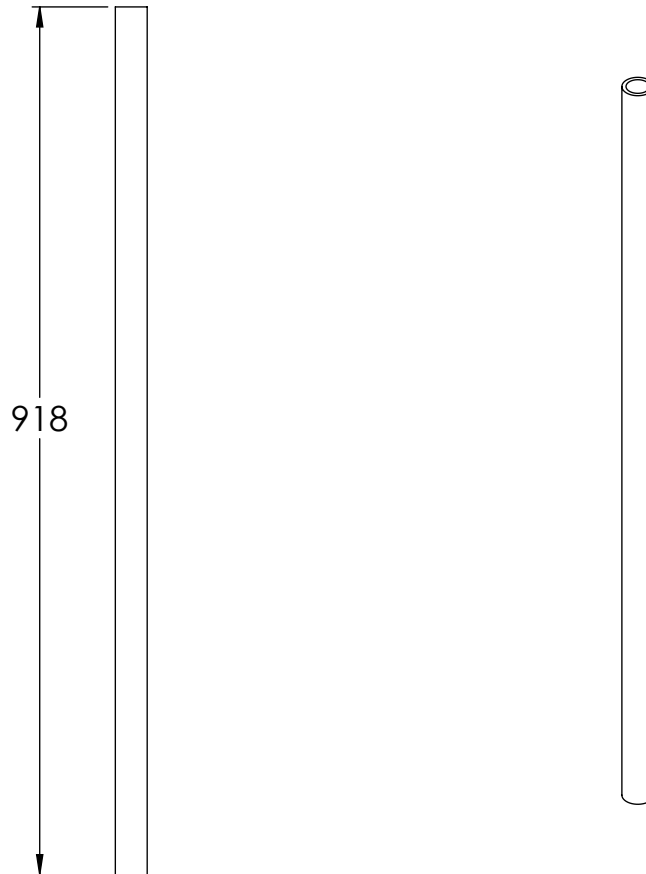
Material	ϕ 33,70mm x 3,2mm EN10255 SELF-COLOUR
Finish	Galvanised to BS EN ISO 1461 ASTM A53
Weight	2.87kg

Technical Datasheet No: 0046

CUT TUBE ϕ 33,7 x EN10255 @ 918,0

Part No: SGEUMIDPC

Short Part No: SGEUMIDPC



APPLICATION

Powder Coated middle tube for SGEUDP2PC single EU gate.

COMPONENT SPECIFICATION

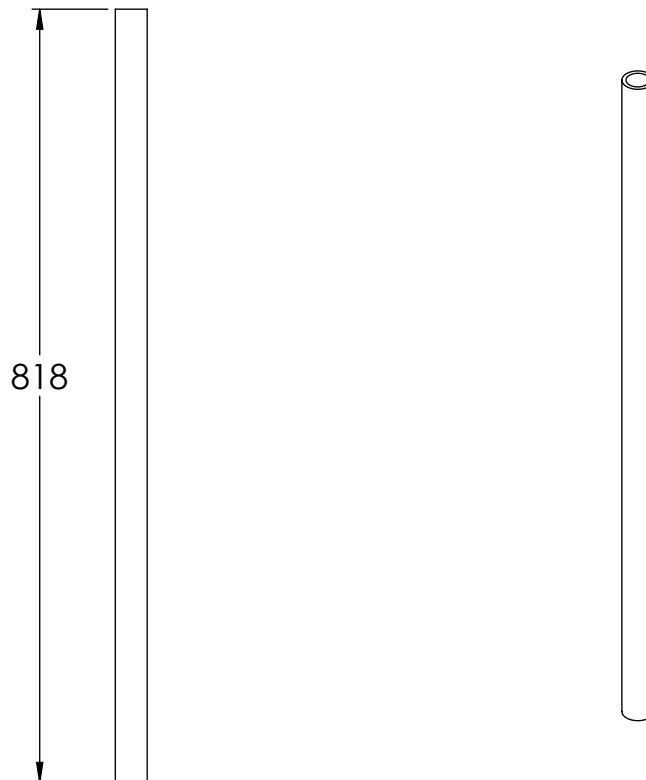
Material	ϕ 33,70mm x 3,2mm EN10255 SELF-COLOUR
Finish	Powder Coated to EN 13438
Weight	2.87kg

Technical Datasheet No: 0047

CUT TUBE ϕ 33,7 x 3,2 EN10255 @ 818,0 GALVANISED

Part No: SGEUMDDGV

Short Part No: SGEUMDDGV



APPLICATION

Galvanised middle tube for SGEUDP2GV single EU gate.

COMPONENT SPECIFICATION

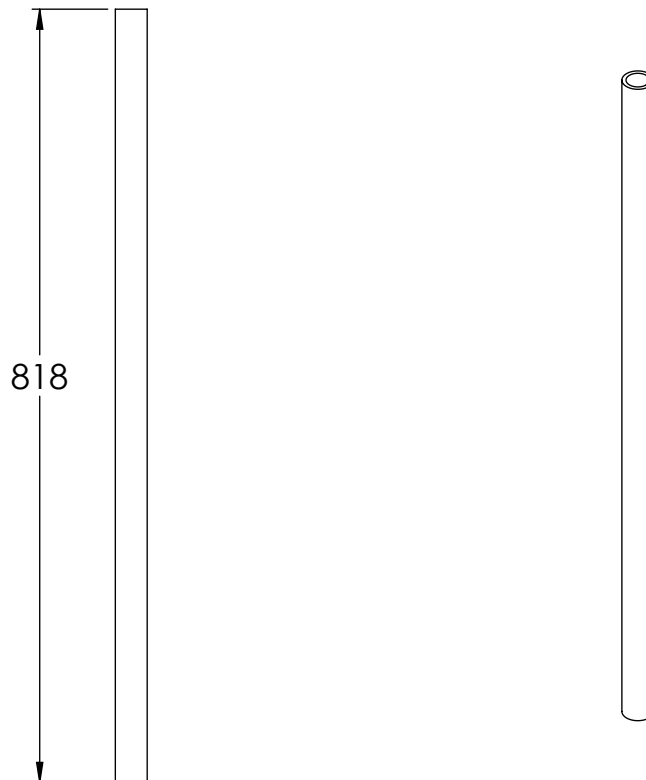
Material	ϕ 33,70mm x 3,2mm EN10255 SELF-COLOUR
Finish	Galvanised to BS EN ISO 1461 ASTM A53
Weight	2.56kg

Technical Datasheet No: 0048

CUT TUBE ϕ 33,7 x 3,2 EN10255 @ 818,0 GALVANISED

Part No: SGEUMDDGV

Short Part No: SGEUMDDGV



APPLICATION

Galvanised middle tube for SGEUDP2GV single EU gate.

COMPONENT SPECIFICATION

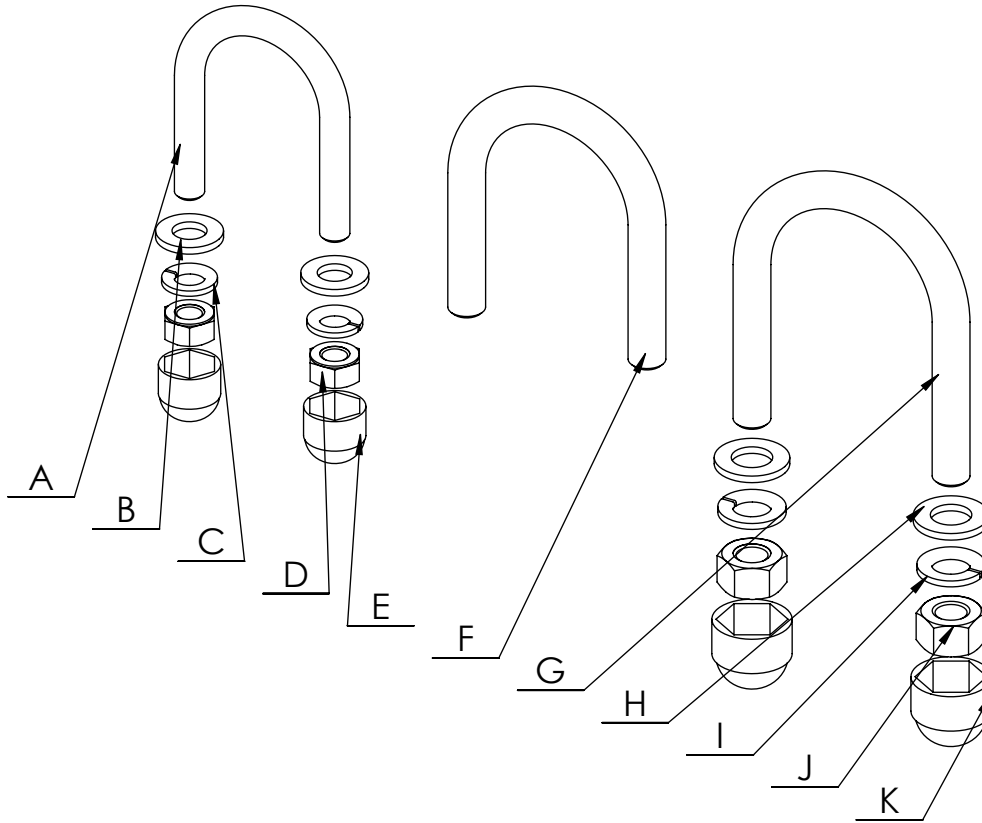
Material	ϕ 33,70mm x 3,2mm EN10255 SELF-COLOUR
Finish	Galvanised to BS EN ISO 1461 ASTM A53
Weight	2.56kg

Technical Datasheet No: 0049

SAFETY GATE EUROPEAN FIXING PACK 1

Part No: SGEUFXP1

Short Part No: SGEUFXP1



ITEM NO.	DESCRIPTION	QTY.
A	M8 U BOLT FOR SIZE 6 TUBE	2
B	M8 HDG FLAT WASHER	4
C	M8 HDG SPRING WASHER	4
D	M8 HDG FULL NUT	4
E	M8 NUT CAP	4
F	M10 U BOLT FOR SIZE 7 TUBE	2
H	M10 HDG FLAT WASHER	4
G	M10 U BOLT FOR SIZE 8 TUBE	2
I	M10 HDG SPRING WASHER	4
J	M10 HDG FULL NUT	4
K	M10 NUT CAP	4

APPLICATION

Supplied for the European market to fit posts 33.7mm, 42.4mm and 48.3 mm diameter. Fixing pack contains 3No U Bolts for each size complete with M8 and M10 nuts and washers.

COMPONENT SPECIFICATION

Material	Mild Steel Q235B
Finish	Galvanised steel to BS EN ISO 1461
Weight	0,864kg (1lb 14oz)

Issue Date: 20/07/2017

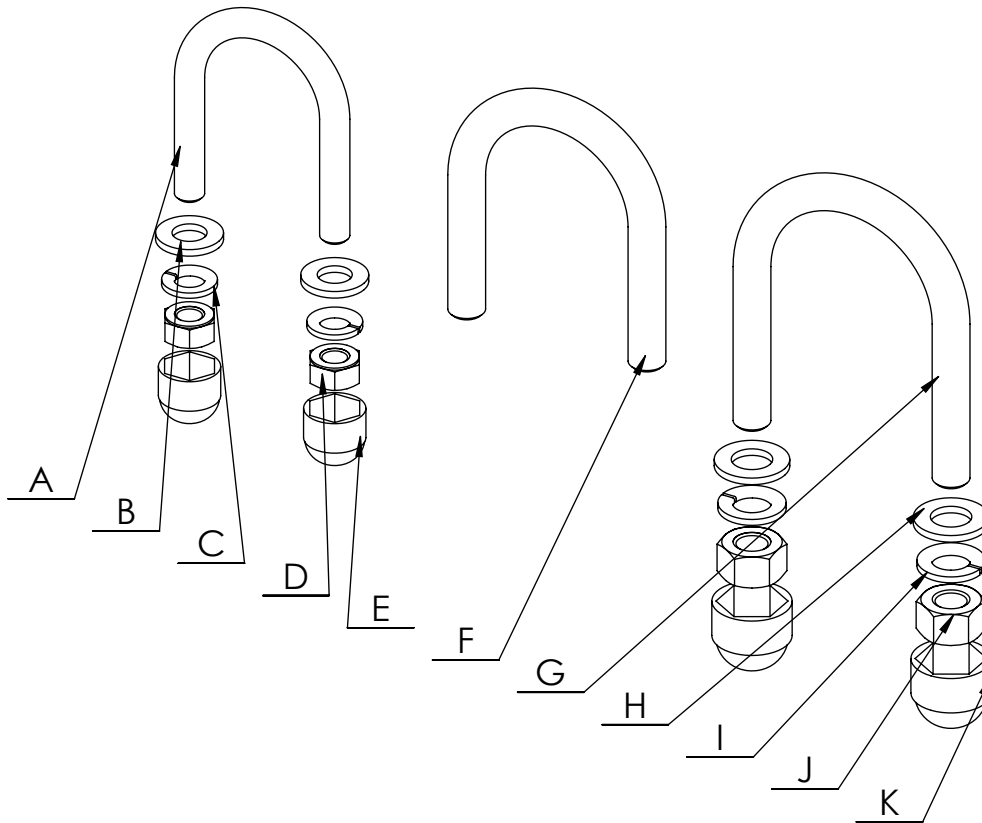
Issue No: 1

Technical Datasheet No: 0050

DOUBLE SAFETY GATE EUROPEAN FIXING PACK 1

Part No: SGEUFXPK2

Short Part No: SGEUFXPK2



ITEM NO.	DESCRIPTION	QTY.
A	M8 U BOLT FOR SIZE 6 TUBE	3
B	M8 HDG FLAT WASHER	6
C	M8 HDG SPRING WASHER	6
D	M8 HDG FULL NUT	6
E	M8 NUT CAP	6
F	M10 U BOLT FOR SIZE 7 TUBE	3
H	M10 HDG FLAT WASHER	6
G	M10 U BOLT FOR SIZE 8 TUBE	3
I	M10 HDG SPRING WASHER	6
J	M10 HDG FULL NUT	6
K	M10 NUT CAP	6

APPLICATION

Supplied for the European market to fit posts 33.7mm, 42.4mm and 48.3 mm diameter. Fixing pack contains 3No U Bolts for each size complete with M8 and M10 nuts and washers.

COMPONENT SPECIFICATION

Material	Mild Steel Q235B
Finish	Galvanised steel to BS EN ISO 1461
Weight	1,3kg (2lb 14oz)

Issue Date: 20/07/2017

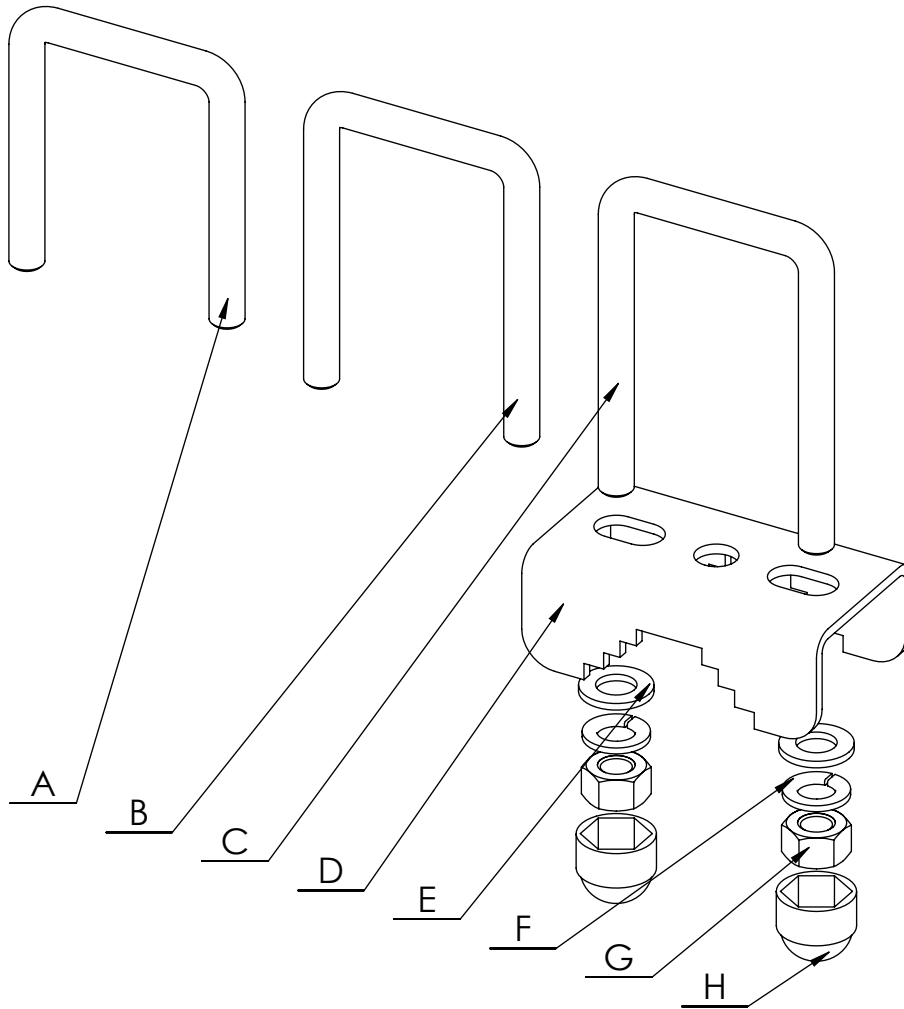
Issue No: 1

Technical Datasheet No: 0051

SAFETY GATE NORTH AMERICAN FIXING PACK 1

Part No: SGNAFXPK1

Short Part No: SGNAFXPK1



ITEM NO.	DESCRIPTION	QTY.
A	3/8" C BOLT FOR SIZE 6 TUBE	2
B	3/8" C BOLT FOR SIZE 7 TUBE	2
C	3/8" C BOLT FOR SIZE 8 TUBE	2
D	SAFETY CLAMP - GALVANISED	2
E	3/8" HDG FLAT WASHER	4
F	3/8" HDG SPRING WASHER	4
G	3/8" HDG FULL NUT	4
H	3/8" NUT CAP	4

APPLICATION

Supplied for the USA market to fit posts 1.0", 1.25" and 1.5" diameter. Fixing pack contains 3No U Bolts for each size complete with 0.3125" and 0.375" nuts and washers.

COMPONENT SPECIFICATION

Material	Mild Steel Q235B
Finish	Galvanised steel to ASTM A53
Weight	2,16kg (4lb 12oz)

Issue Date: 20/07/2017

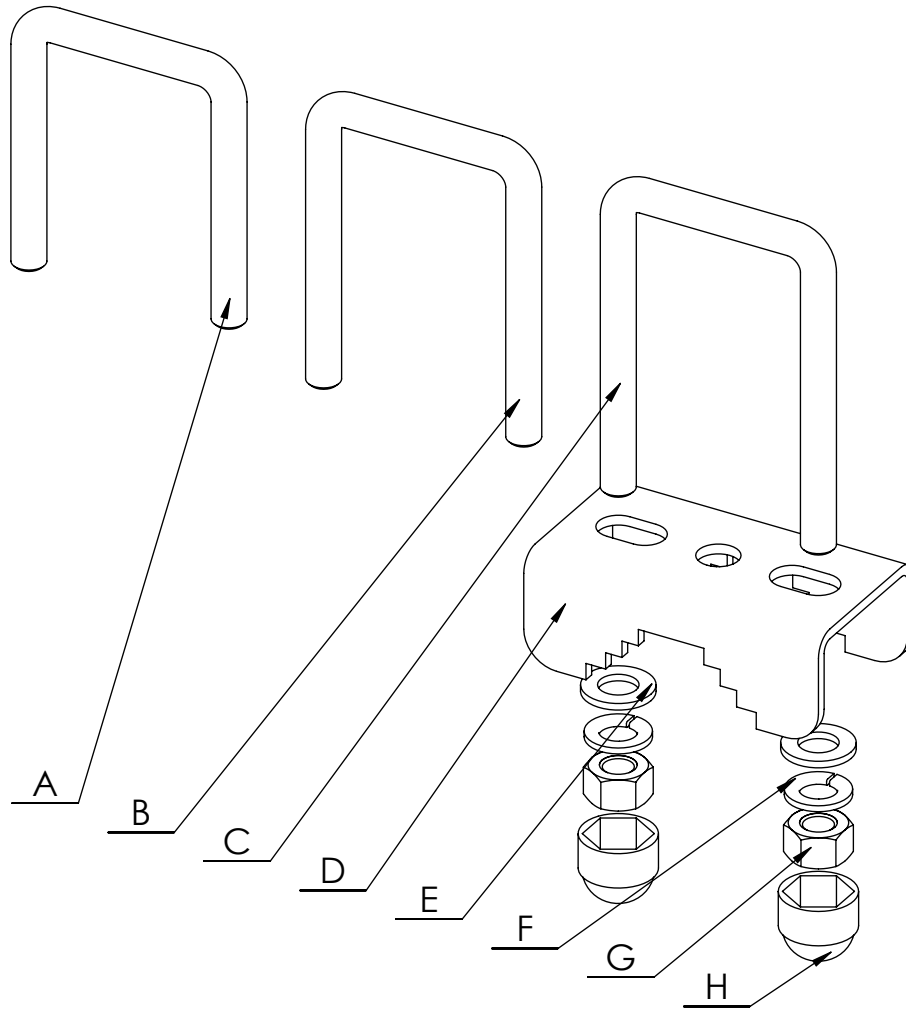
Issue No: 1

Technical Datasheet No: 0052

DOUBLE SAFETY GATE NORTH AMERICAN FIXING PACK 1

Part No: SGNAFXPK2

Short Part No: SGNAFXPK2



ITEM NO.	DESCRIPTION	QTY.
A	3/8" C BOLT FOR SIZE 6 TUBE	3
B	3/8" C BOLT FOR SIZE 7 TUBE	3
C	3/8" C BOLT FOR SIZE 8 TUBE	3
D	SAFETY CLAMP - GALVANISED	3
E	3/8" HDG FLAT WASHER	6
F	3/8" HDG SPRING WASHER	6
G	3/8" HDG FULL NUT	6
H	3/8" NUT CAP	6

APPLICATION

Supplied for the USA market to fit posts 1.0", 1.25" and 1.5" diameter. Fixing pack contains 3No U Bolts for each size complete with 0.3125" and 0.375" nuts and washers.

COMPONENT SPECIFICATION

Material	Mild Steel Q235B
Finish	Galvanised steel to ASTM A53
Weight	1,44kg (3lb 3oz)

Issue Date: 20/07/2017

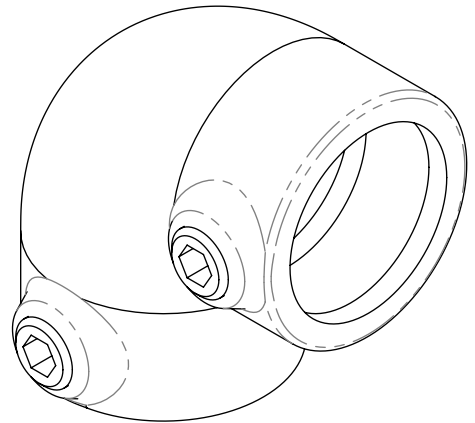
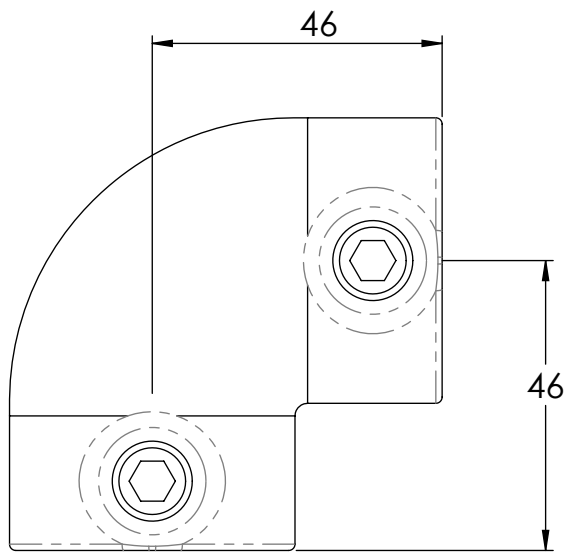
Issue No: 1

Technical Datasheet No: 0053

15-6 90° ELBOW

Part No: 001560010

Short Part No: 15-6



APPLICATION

This provides the means of dealing with corners and changes in level.

COMPONENT SPECIFICATION

Material	MALLEABLE CAST IRON TO KKMS/0100
Finish	Galvanised to BS EN ISO 1461
Weight	0.36kg

Issue Date: 20/07/2017

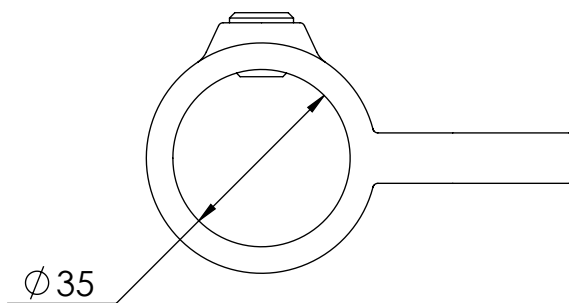
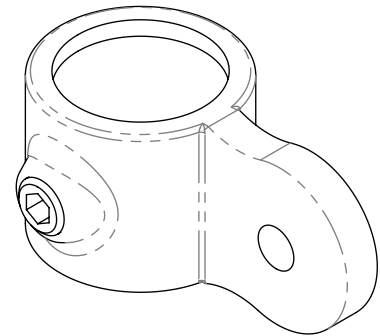
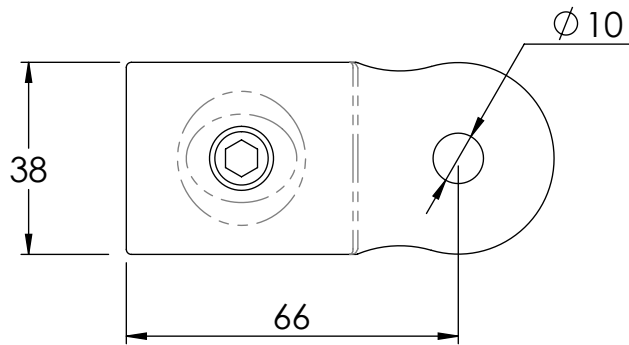
Issue No: 1

Technical Datasheet No: 0000

M50-6 MALE SINGLE SWIVEL SOCKET MEMBER

Part No: M05060010

Short Part No: M50-6



APPLICATION

Used to fix toeboard to the bottom of the full height gate.

COMPONENT SPECIFICATION

Material	MALLEABLE CAST IRON TO KKMS/0100
Finish	Galvanised to BS EN ISO 1461
Weight	0.27kg

Issue Date: 21/09/2017

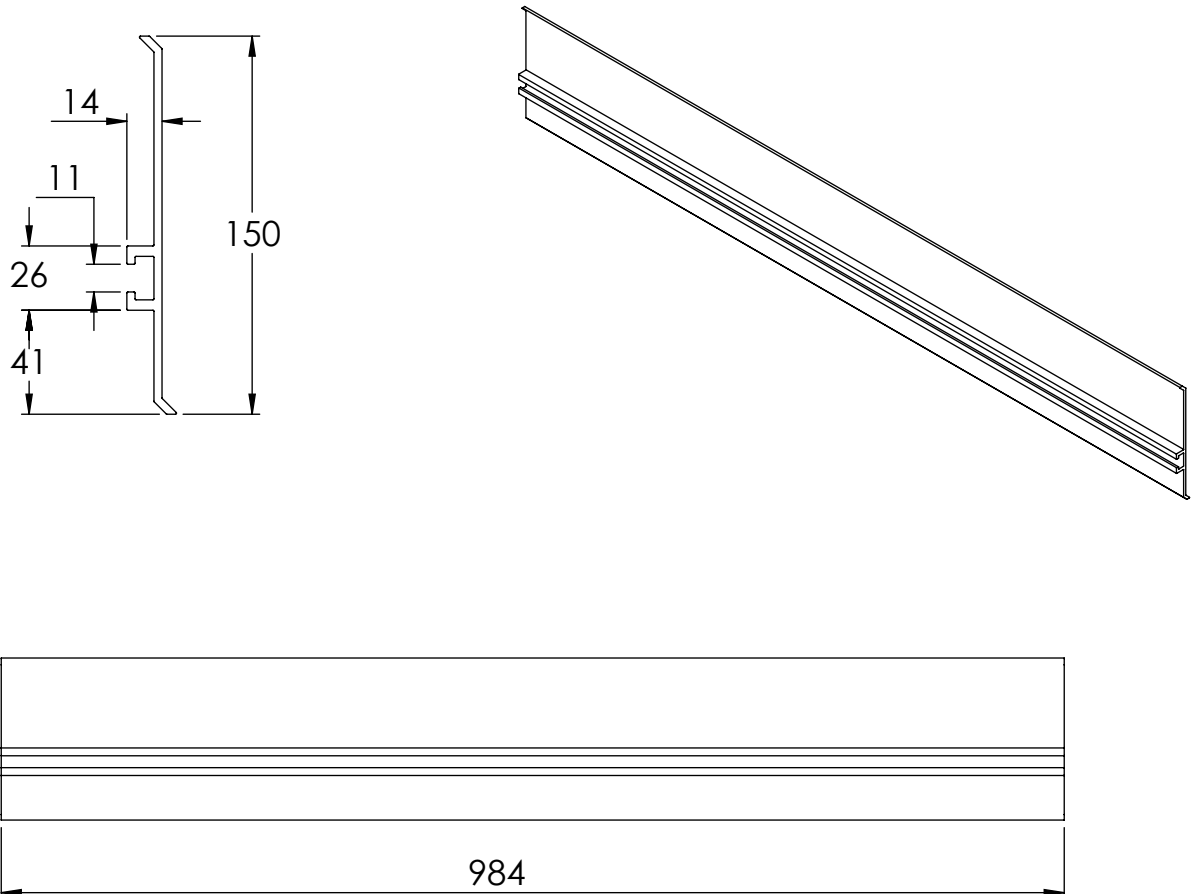
Issue No: 1

Technical Datasheet No: 0061

EUROPEAN FULL HEIGHT GATE TOEBOARD

Part No: SGSD037AL

Short Part No: SGSD037AL



APPLICATION

Toeboard is required on a railing whenever it would be potentially hazardous for an object to fall from the edge. A channel in the Toeboard accepts the bolt head of the mounting hardware, allowing ease of placement. It can be supplied anodised if required.

COMPONENT SPECIFICATION

Material	ALUMINIUM ALLOY 6063-T6
Finish	Natural
Weight	1,63/M

Issue Date: 21/11/2017

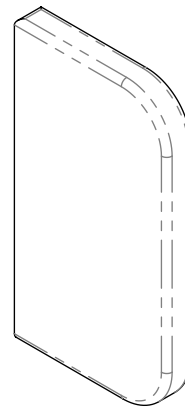
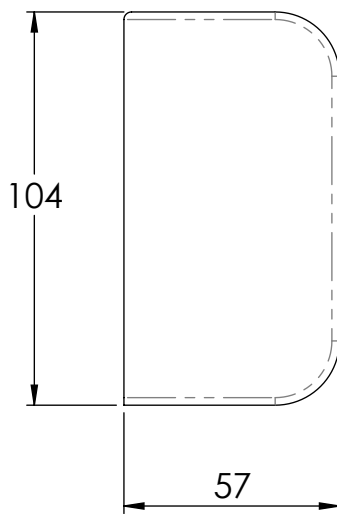
Issue No: 1

Technical Datasheet No: 0054

SLAM PLATE COVER

Part No: SGSD002PL

Short Part No: SGSD002PL



APPLICATION

Slam plate rubber cover allows silent gate closing.

COMPONENT SPECIFICATION

Material	Molded Plastisol 701
Finish	Natural
Weight	0.02

Issue Date: 20/07/2017

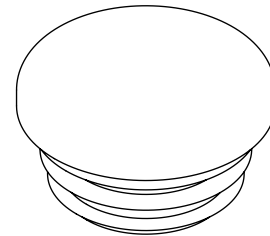
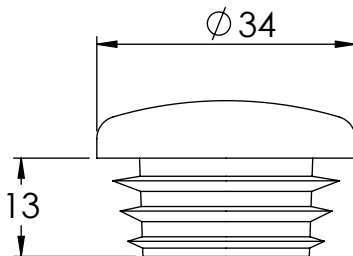
Issue No: 1

Technical Datasheet No: 0055

77-6 PLASTIC PLUG

Part No: 007760040

Short Part No: 77-6



APPLICATION

This component is fitted to the end of the US single gate to prevent water ingress.

COMPONENT SPECIFICATION

Material	HDPE
Finish	Natural
Weight	0.007kg

Issue Date: 20/07/2017

Issue No: 1