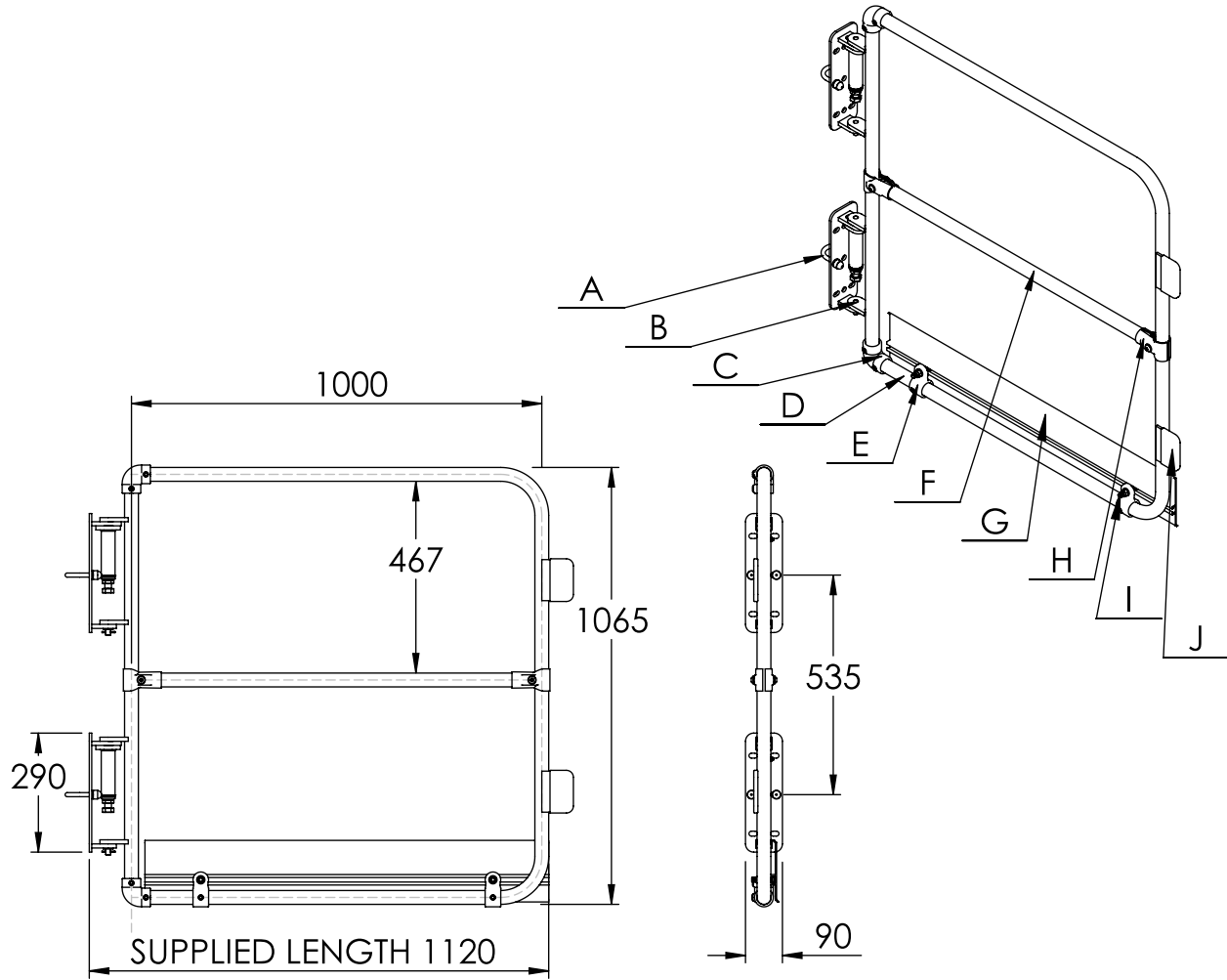


Technical Datasheet No: 0056

EUROPEAN FULL HEIGHT GATE ASSEMBLY - GALVANISED

Part No: SGEUFH1GV

Short Part No: SGEUFH1GV



ITEM NO.	PART NO.	DESCRIPTION	QTY.
A	SGEUFXPK1	SAFETY GATE EUROPEAN FIXING PACK	1
B	SGK-SGEUFH1	SAFETY GATE KIT FOR HEIGHT GATE SGEUFH1	1
C	001560010	1.5-6 90° ELBOW	2
D	SGAS018GV	FULL HEIGHT GATE 3 'D' BEND WELDED ASSEMBLY - GALVANISED	1
E	M05060010	M50-6 MALE SINGLE SWIVEL SOCKET MEMBER	2
F	SGEUMIDGV	CUT TUBE Ø34 x EN10255 @ 918	1
G	SGSD037AL	EUROPEAN FULL HEIGHT GATE TOEBORD	1
H	MIDDLE TUBE FIXING PACK	H.D.G. SPLIT CLAMP TYPE 2101866 C/W SS BUTTON HEAD SCREWS, COUPLER NUT & TOOTHED WASHERS	2
I	TOEBORD FIXINGS	M10 x 50 HEX. HEAD SCREW, M10 FLAT WASHER M10 NYLOC NUT GRADE A4 STAINLESS STEEL	2
J	SGSD002PL	SLAM PLATE COVER	2

APPLICATION

KEE GATE has been designed to be fully adjustable and can accommodate openings up to 1m (USA 18" - 48") for single gate and 1.8m (70.86") for the double gate. Connecting the "KEE GATE" to the supporting structure/post/ stringer is simple via using the U-bolt which can provide connection around any flat, square or tubular stringer from 33.7 - 48.3mm (1" - 1.5").

COMPONENT SPECIFICATION

Material	Mild Steel, Malleable Cast Iron, Rubber
Finish	Galvanised steel to BS EN ISO 1461, Natural
Weight	21,5kg

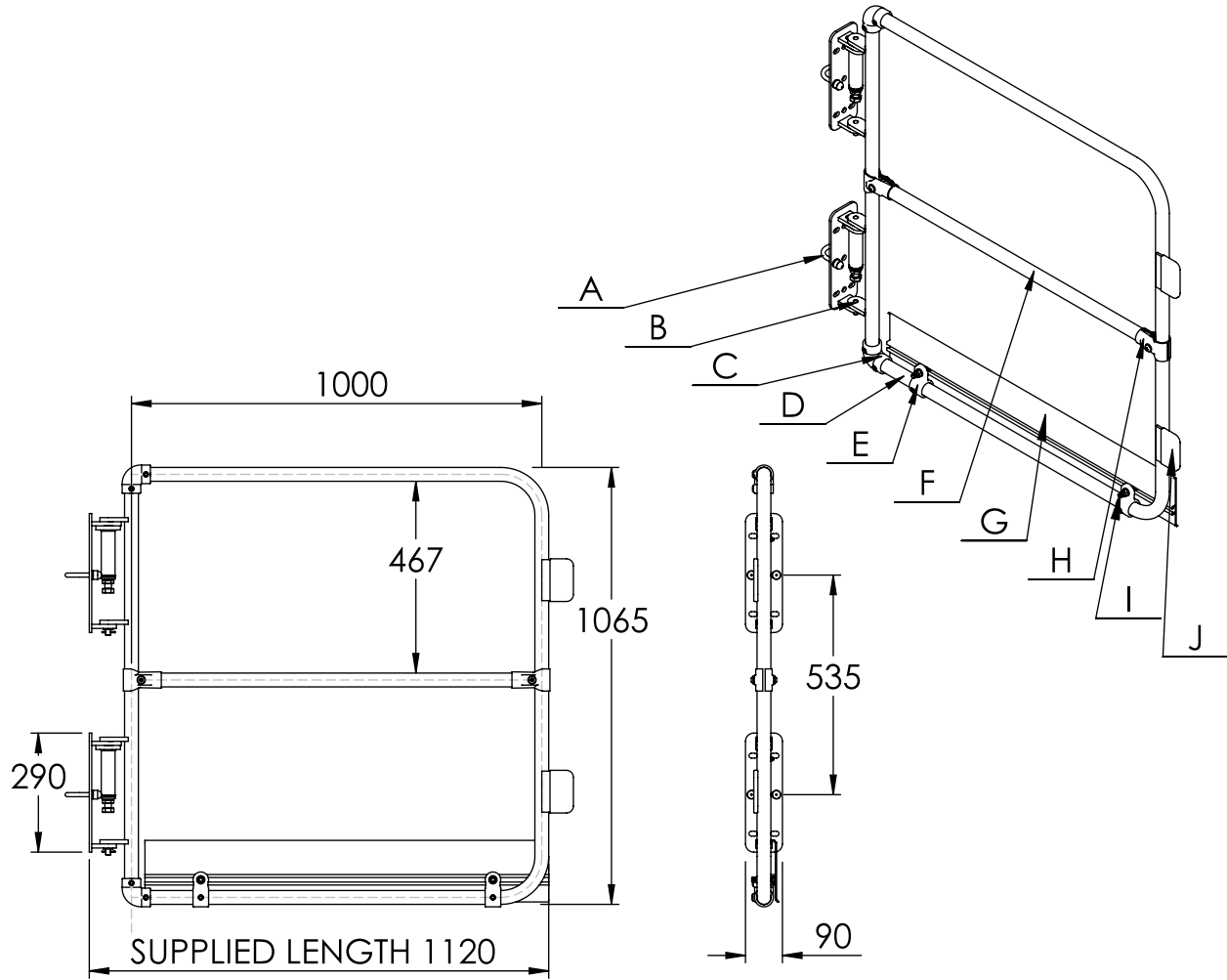
Technical Datasheet No: 0057



EUROPEAN FULL HEIGHT GATE ASSEMBLY - POWDER COATED

Part No: SGEUFH1PC

Short Part No: SGEUFH1PC



ITEM NO.	PART NO.	DESCRIPTION	QTY.
A	SGEUFXPK1	SAFETY GATE EUROPEAN FIXING PACK	1
B	SGK-SGEUFH1	SAFETY GATE KIT FOR HEIGHT GATE SGEUFH1	1
C	001560010	15-6 90° ELBOW	2
D	SGAS010PC	FULL HEIGHT GATE 'D' BEND WELDED ASSEMBLY - POWDER COATED	1
E	M05060010	M50-6 MALE SINGLE SWIVEL SOCKET MEMBER	2
F	SGEUMIDPC	CUT TUBE Ø34 x EN10255 @ 918	1
G	SGSD037AL	EUROPEAN FULL HEIGHT GATE TOEBOARD	1
H	MIDDLE TUBE FIXING PACK	H.D.G. SPLIT CLAMP TYPE 2101866 C/W SS BUTTON HEAD SCREWS, COUPLER NUT & TOOTHED WASHERS	2
I	TOEBORD FIXINGS	M10 x 50 HEX. HEAD SCREW, M10 FLAT WASHER M10 NYLOC NUT GRADE A4 STAINLESS STEEL	2
J	SGSD002PL	SLAM PLATE COVER	2

APPLICATION

KEE GATE has been designed to be fully adjustable and can accommodate openings up to 1m (USA 18" - 48") for single gate and 1.8m (70.86") for the double gate. Connecting the "KEE GATE" to the supporting structure/post/ stringer is simple via using the U-bolt which can provide connection around any flat, square or tubular stringer from 33.7 - 48.3mm (1" - 1.5").

COMPONENT SPECIFICATION

Material	Mild Steel, Malleable Cast Iron, Rubber
Finish	Powder Coated Finish to EN 13438, Galvanised steel to BS EN ISO 1461, Natural
Weight	21,5kg