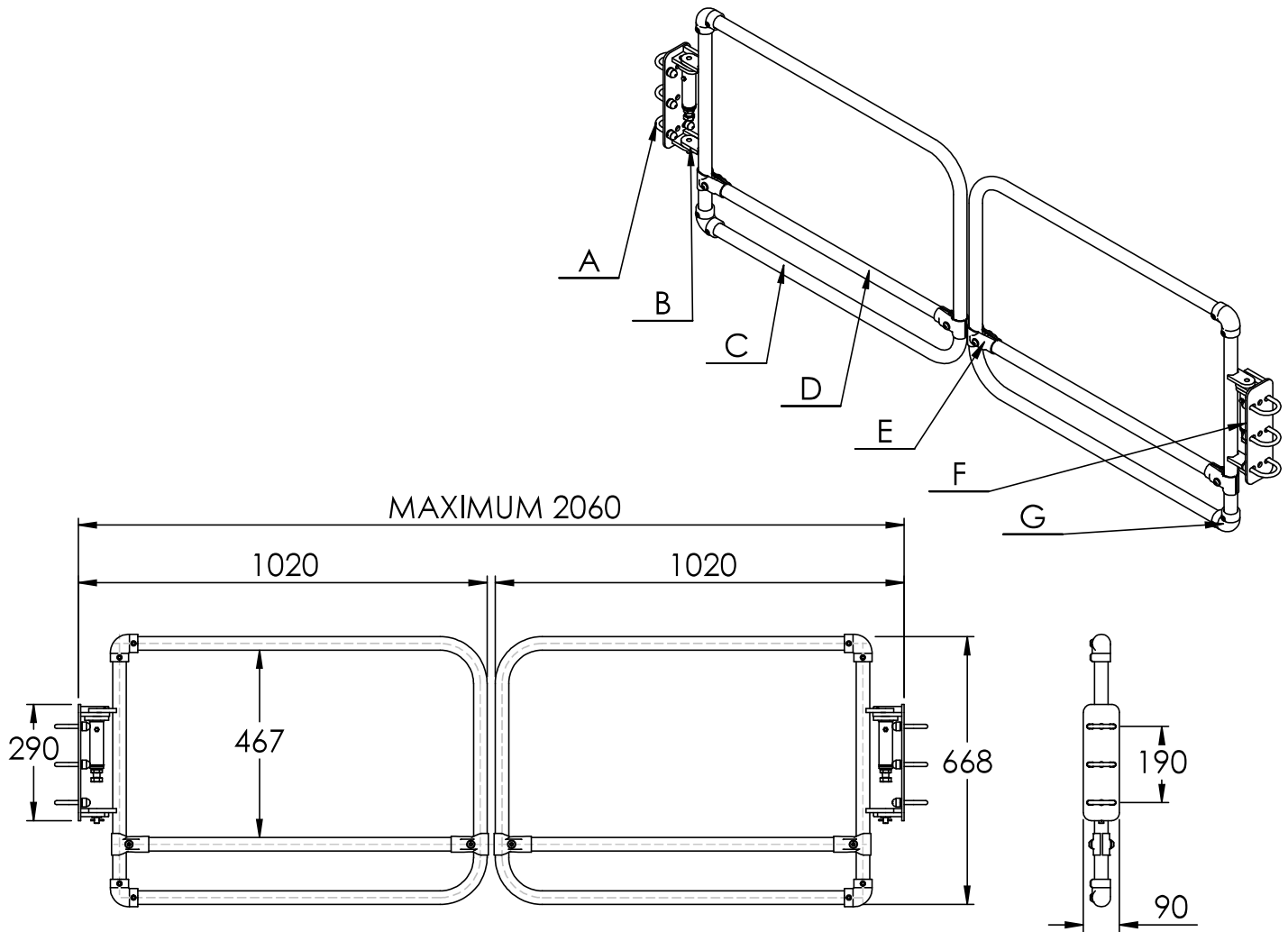


Technical Datasheet No: 0023

EUROPEAN POWDER GALVANISED GATE ASSEMBLY

Part No: SGEUDP2GV

Short Part No: SGEUDP2GV



ITEM NO.	PART NO.	DESCRIPTION	QTY.
A	SGEUFXPK2	SGEUFXPK2 - DOUBLE SAFETY GATE EUROPEAN FIXING PACK 1	2
B	SGK-SGDBPEU	SAFETY GATE KIT DOUBLE GATE RH	1
C	SGAS616GV	SGAS616GV DOUBLE SAFETY GATE D-BEND	2
D	SGEUMDDGV	CUT TUBE Ø33,7 x 3,2 EN10255 @ 818,0 GALVANISED	2
E	MIDDLE TUBE FIXING PACK	H.D.G. SPLIT CLAMP TYPE 2101866 C/W SS BUTTON HEAD SCREWS, COUPLER NUT & TOOTHED WASHERS	4
F	SGK-SGDBREU	SAFETY GATE KIT DOUBLE GATE LH	1
G	001560010	15-6 90° ELBOW	4

APPLICATION

Spring Loaded, self-closing double safety gate. Manufactured from steel to EN 10255. 33.7mm diameter tube x 3.2mm wall thickness to meet requirements of EN 13374 & EN 14122:2016. Complete with fixing pack.

COMPONENT SPECIFICATION

Material	Mild Steel, Malleable Cast Iron
Finish	Galvanised to BS EN ISO 1461 ASTM A53
Weight	31kg

Issue Date: 25/07/2017

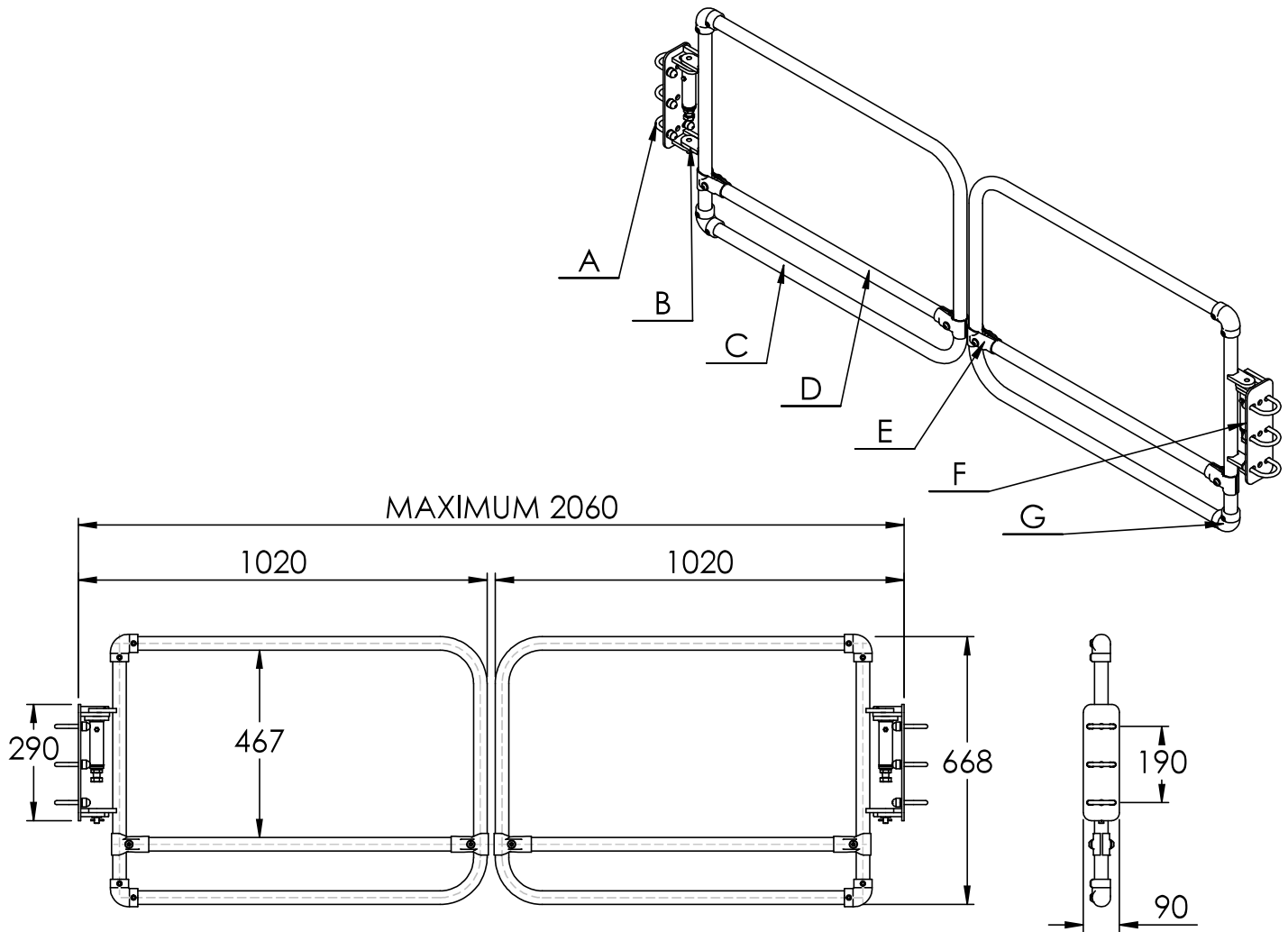
Issue No: 2

Technical Datasheet No: 0024

EUROPEAN POWDER COATED DOUBLE GATE ASSEMBLY

Part No: SGEUDP2PC

Short Part No: SGEUDP2PC



ITEM NO.	PART NO.	DESCRIPTION	QTY.
A	SGEUFXPK2	SGEUFXPK2 - DOUBLE SAFETY GATE EUROPEAN FIXING PACK 1	2
B	SGK-SGDBPEU	SAFETY GATE KIT DOUBLE GATE RH	1
C	SGA616PC	SGA616PC DOUBLE SAFETY GATE D-BEND	2
D	SGEUMDDPC	CUT TUBE $\phi 33,7 \times 3,2$ EN10255 @ 818,0 POWDER COATED	2
E	MIDDLE TUBE FIXING PACK	H.D.G. SPLIT CLAMP TYPE 2101866 C/W SS BUTTON HEAD SCREWS, COUPLER NUT & TOOTHED WASHERS	4
F	SGK-SGDBREU	SAFETY GATE KIT DOUBLE GATE LH	1
G	001560010	15-6 90° ELBOW	4

APPLICATION

Spring Loaded, self-closing double safety gate. Manufactured from steel to EN 10255. 33.7mm diameter tube x 3.2mm wall thickness to meet requirements of EN 13374 & EN 14122:2016. Complete with fixing pack.

COMPONENT SPECIFICATION

Material	Mild Steel, Malleable Cast Iron
Finish	Powder Coated to EN 13438, Galvanised to BS EN ISO 1461 ASTM A53
Weight	31kg

Issue Date: 25/07/2017

Issue No: 2