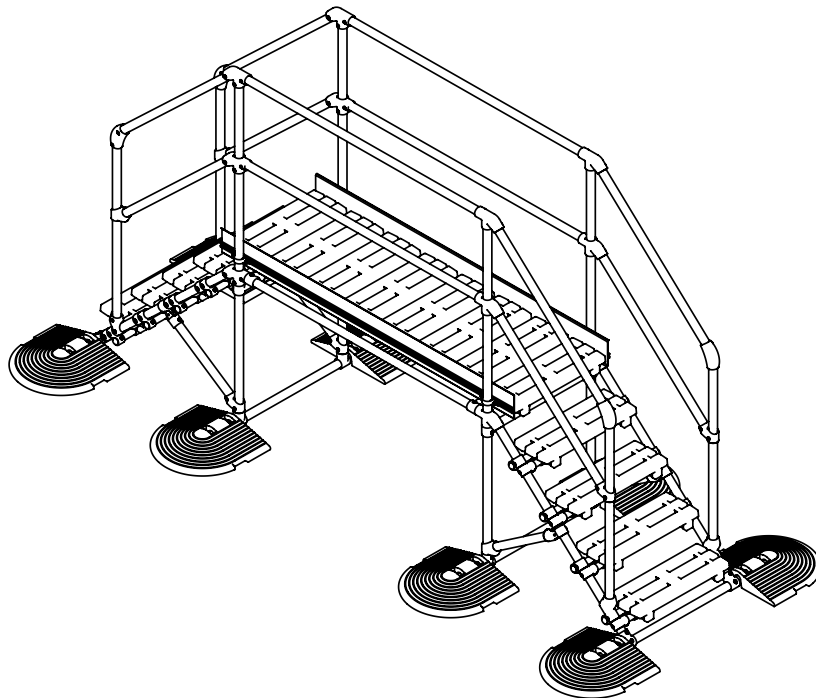




SAFETY AT THE HIGHEST LEVEL

Kee Walk Step Overs Technical Datasheet Pack



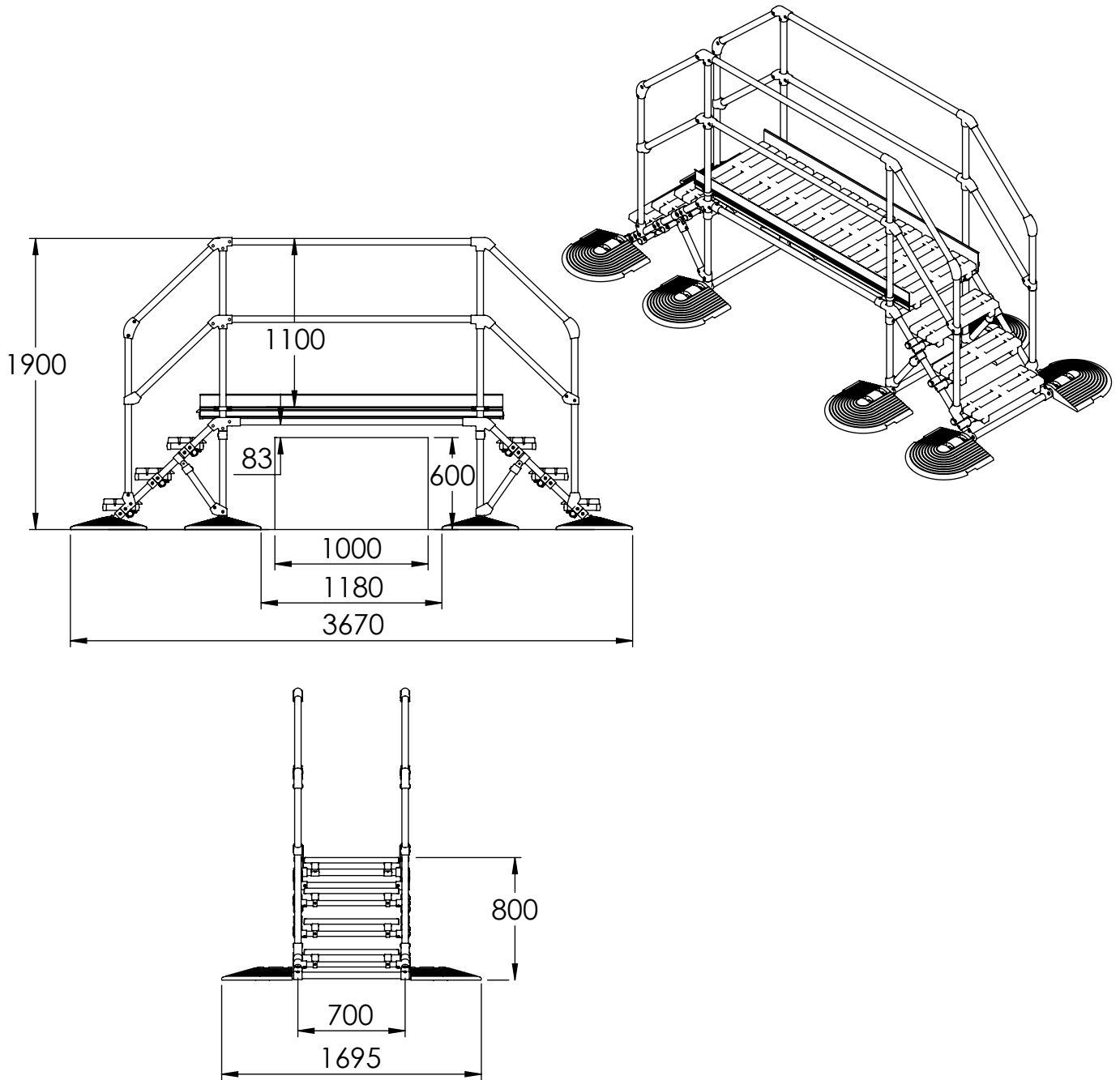
Revision 1
Issued April 2021

Technical Datasheet No: 0001

FREESTANDING STEP OVER TO SUIT 600mm x 1000mm x 600mm OBSTACLE

Part No: STMB600

Short Part No: STMB600



APPLICATION

The Kee Safety Step Over modules are available to suit all major roof types. The Step Over range consists of a number of different configurations to suit the major flat roof types. Membrane and concrete roof type platforms are standard units whereas metal profile roofs are bespoke to the particular application requiring a survey and semi-bespoke base plate layout design. This will ensure a perfect fit and other height/width/length variables can be accommodated as a bespoke solution.

COMPONENT SPECIFICATION

Material	Malleable Cast Iron / Aluminium Alloy / High Grade Nylon / Mild Steel
Finish	Galvanised to BS EN ISO 1461 / Natural / HDG
Weight	363.22kg

Issue Date: 22/04/2021

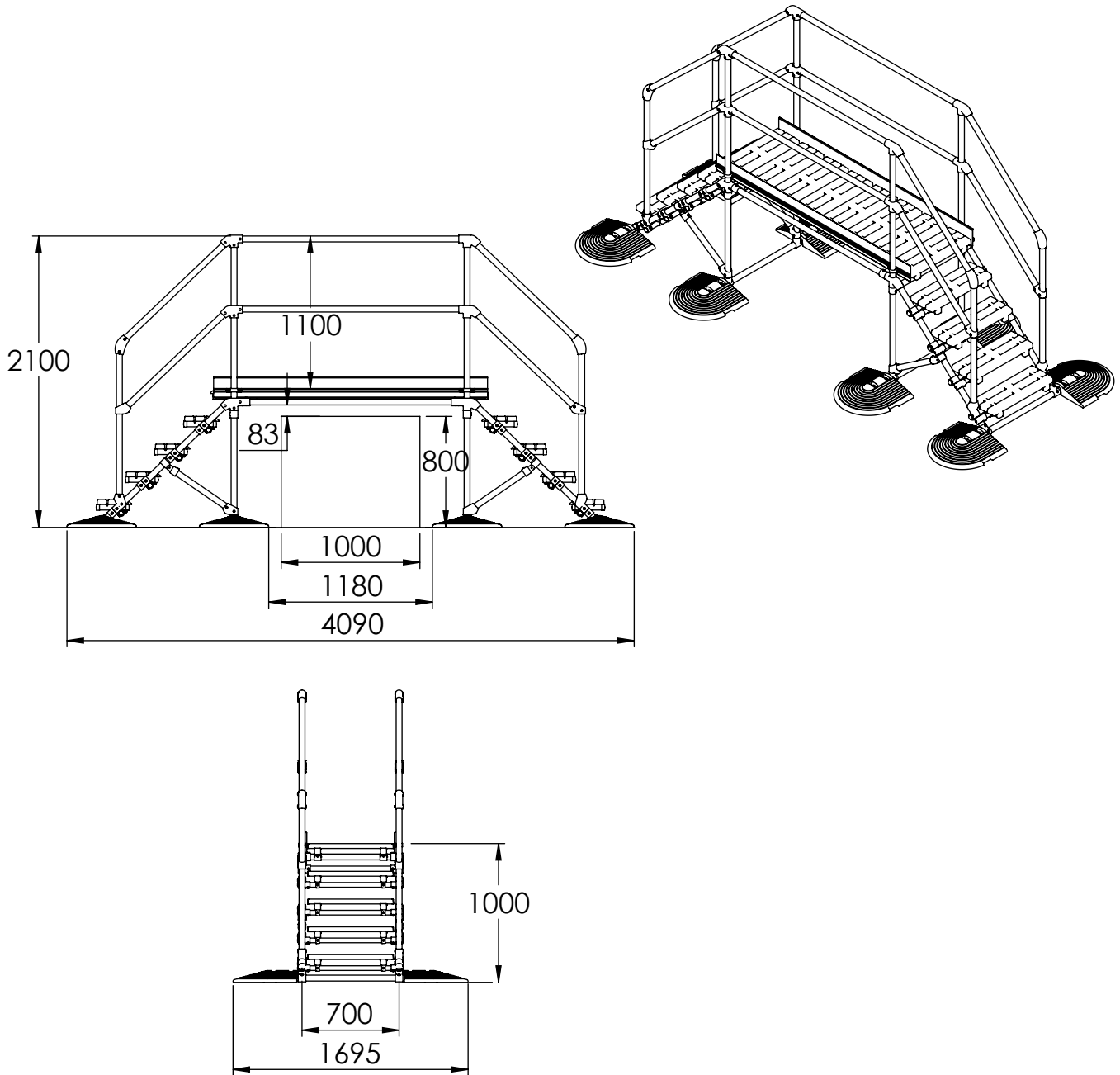
Issue No: 1

Technical Datasheet No: 0002

FREESTANDING STEP OVER TO SUIT 800mm x 1000mm x 800mm OBSTACLE

Part No: STMB800

Short Part No: STMB800



APPLICATION

The Kee Safety Step Over modules are available to suit all major roof types. The Step Over range consists of a number of different configurations to suit the major flat roof types. Membrane and concrete roof type platforms are standard units whereas metal profile roofs are bespoke to the particular application requiring a survey and semi-bespoke base plate layout design. This will ensure a perfect fit and other height/width/length variables can be accommodated as a bespoke solution.

COMPONENT SPECIFICATION

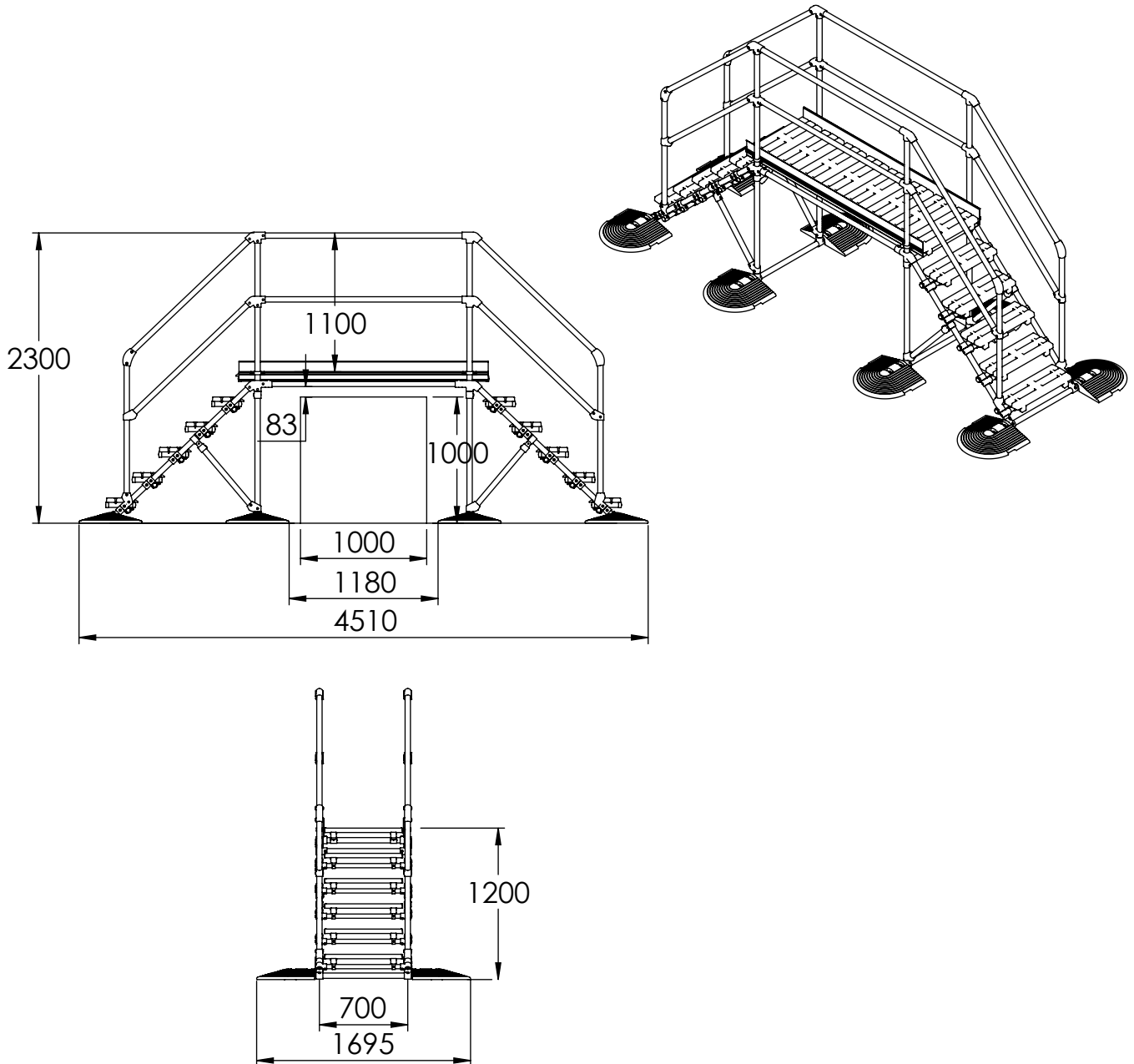
Material	Malleable Cast Iron / Aluminium Alloy / High Grade Nylon / Mild Steel
Finish	Galvanised to BS EN ISO 1461 / Natural / HDG
Weight	395.80kg

Technical Datasheet No: 0003

FREESTANDING STEP OVER TO SUIT 1000mm x 1000mm x 1000mm OBSTACLE

Part No: STMB1000

Short Part No: STMB1000



APPLICATION

The Kee Safety Step Over modules are available to suit all major roof types. The Step Over range consists of a number of different configurations to suit the major flat roof types. Membrane and concrete roof type platforms are standard units whereas metal profile roofs are bespoke to the particular application requiring a survey and semi-bespoke base plate layout design. This will ensure a perfect fit and other height/width/length variables can be accommodated as a bespoke solution.

COMPONENT SPECIFICATION

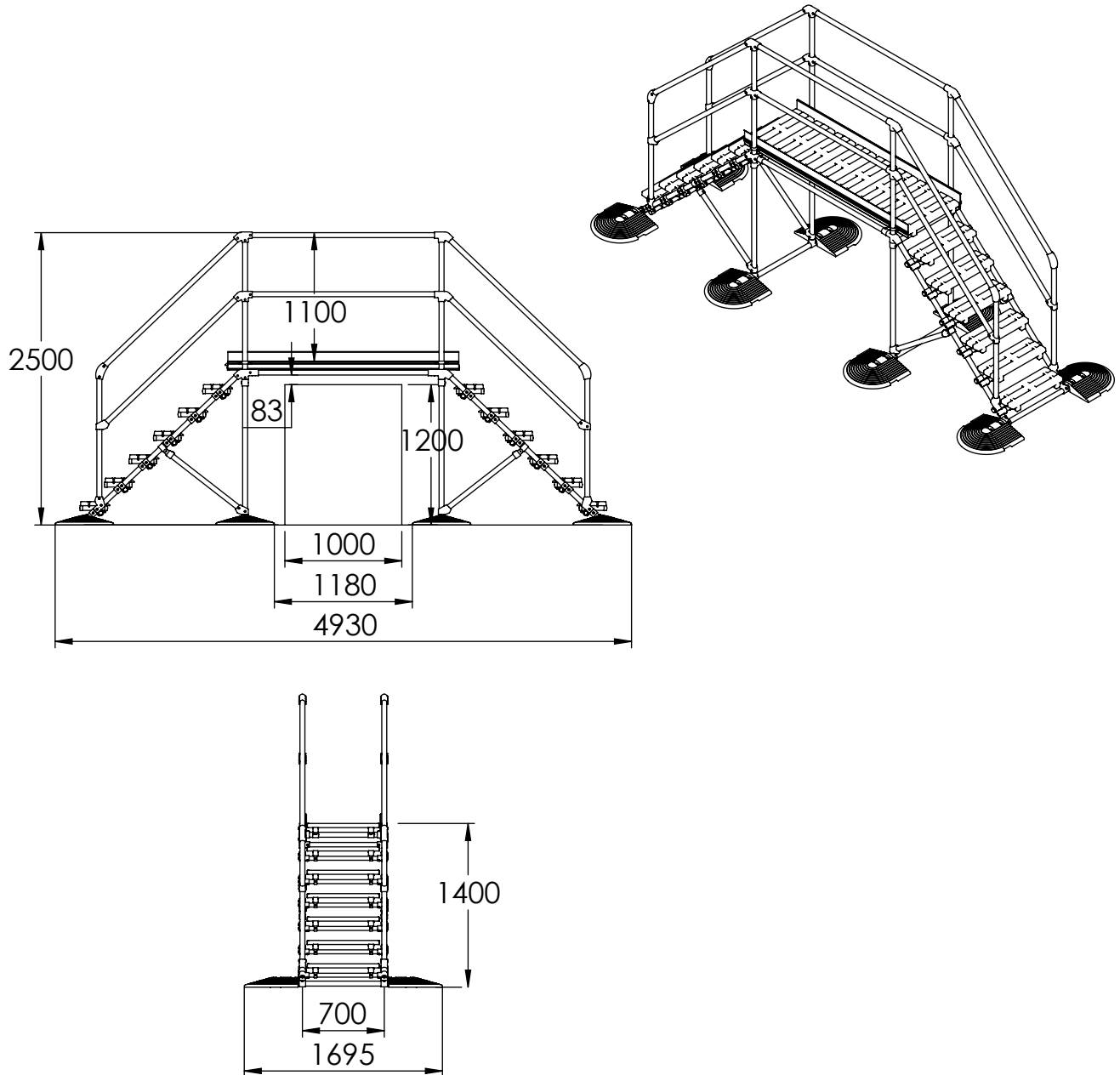
Material	Malleable Cast Iron / Aluminium Alloy / High Grade Nylon / Mild Steel
Finish	Galvanised to BS EN ISO 1461 / Natural / HDG
Weight	427.88kg

Technical Datasheet No: 0004

FREESTANDING STEP OVER TO SUIT 1200mm x 1000mm x 1200mm OBSTACLE

Part No: STMB1200

Short Part No: STMB1200



APPLICATION

The Kee Safety Step Over modules are available to suit all major roof types. The Step Over range consists of a number of different configurations to suit the major flat roof types. Membrane and concrete roof type platforms are standard units whereas metal profile roofs are bespoke to the particular application requiring a survey and semi-bespoke base plate layout design. This will ensure a perfect fit and other height/width/length variables can be accommodated as a bespoke solution.

COMPONENT SPECIFICATION

Material	Malleable Cast Iron / Aluminium Alloy / High Grade Nylon / Mild Steel
Finish	Galvanised to BS EN ISO 1461 / Natural / HDG
Weight	460.42kg

Issue Date: 22/04/2021

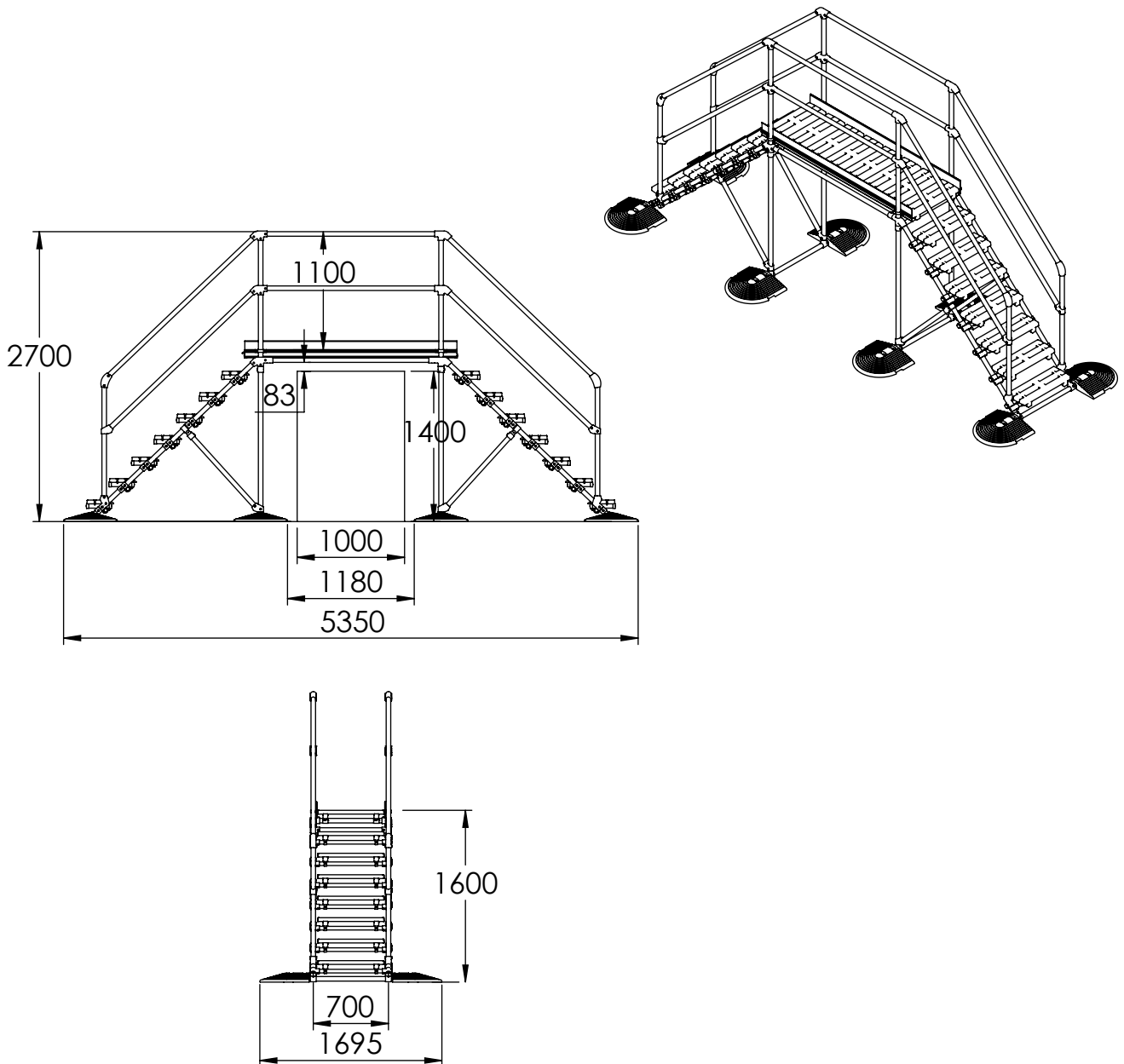
Issue No: 1

Technical Datasheet No: 0005

FREESTANDING STEP OVER TO SUIT 1400mm x 1000mm x 1400mm OBSTACLE

Part No: STMB1400

Short Part No: STMB1400



APPLICATION

The Kee Safety Step Over modules are available to suit all major roof types. The Step Over range consists of a number of different configurations to suit the major flat roof types. Membrane and concrete roof type platforms are standard units whereas metal profile roofs are bespoke to the particular application requiring a survey and semi-bespoke base plate layout design. This will ensure a perfect fit and other height/width/length variables can be accommodated as a bespoke solution.

COMPONENT SPECIFICATION

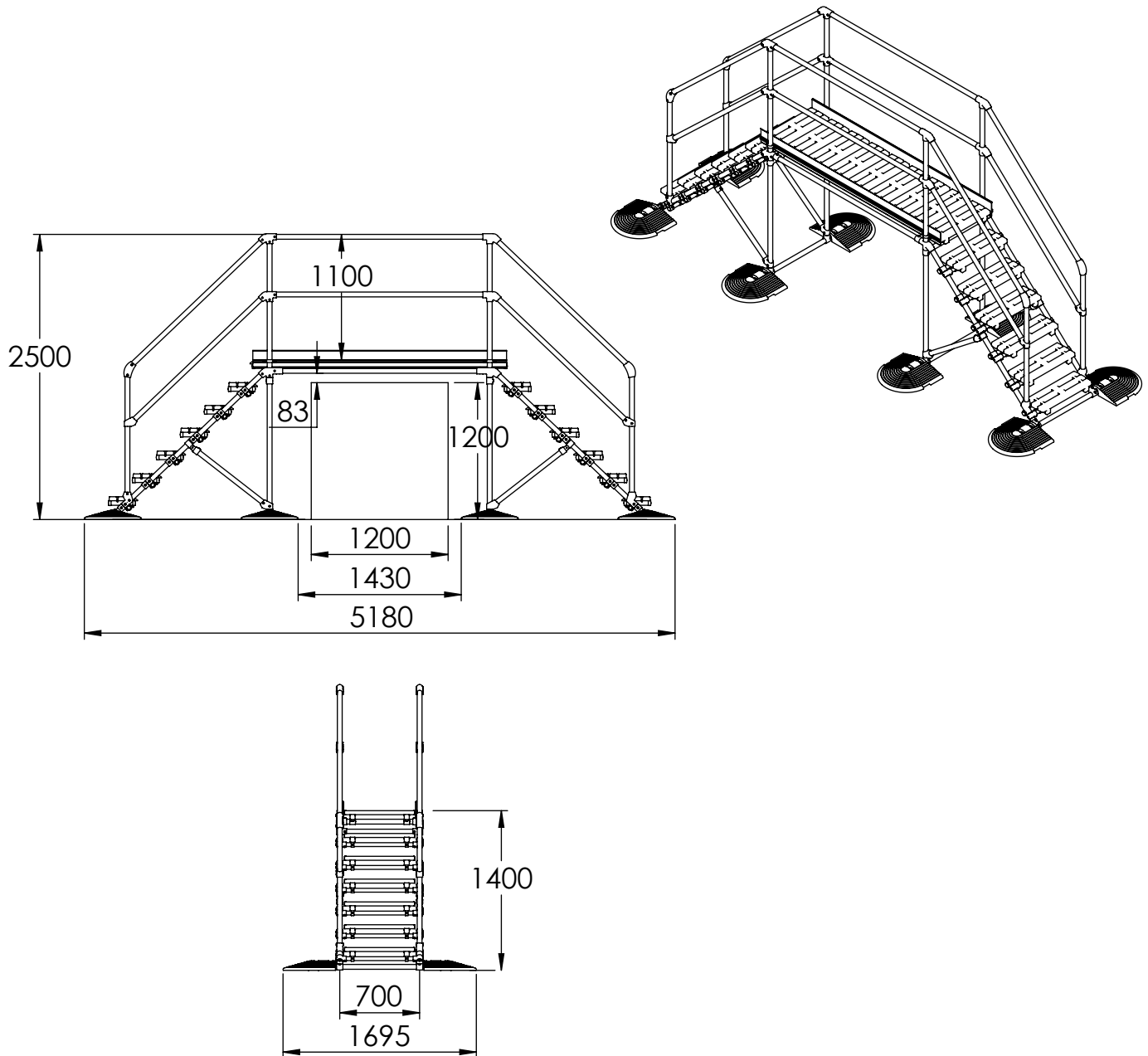
Material	Malleable Cast Iron / Aluminium Alloy / High Grade Nylon / Mild Steel
Finish	Galvanised to BS EN ISO 1461 / Natural / HDG
Weight	492.56kg

Technical Datasheet No: 0006

FREESTANDING STEP OVER TO SUIT 1200mm x 1200mm x 1200mm OBSTACLE

Part No: STMB1212

Short Part No: STMB1212



APPLICATION

The Kee Safety Step Over modules are available to suit all major roof types. The Step Over range consists of a number of different configurations to suit the major flat roof types. Membrane and concrete roof type platforms are standard units, whereas metal profile roofs are bespoke to the particular application, requiring a survey and semi-bespoke base plate layout design. This will ensure a perfect fit and other height/width/length variables can be accommodated as a bespoke solution.

COMPONENT SPECIFICATION

Material	Malleable Cast Iron / Aluminium Alloy / High Grade Nylon / Mild Steel
Finish	Galvanised to BS EN ISO 1461 / Natural / HDG
Weight	468.16kg

Issue Date: 22/04/2021

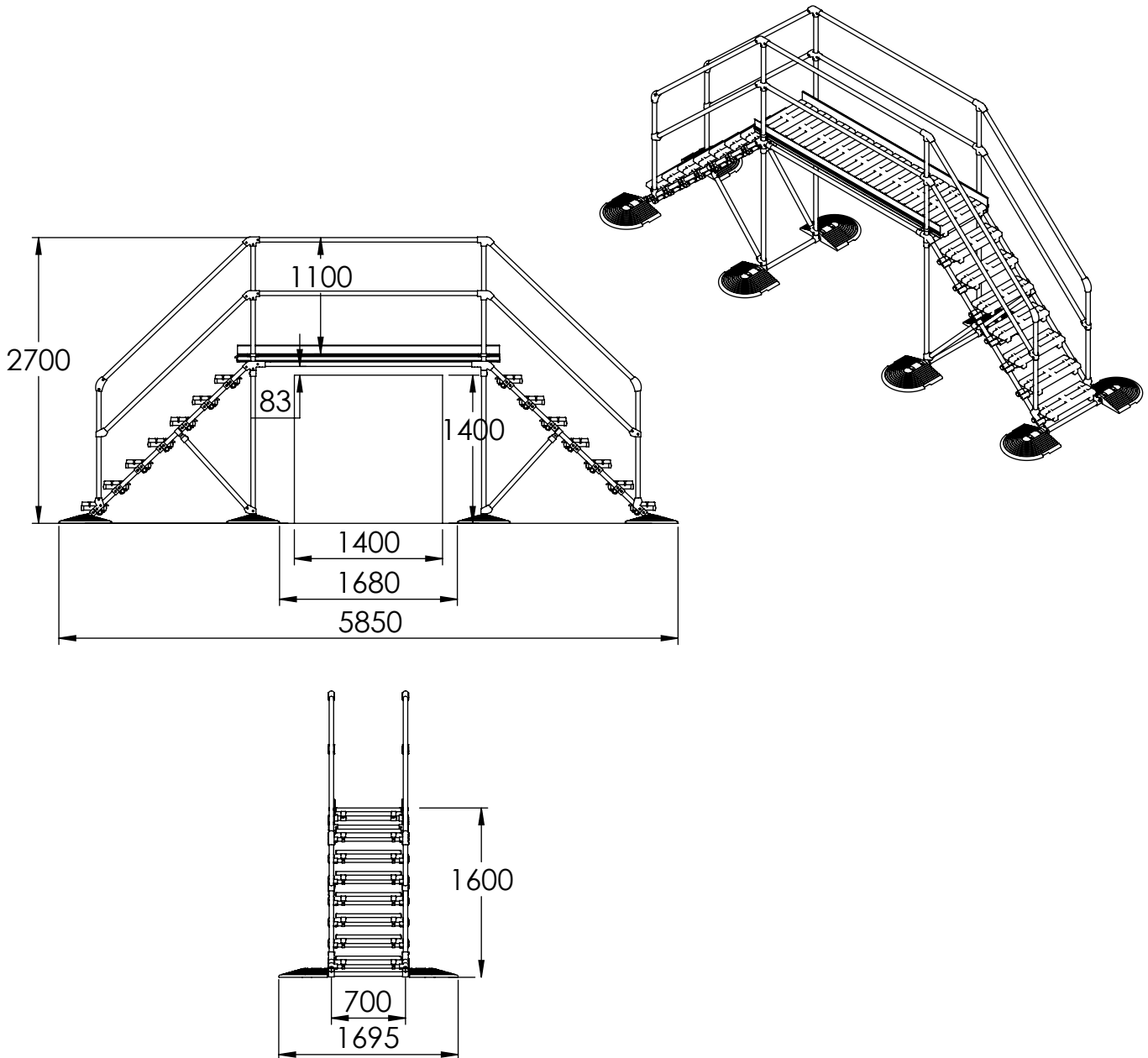
Issue No: 1

Technical Datasheet No: 0007

FREESTANDING STEP OVER TO SUIT 1400mm x 1400mm x 1400mm OBSTACLE

Part No: STMB1414

Short Part No: STMB1414



APPLICATION

The Kee Safety Step Over modules are available to suit all major roof types. The Step Over range consists of a number of different configurations to suit the major flat roof types. Membrane and concrete roof type platforms are standard units, whereas metal profile roofs are bespoke to the particular application requiring a survey and semi-bespoke base plate layout design. This will ensure a perfect fit and other height/width/length variables can be accommodated as a bespoke solution.

COMPONENT SPECIFICATION

Material	Malleable Cast Iron / Aluminium Alloy / High Grade Nylon / Mild Steel
Finish	Galvanised to BS EN ISO 1461 / Natural / HDG
Weight	521.50kg

Issue Date: 22/04/2021

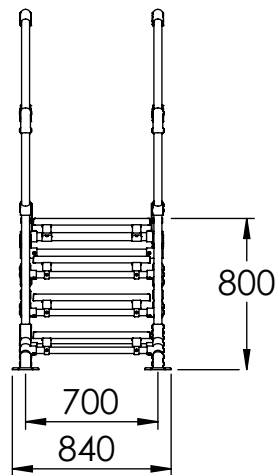
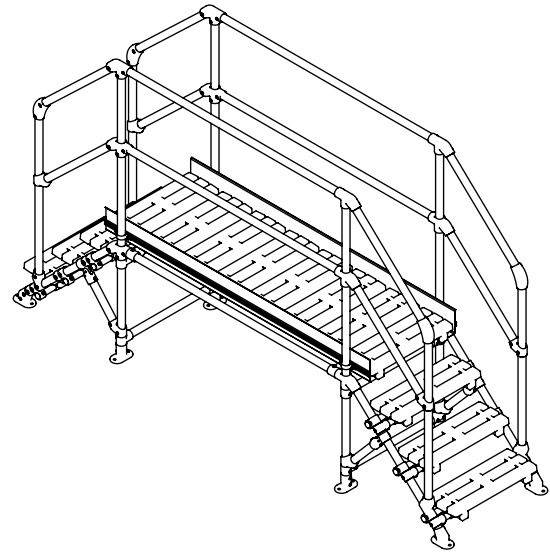
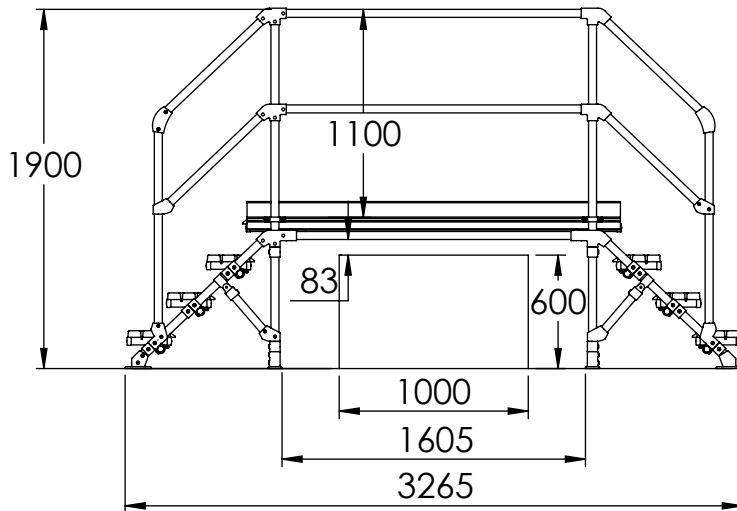
Issue No: 1

Technical Datasheet No: 0008

FIXED STEP OVER TO SUIT 600mm x 1000mm x 600mm OBSTACLE

Part No: STCR600

Short Part No: STCR600



APPLICATION

The Kee Safety Step Over modules are available to suit all major roof types. The Step Over range consists of a number of different configurations to suit the major flat roof types. Membrane and concrete roof type platforms are standard units whereas metal profile roofs are bespoke to the particular application requiring a survey and semi-bespoke base plate layout design. This will ensure a perfect fit and other height/width/length variables can be accommodated as a bespoke solution.

COMPONENT SPECIFICATION

Material	Malleable Cast Iron / Aluminium Alloy / High Grade Nylon / Mild Steel
Finish	Galvanised to BS EN ISO 1461 / Natural / HDG
Weight	218.23kg

Issue Date: 22/04/2021

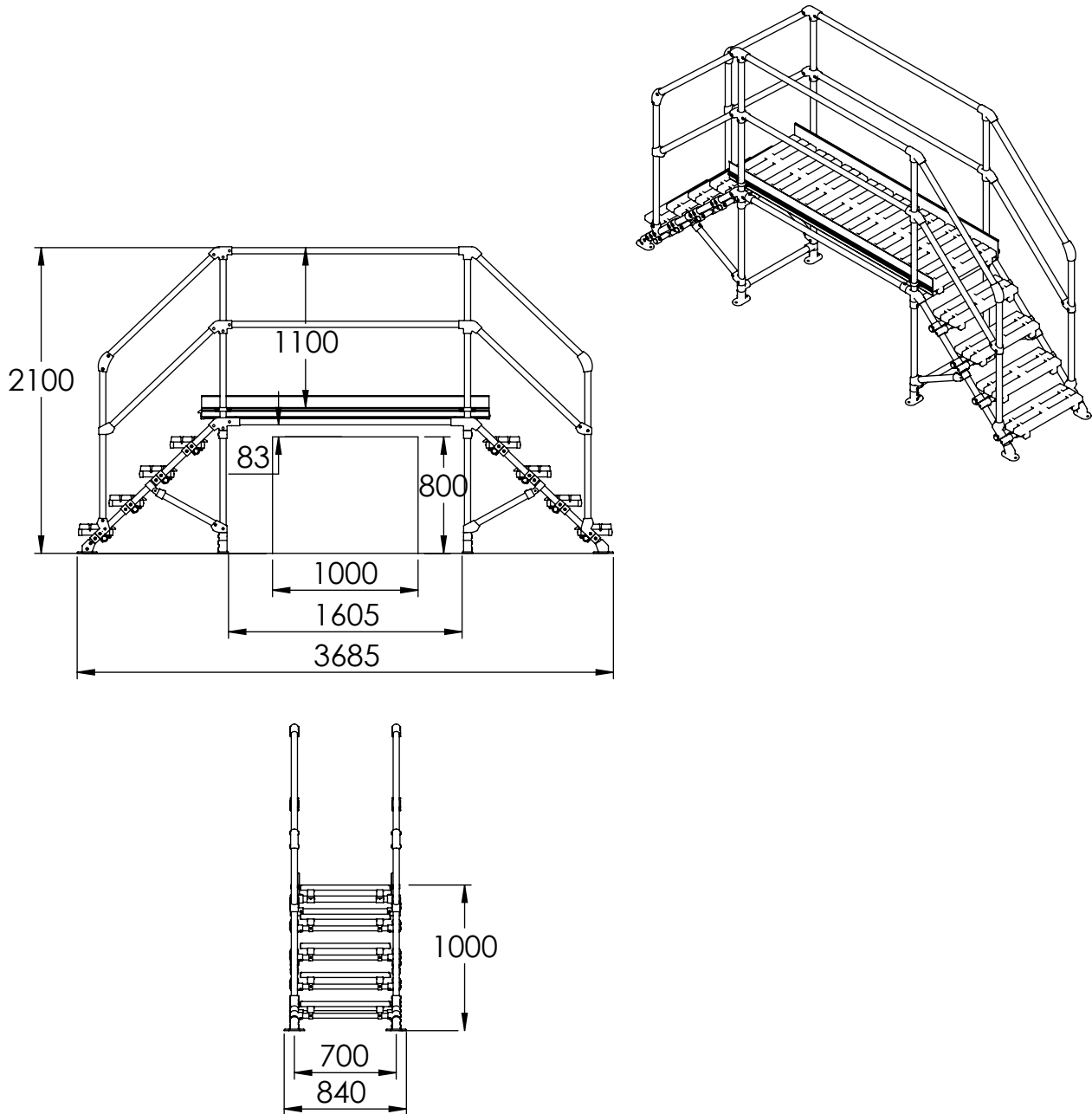
Issue No: 1

Technical Datasheet No: 0009

FIXED STEP OVER TO SUIT 800mm x 1000mm x 800mm OBSTACLE

Part No: STCR800

Short Part No: STCR800



APPLICATION

The Kee Safety Step Over modules are available to suit all major roof types. The Step Over range consists of a number of different configurations to suit the major flat roof types. Membrane and concrete roof type platforms are standard units whereas metal profile roofs are bespoke to the particular application requiring a survey and semi-bespoke base plate layout design. This will ensure a perfect fit and other height/width/length variables can be accommodated as a bespoke solution.

COMPONENT SPECIFICATION

Material	Malleable Cast Iron / Aluminium Alloy / High Grade Nylon / Mild Steel
Finish	Galvanised to BS EN ISO 1461 / Natural / HDG
Weight	250.81kg

Issue Date: 22/04/2021

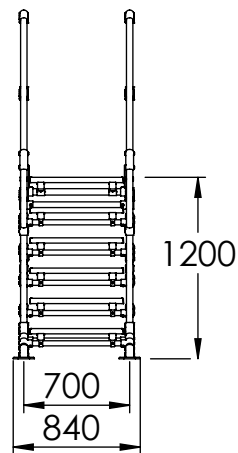
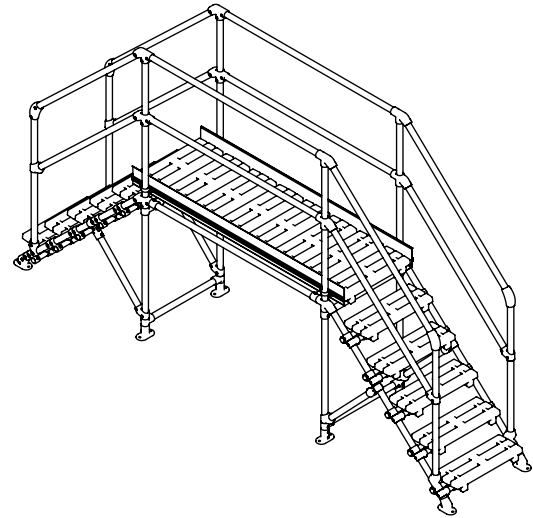
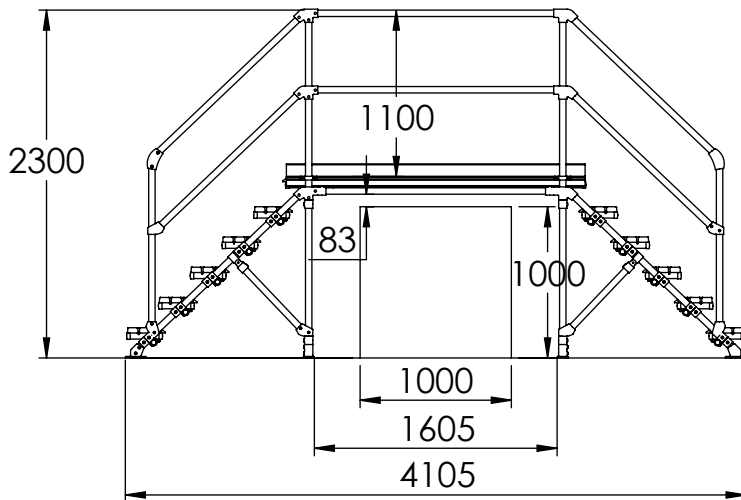
Issue No: 1

Technical Datasheet No: 0010

FIXED STEP OVER TO SUIT 1000mm x 1000mm x 1000mm OBSTACLE

Part No: STCR1000

Short Part No: STCR1000



APPLICATION

The Kee Safety Step Over modules are available to suit all major roof types. The Step Over range consists of a number of different configurations to suit the major flat roof types. Membrane and concrete roof type platforms are standard units whereas metal profile roofs are bespoke to the particular application requiring a survey and semi-bespoke base plate layout design. This will ensure a perfect fit and other height/width/length variables can be accommodated as a bespoke solution.

COMPONENT SPECIFICATION

Material	Malleable Cast Iron / Aluminium Alloy / High Grade Nylon / Mild Steel
Finish	Galvanised to BS EN ISO 1461 / Natural / HDG
Weight	282.89kg

Issue Date: 22/04/2021

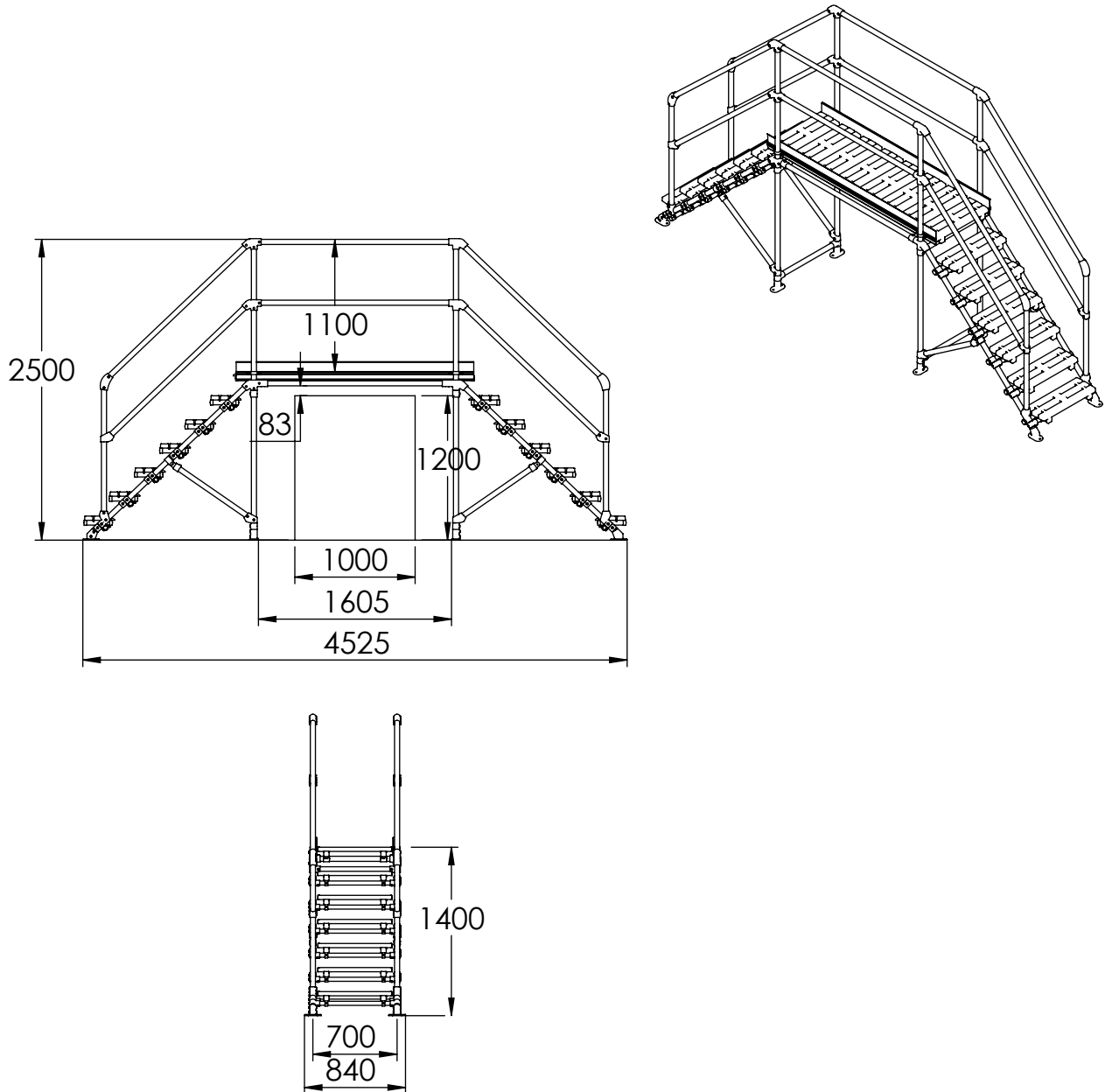
Issue No: 1

Technical Datasheet No: 0011

FIXED STEP OVER TO SUIT 1200mm x 1000mm x 1200mm OBSTACLE

Part No: STCR1200

Short Part No: STCR1200



APPLICATION

The Kee Safety Step Over modules are available to suit all major roof types. The Step Over range consists of a number of different configurations to suit the major flat roof types. Membrane and concrete roof type platforms are standard units whereas metal profile roofs are bespoke to the particular application requiring a survey and semi-bespoke base plate layout design. This will ensure a perfect fit and other height/width/length variables can be accommodated as a bespoke solution.

COMPONENT SPECIFICATION

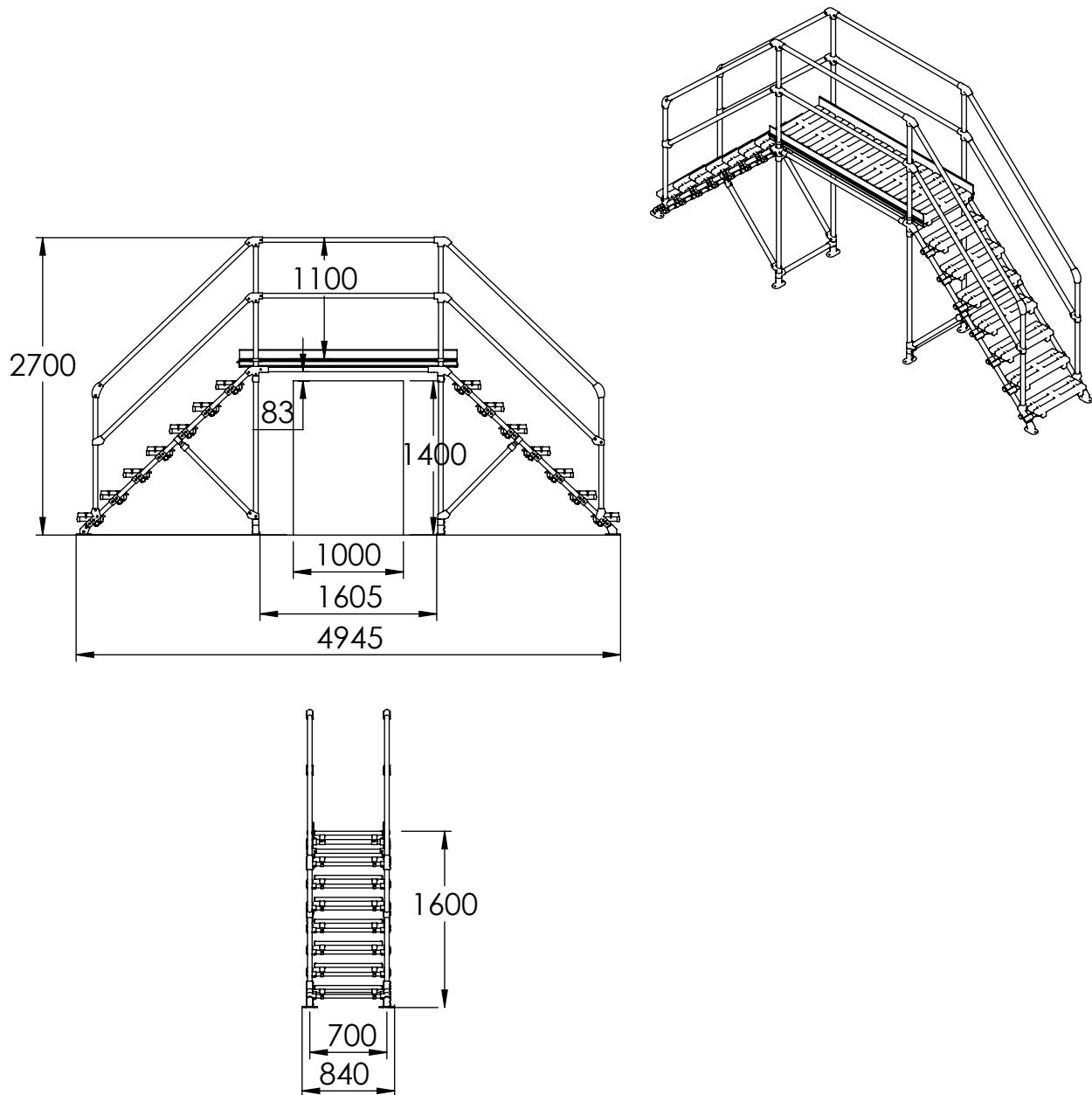
Material	Malleable Cast Iron / Aluminium Alloy / High Grade Nylon / Mild Steel
Finish	Galvanised to BS EN ISO 1461 / Natural / HDG
Weight	315.43kg

Technical Datasheet No: 0012

FIXED STEP OVER TO SUIT 1400mm x 1000mm x 1400mm OBSTACLE

Part No: STCR1400

Short Part No: STCR1400



APPLICATION

The Kee Safety Step Over modules are available to suit all major roof types. The Step Over range consists of a number of different configurations to suit the major flat roof types. Membrane and concrete roof type platforms are standard units whereas metal profile roofs are bespoke to the particular application requiring a survey and semi-bespoke base plate layout design. This will ensure a perfect fit and other height/width/length variables can be accommodated as a bespoke solution.

COMPONENT SPECIFICATION

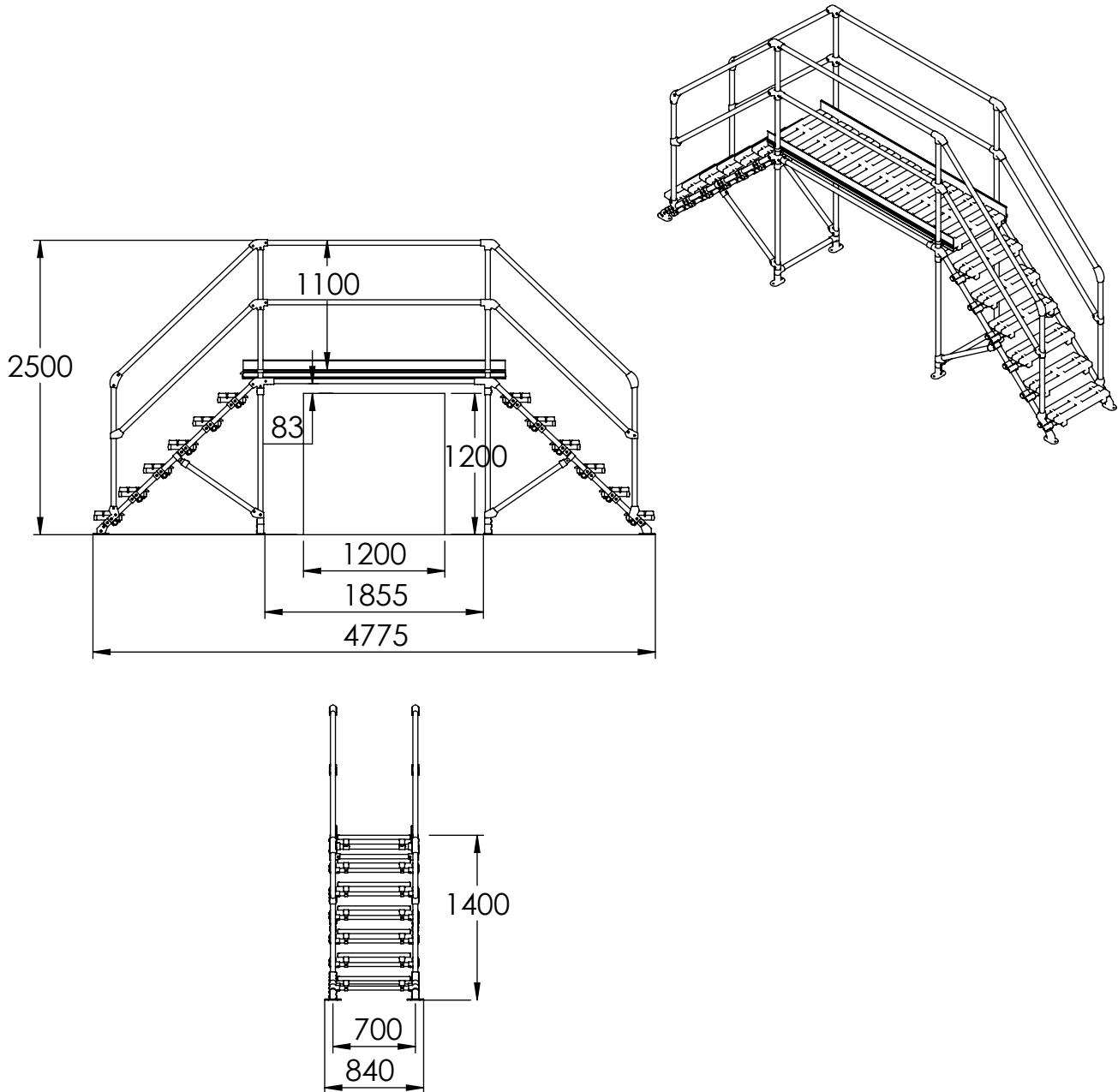
Material	Malleable Cast Iron / Aluminium Alloy / High Grade Nylon / Mild Steel
Finish	Galvanised to BS EN ISO 1461 / Natural / HDG
Weight	347.57kg

Technical Datasheet No: 0013

FIXED STEP OVER TO SUIT 1200mm x 1200mm x 1200mm OBSTACLE

Part No: STCR1212

Short Part No: STCR1212



APPLICATION

The Kee Safety Step Over modules are available to suit all major roof types. The Step Over range consists of a number of different configurations to suit the major flat roof types. Membrane and concrete roof type platforms are standard units whereas metal profile roofs are bespoke to the particular application requiring a survey and semi-bespoke base plate layout design. This will ensure a perfect fit and other height/width/length variables can be accommodated as a bespoke solution.

COMPONENT SPECIFICATION

Material	Malleable Cast Iron / Aluminium Alloy / High Grade Nylon / Mild Steel
Finish	Galvanised to BS EN ISO 1461 / Natural / HDG
Weight	323.17kg

Issue Date: 22/04/2021

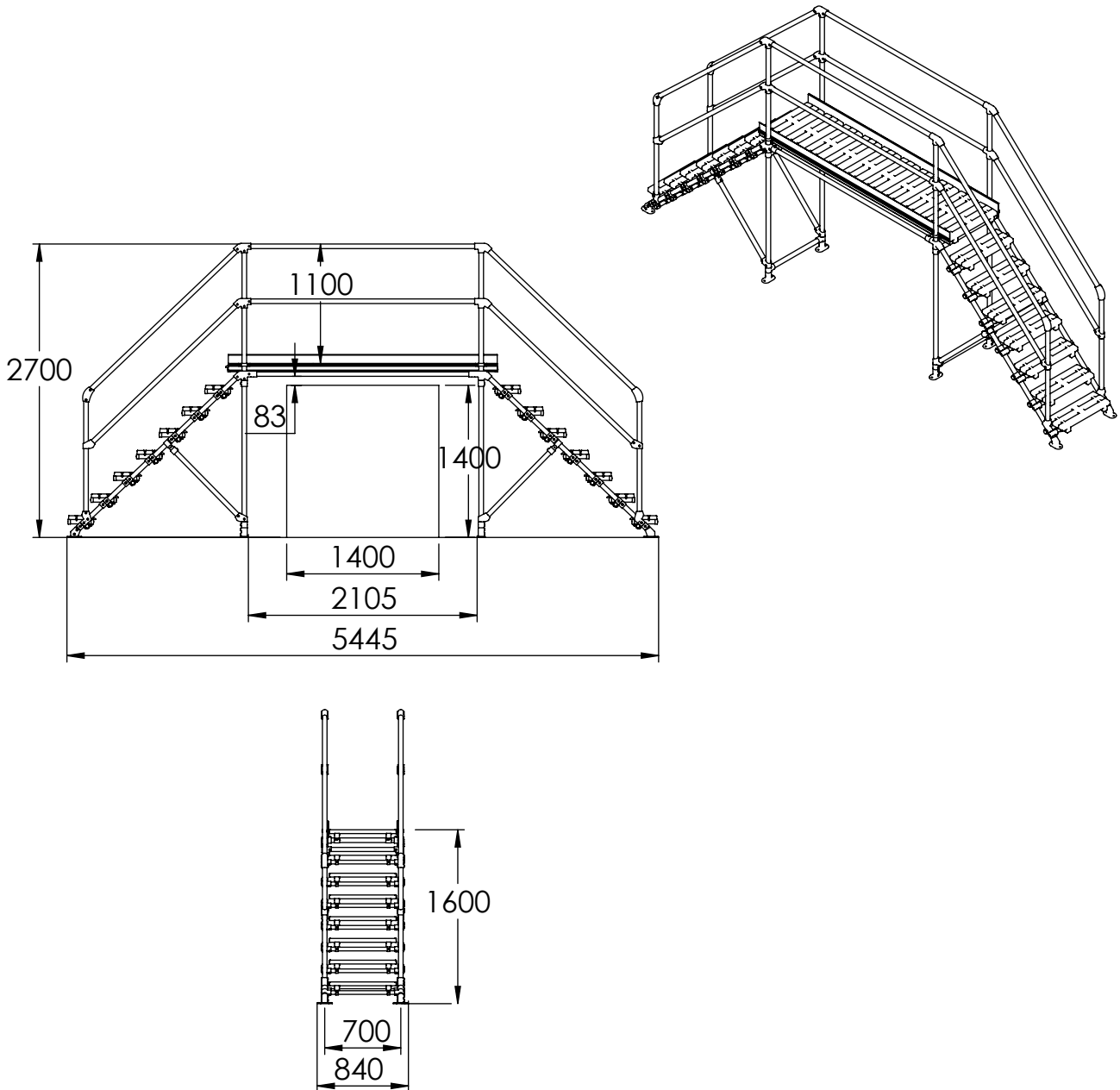
Issue No: 1

Technical Datasheet No: 0014

FIXED STEP OVER TO SUIT 1400mm x 1400mm x 1400mm OBSTACLE

Part No: STCR1414

Short Part No: STCR1414



APPLICATION

The Kee Safety Step Over modules are available to suit all major roof types. The Step Over range consists of a number of different configurations to suit the major flat roof types. Membrane and concrete roof type platforms are standard units whereas metal profile roofs are bespoke to the particular application requiring a survey and semi-bespoke base plate layout design. This will ensure a perfect fit and other height/width/length variables can be accommodated as a bespoke solution.

COMPONENT SPECIFICATION

Material	Malleable Cast Iron / Aluminium Alloy / High Grade Nylon / Mild Steel
Finish	Galvanised to BS EN ISO 1461 / Natural / HDG
Weight	376.51kg