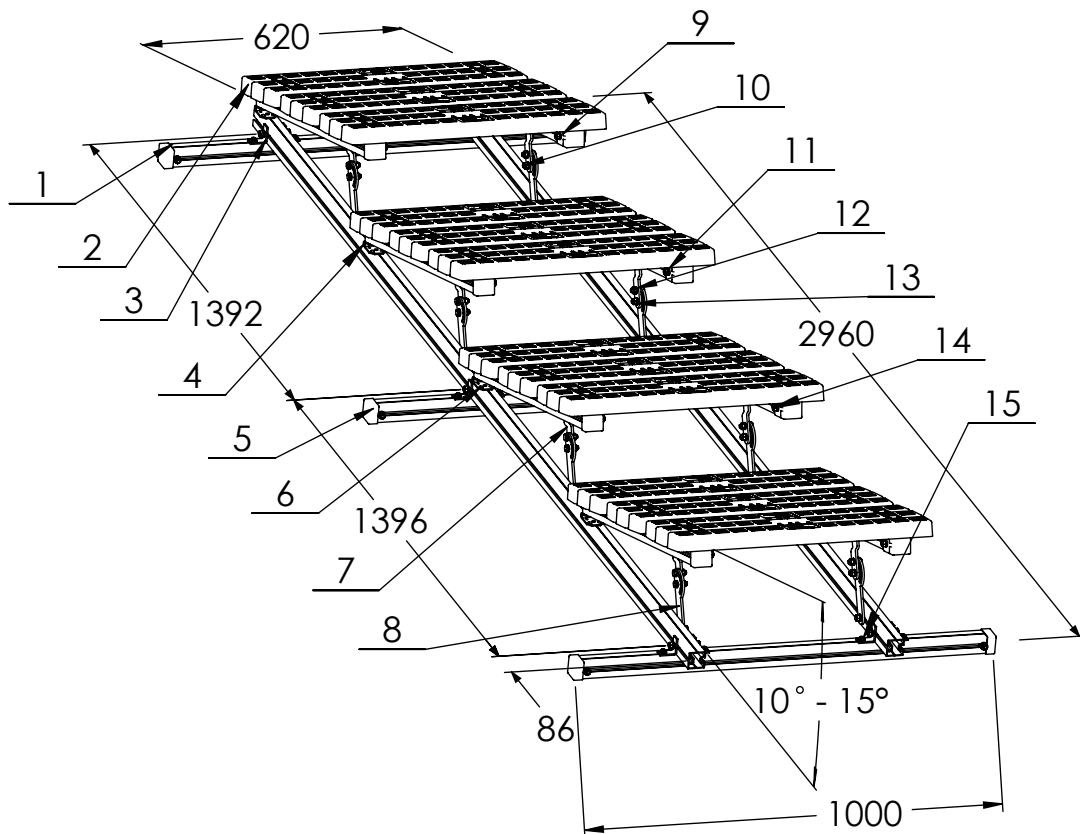




SAFETY AT THE HIGHEST LEVEL

Kee Walk Technical Datasheet Pack



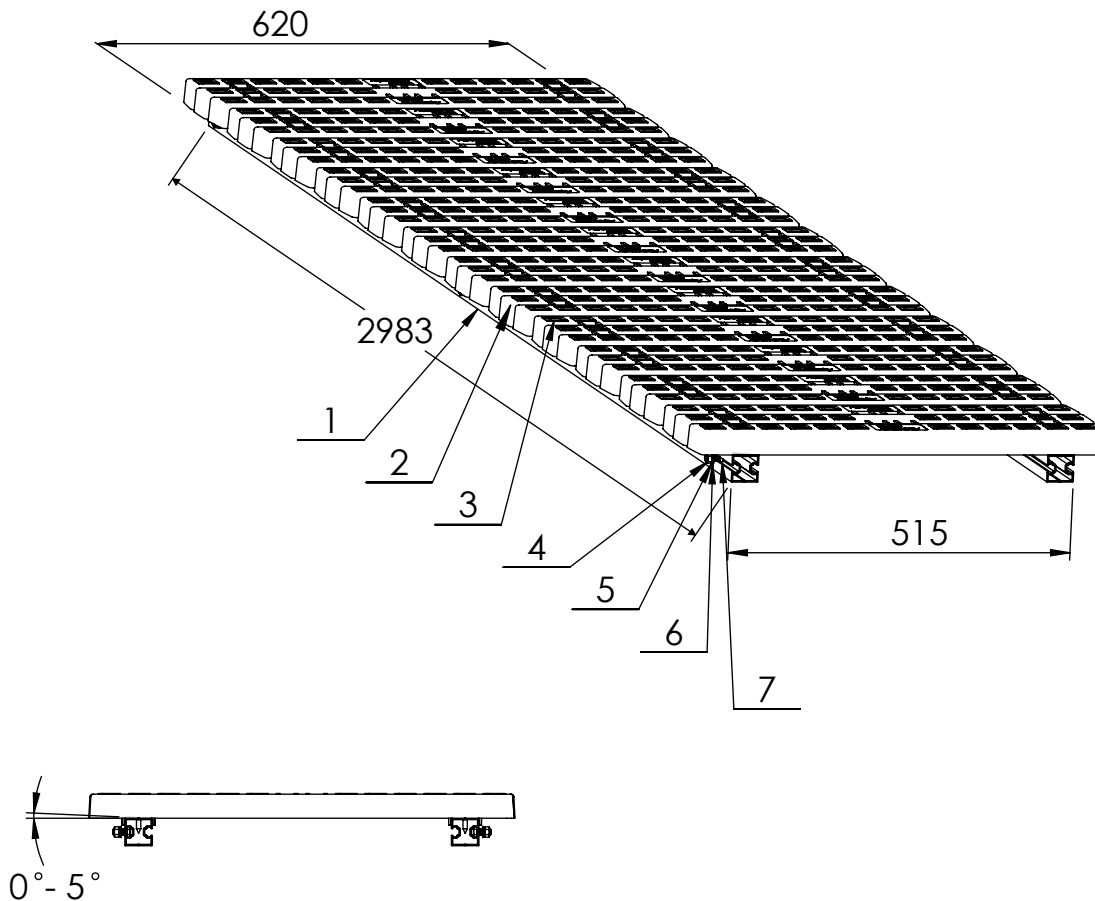
Revision 9
Issued October 2021

Technical Datasheet No: 0001

KWM1 - 3M TRAVERSE MODULE 0 TO 5 DEG SLOPE

Part No: WW701ASSY

Short Part No: KWM1



For Stainless Steel option KWM1SS (WW801ASSY)

use below fittings:

ITEM 3 - WW6215150 - 6,2dia x 25mm TEK SCREW-A2-70

ITEM 4 - WW2180150 - M8 HEX FULL NUT-A4-70

ITEM 5 - WW3280150 - M8 SPRING WASHER-A4-70

ITEM 6 - WW3180150 - M8 PLAIN WASHER-A4-70

ITEM 7 - WW1120150 - M8x20mm HEX. SCR.-A4-70

ITEM NO.	PART NO.	DESCRIPTION	QTY.
1	WW4040030	WW4040 - EXTRUDED ALUMINIUM BEAM.	2
2	WW1000040	WW1000 - NYLON TREAD	12
3	WW6215110	WW6215 - 6.3 X 25 HEX HD STITCHING SCREW	24
4	WW2180110	WW2180 - M8 HEX HD FULL NUT GR 8,8	6
5	WW3280110	WW3280 - M8 SPRING WASHER TYPE A GALV	6
6	WW3180110	WW3180 - M8 PLAIN WASHER FORM A GALV	6
7	WW1120110	WW1120 - M8 x 20 HEX HD GR 8,8 SET SCREW	6

APPLICATION

Kee Walk® System provides a safe, anti-slip, level walking surface for means of access to and across roofs. It provides a demarcation route which protects the roof membrane from unnecessary foot traffic and potential damage. Pre-assembled in 3m unit. Hinged bracket at rear. Rotating Cam Arm at front – rotating angle 0° to 5°.

COMPONENT SPECIFICATION

Material	Aluminium Alloy / High Grade Nylon / Mild Steel
Finish	Aluminium, Nylon - Natural / Sheradised
Weight	25 kg

Issue Date: 12/10/2021

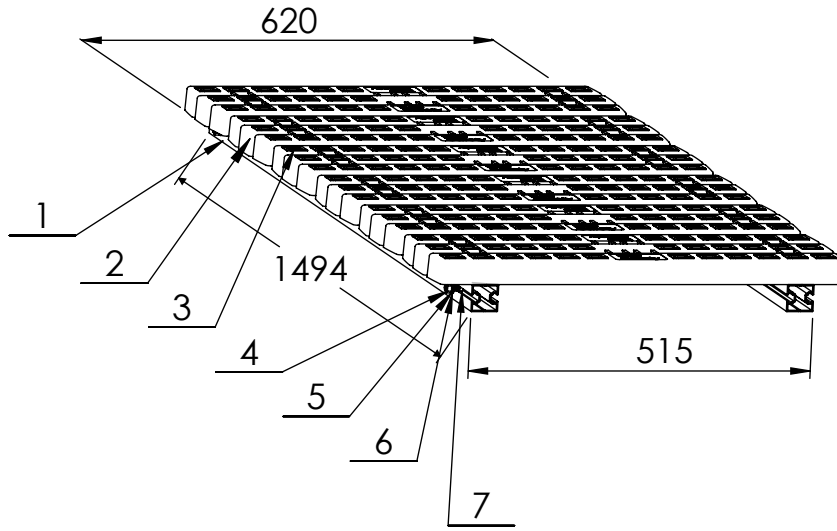
Issue No: 3

Technical Datasheet No: 0002

KWM2 - 1,5M TRAVERSE MODULE 0 TO 5 DEG SLOPE

Part No: WW702ASSY

Short Part No: KWM2



For Stainless Steel option KWM2SS (WW802ASSY)

use below fittings:

ITEM 3 - WW6215150 - 6,2dia x 25mm TEK SCREW-A2-70

ITEM 4 - WW2180150 - M8 HEX FULL NUT-A4-70

ITEM 5 - WW3280150 - M8 SPRING WASHER-A4-70

ITEM 6 - WW3180150 - M8 PLAIN WASHER-A4-70

ITEM 7 - WW1120150 - M8x20mm HEX. SCR.-A4-70

ITEM NO.	PART NO.	DESCRIPTION	QTY.
1	WW4040030	WW4040 - EXTRUDED ALUMINIUM BEAM.	2
2	WW1000040	WW1000 - NYLON TREAD	6
3	WW6215110	WW6215 - 6.3 X 25 HEX HD STITCHING SCREW	12
4	WW2180110	WW2180 - M8 HEX HD FULL NUT GR 8,8	4
5	WW3280110	WW3280 - M8 SPRING WASHER TYPE A GALV	4
6	WW3180110	WW3180 - M8 PLAIN WASHER FORM A GALV	4
7	WW1120110	WW1120 - M8 x 20 HEX HD GR 8,8 SET SCREW	4

APPLICATION

Kee Walk® System provides a safe, anti-slip, level walking surface for means of access to and across roofs. It provides a demarcation route which protects the roof membrane from unnecessary foot traffic and potential damage. Pre-assembled in 1,5m unit. Hinged bracket at rear. Rotating Cam Arm at front – rotating angle 0° to 5°.

COMPONENT SPECIFICATION

Material	Aluminium Alloy / High Grade Nylon / Mild Steel
Finish	Aluminium, Nylon - Natural / Sheradised
Weight	12 kg

Issue Date: 12/10/2021

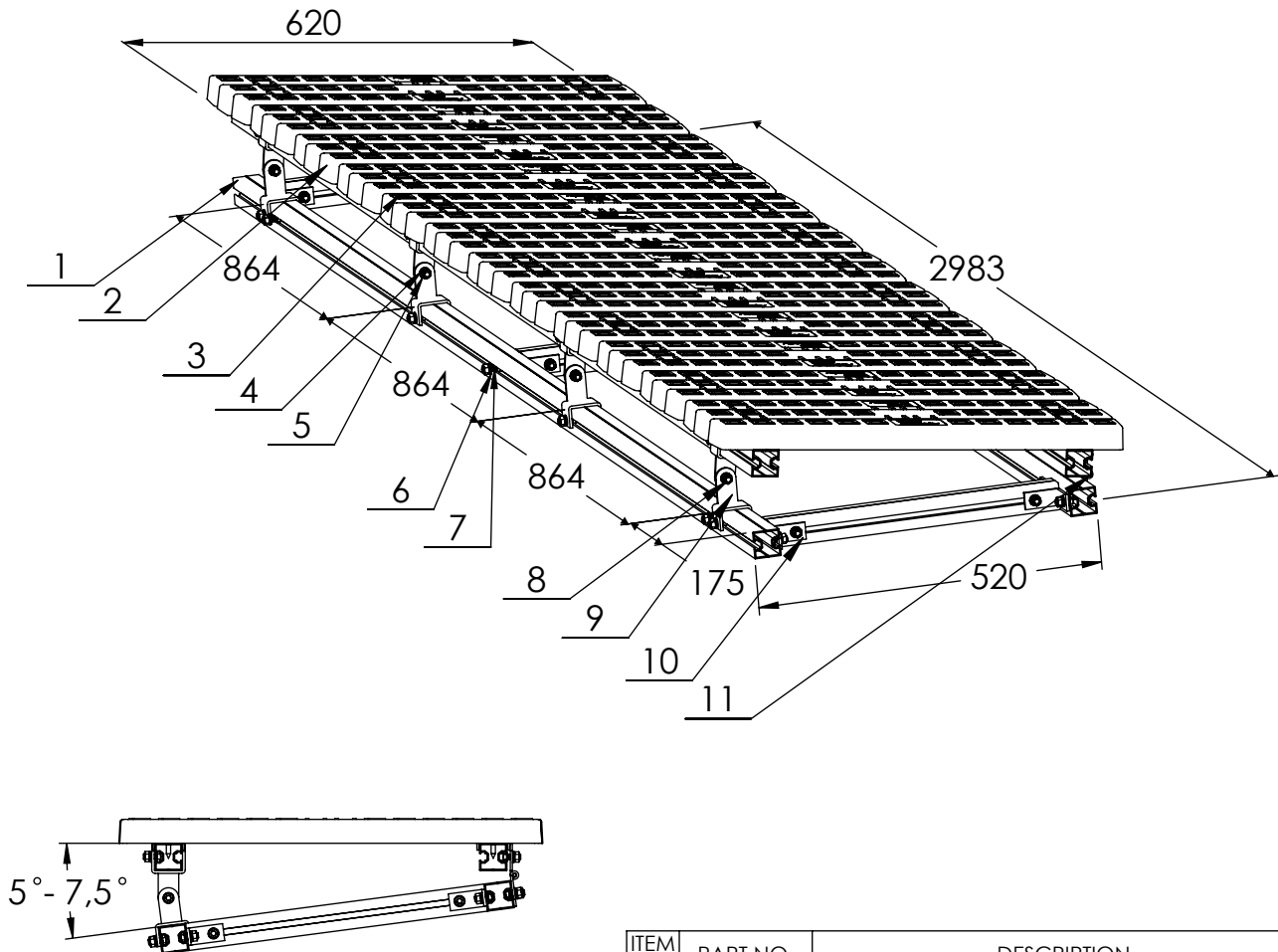
Issue No: 3

Technical Datasheet No: 0003

KWM3 - 3M TRAVERSE MODULE 5 TO 7,5 DEG SLOPE

Part No: WW703ASSY

Short Part No: KWM3



For Stainless Steel option KWM3SS (WW703ASSY)

use below fittings:

ITEM 3 - WW6215150 - 6,2dia x 25mm TEK SCREW-A2-70

ITEM 4 - WW2180150 - M8 HEX FULL NUT-A4-70

ITEM 5 - WW3280150 - M8 SPRING WASHER-A4-70

ITEM 6 - WW3180150 - M8 PLAIN WASHER-A4-70

ITEM 7 - WW1120150 - M8x20mm HEX. SCR.-A4-70

ITEM 8 - WW1125150 - M8x25mm HEX. SCR.-A4-70

ITEM NO.	PART NO.	DESCRIPTION	QTY.
1	WW4040030	WW4040 - EXTRUDED ALUMINIUM BEAM.	7
2	WW1000040	WW1000 - NYLON TREAD	12
3	WW6215110	WW6215 - 6.3 X 25 HEX HD STITCHING SCREW	24
4	WW2180110	WW2180 - M8 HEX HD FULL NUT GR 8,8	50
5	WW3280110	WW3280 - M8 SPRING WASHER TYPE A GALV	50
6	WW3180110	WW3180 - M8 PLAIN WASHER FORM A GALV	54
7	WW1120110	WW1120 - M8 x 20 HEX HD GR 8,8 SET SCREW	46
8	WW1125110	WW1125 - M8 x 25 HEX HD GR 8,8 SET SCREW	4
9	WW4694010	WW4694 - TRAVERSE SUPPORT PLATE	8
10	WW5353030	WW5353 - ALUMINIUM 90° CONNECTOR	12
11	WW454ASSY	WW454ASSY - HINGE ASSEMBLY	4

APPLICATION

Kee Walk® System provides a safe, anti-slip, level walking surface for means of access to and across roofs. It provides a demarcation route which protects the roof membrane from unnecessary foot traffic and potential damage. Pre-assembled in 3m unit. Hinged bracket at rear. Rotating Cam Arm at front – rotating angle 5° to 7,5°.

COMPONENT SPECIFICATION

Material	Aluminium Alloy / High Grade Nylon / Mild Steel
Finish	Aluminium, Nylon - Natural / HDG
Weight	35 kg

Issue Date: 12/10/2021

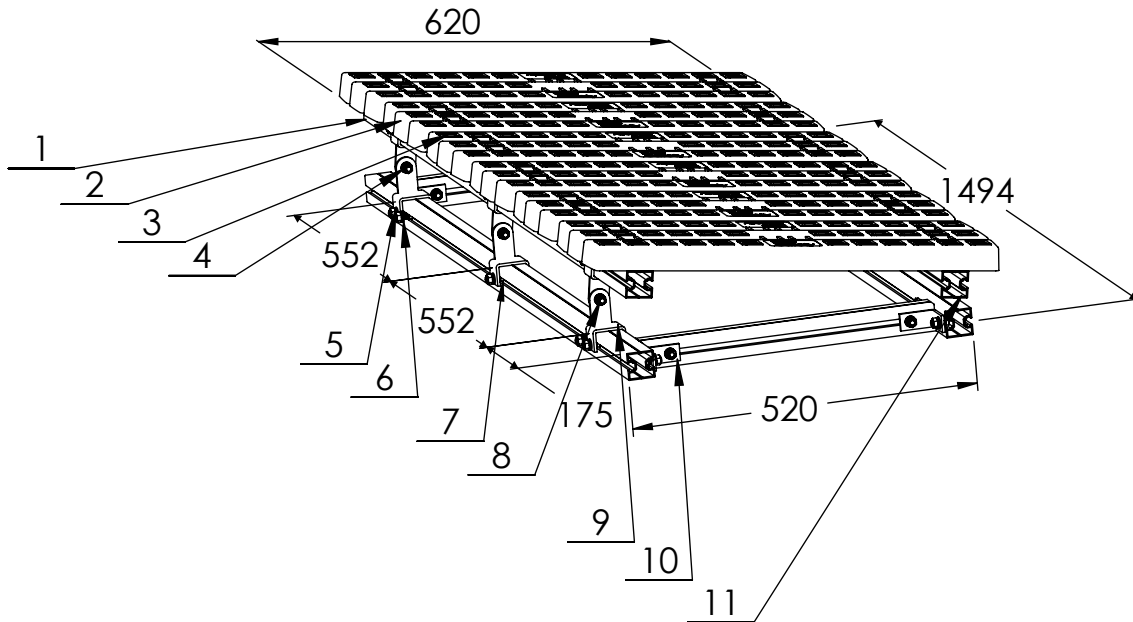
Issue No: 2

Technical Datasheet No: 0004

KWM4 - 1,5M TRAVERSE MODULE 5 TO 7,5 DEG SLOPE

Part No: WW704ASSY

Short Part No: KWM4



For Stainless Steel option KWM4SS (WW804ASSY)

use below fittings:

ITEM 3 - WW6215150 - 6,2dia x 25mm TEK SCREW-A2-70

ITEM 4 - WW2180150 - M8 HEX FULL NUT-A4-70

ITEM 5 - WW3280150 - M8 SPRING WASHER-A4-70

ITEM 6 - WW3180150 - M8 PLAIN WASHER-A4-70

ITEM 7 - WW1120150 - M8x20mm HEX. SCR.-A4-70

ITEM 8 - WW1125150 - M8x25mm HEX. SCR.-A4-70

ITEM NO.	PART NO.	DESCRIPTION	QTY.
1	WW4040030	WW4040 - EXTRUDED ALUMINIUM BEAM.	6
2	WW1000040	WW1000 - NYLON TREAD	6
3	WW6215110	WW6215 - 6.3 X 25 HEX HD STITCHING SCREW	12
4	WW2180110	WW2180 - M8 HEX HD FULL NUT GR 8,8	35
5	WW3280110	WW3280 - M8 SPRING WASHER TYPE A GALV	35
6	WW3180110	WW3180 - M8 PLAIN WASHER FORM A GALV	38
7	WW1120110	WW1120 - M8 x 20 HEX HD GR 8,8 SET SCREW	32
8	WW1125110	WW1125 - M8 x 25 HEX HD GR 8,8 SET SCREW	3
9	WW4694010	WW4694 - TRAVERSE SUPPORT PLATE	6
10	WW5353030	WW5353 - ALUMINIUM 90° CONNECTOR	8
11	WW454ASSY	WW454ASSY - HINGE ASSEMBLY	3

APPLICATION

Kee Walk® System provides a safe, anti-slip, level walking surface for means of access to and across roofs. It provides a demarcation route which protects the roof membrane from unnecessary foot traffic and potential damage. Pre-assembled in 1,5m unit. Hinged bracket at rear. Rotating Cam Arm at front – rotating angle 5° to 7,5°.

COMPONENT SPECIFICATION

Material	Aluminium Alloy / High Grade Nylon / Mild Steel
Finish	Aluminium, Nylon - Natural / HDG
Weight	18 kg

Issue Date: 12/10/2021

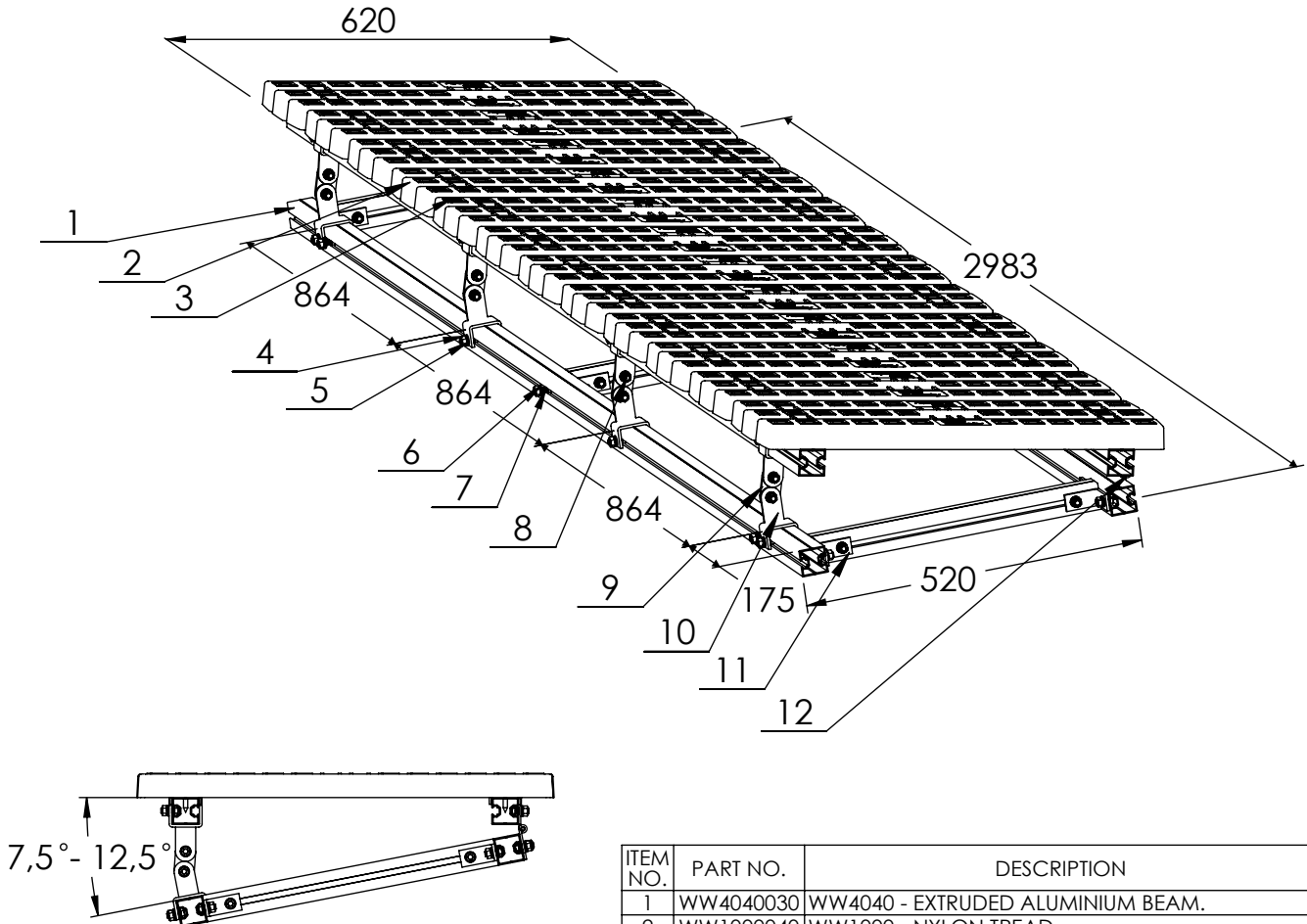
Issue No: 2

Technical Datasheet No: 0005

KWM5 - 3M TRAVERSE MODULE 7,5 TO 12,5 DEG SLOPE

Part No: WW705ASSY

Short Part No: KWM5



For Stainless Steel option KWM5SS (WW805ASSY)

use below fittings:

- ITEM 3 - WW6215150 - 6,2dia x 25mm TEK SCREW-A2-70
- ITEM 4 - WW2180150 - M8 HEX FULL NUT-A4-70
- ITEM 5 - WW3280150 - M8 SPRING WASHER-A4-70
- ITEM 6 - WW3180150 - M8 PLAIN WASHER-A4-70
- ITEM 7 - WW1120150 - M8x20mm HEX. SCR.-A4-70
- ITEM 8 - WW1125150 - M8x25mm HEX. SCR.-A4-70

ITEM NO.	PART NO.	DESCRIPTION	QTY.
1	WW4040030	WW4040 - EXTRUDED ALUMINIUM BEAM.	7
2	WW1000040	WW1000 - NYLON TREAD	12
3	WW6215110	WW6215 - 6.3 X 25 HEX HD STITCHING SCREW	24
4	WW2180110	WW2180 - M8 HEX HD FULL NUT GR 8,8	54
5	WW3280110	WW3280 - M8 SPRING WASHER TYPE A GALV	54
6	WW3180110	WW3180 - M8 PLAIN WASHER FORM A GALV	62
7	WW1120110	WW1120 - M8 x 20 HEX HD GR 8,8 SET SCREW	46
8	WW1125110	WW1125 - M8 x 25 HEX HD GR 8,8 SET SCREW	8
9	WW3060050	WW3060 - TRAVERSE EXTENSION PLATE FOR 10°-15°	4
10	WW4694010	WW4694 - TRAVERSE SUPPORT PLATE	8
11	WW5353030	WW5353 - ALUMINIUM 90° CONNECTOR	12
12	WW454ASSY	WW454ASSY - HINGE ASSEMBLY	4

APPLICATION

Kee Walk® System provides a safe, anti-slip, level walking surface for means of access to and across roofs. It provides a demarcation route which protects the roof membrane from unnecessary foot traffic and potential damage. Pre-assembled in 3m unit. Hinged bracket at rear. Rotating Cam Arm at front – rotating angle 7,5° to 12,5°.

COMPONENT SPECIFICATION

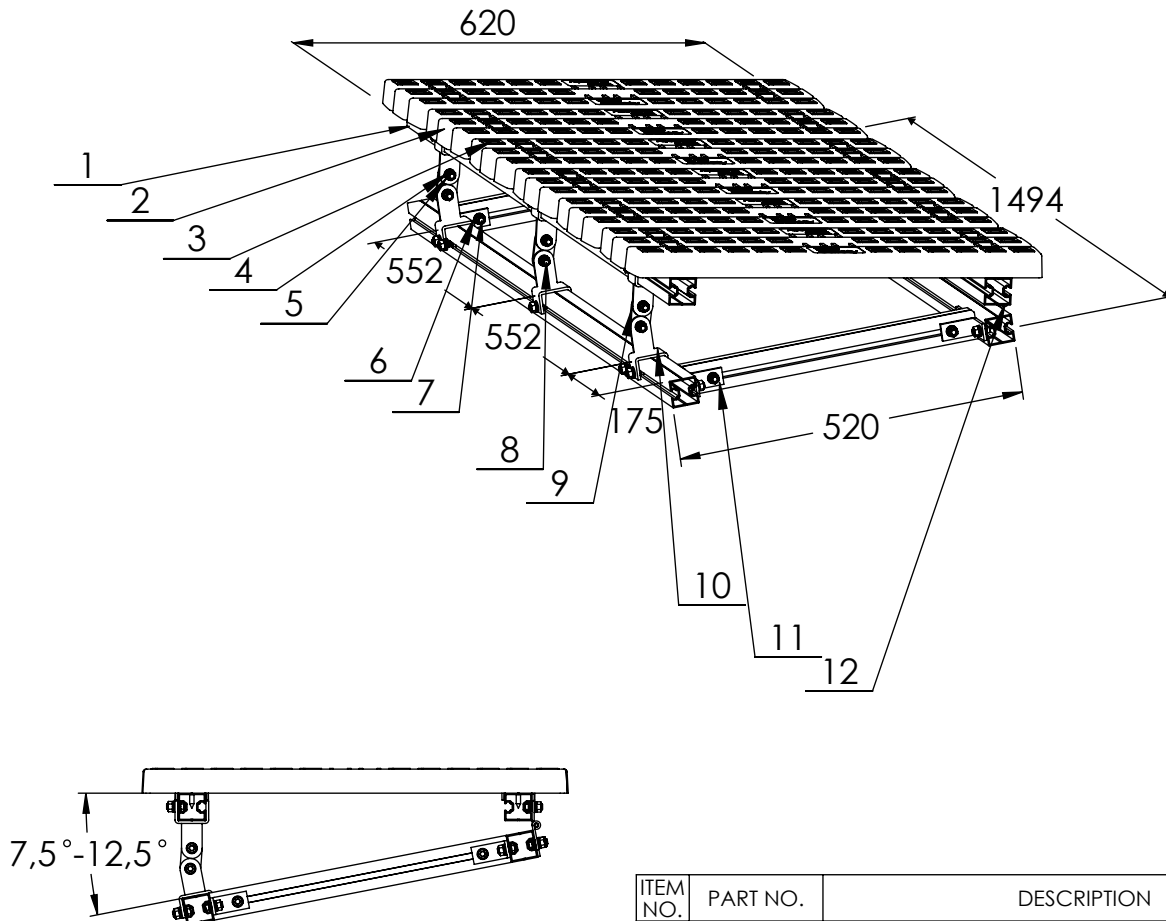
Material	Aluminium Alloy / High Grade Nylon / Mild Steel
Finish	Aluminium, Nylon - Natural / HDG
Weight	36 kg

Technical Datasheet No: 0006

KWM6 - 1,5M TRAVERSE MODULE 7,5 TO 12,5 DEG SLOPE

Part No: WW706ASSY

Short Part No: KWM6



For Stainless Steel option KWM6SS (WW806ASSY)

use below fittings:

ITEM 3 - WW6215150 - 6,2dia x 25mm TEK SCREW-A2-70

ITEM 4 - WW2180150 - M8 HEX FULL NUT-A4-70

ITEM 5 - WW3280150 - M8 SPRING WASHER-A4-70

ITEM 6 - WW3180150 - M8 PLAIN WASHER-A4-70

ITEM 7 - WW1120150 - M8x20mm HEX. SCR.-A4-70

ITEM 8 - WW1125150 - M8x25mm HEX. SCR.-A4-70

ITEM NO.	PART NO.	DESCRIPTION	QTY.
1	WW4040030	WW4040 - EXTRUDED ALUMINIUM BEAM.	6
2	WW1000040	WW1000 - NYLON TREAD	6
3	WW6215110	WW6215 - 6.3 X 25 HEX HD STITCHING SCREW	12
4	WW2180110	WW2180 - M8 HEX HD FULL NUT GR 8,8	38
5	WW3280110	WW3280 - M8 SPRING WASHER TYPE A GALV	38
6	WW3180110	WW3180 - M8 PLAIN WASHER FORM A GALV	44
7	WW1120110	WW1120 - M8 x 20 HEX HD GR 8,8 SET SCREW	32
8	WW1125110	WW1125 - M8 x 25 HEX HD GR 8,8 SET SCREW	6
9	WW3060050	WW3060 - TRAVERSE EXTENSION PLATE FOR 10°-15°	3
10	WW4694010	WW4694 - TRAVERSE SUPPORT PLATE	6
11	WW5353030	WW5353 - ALUMINIUM 90° CONNECTOR	8
12	WW454ASSY	WW454ASSY - HINGE ASSEMBLY	3

APPLICATION

Kee Walk® System provides a safe, anti-slip, level walking surface for means of access to and across roofs. It provides a demarcation route which protects the roof membrane from unnecessary foot traffic and potential damage. Pre-assembled in 1,5m unit. Hinged bracket at rear. Rotating Cam Arm at front – rotating angle 7,5° to 12,5°.

COMPONENT SPECIFICATION

Material	Aluminium Alloy / High Grade Nylon / Mild Steel
Finish	Aluminium, Nylon - Natural / HDG
Weight	19 kg

Issue Date: 12/10/2021

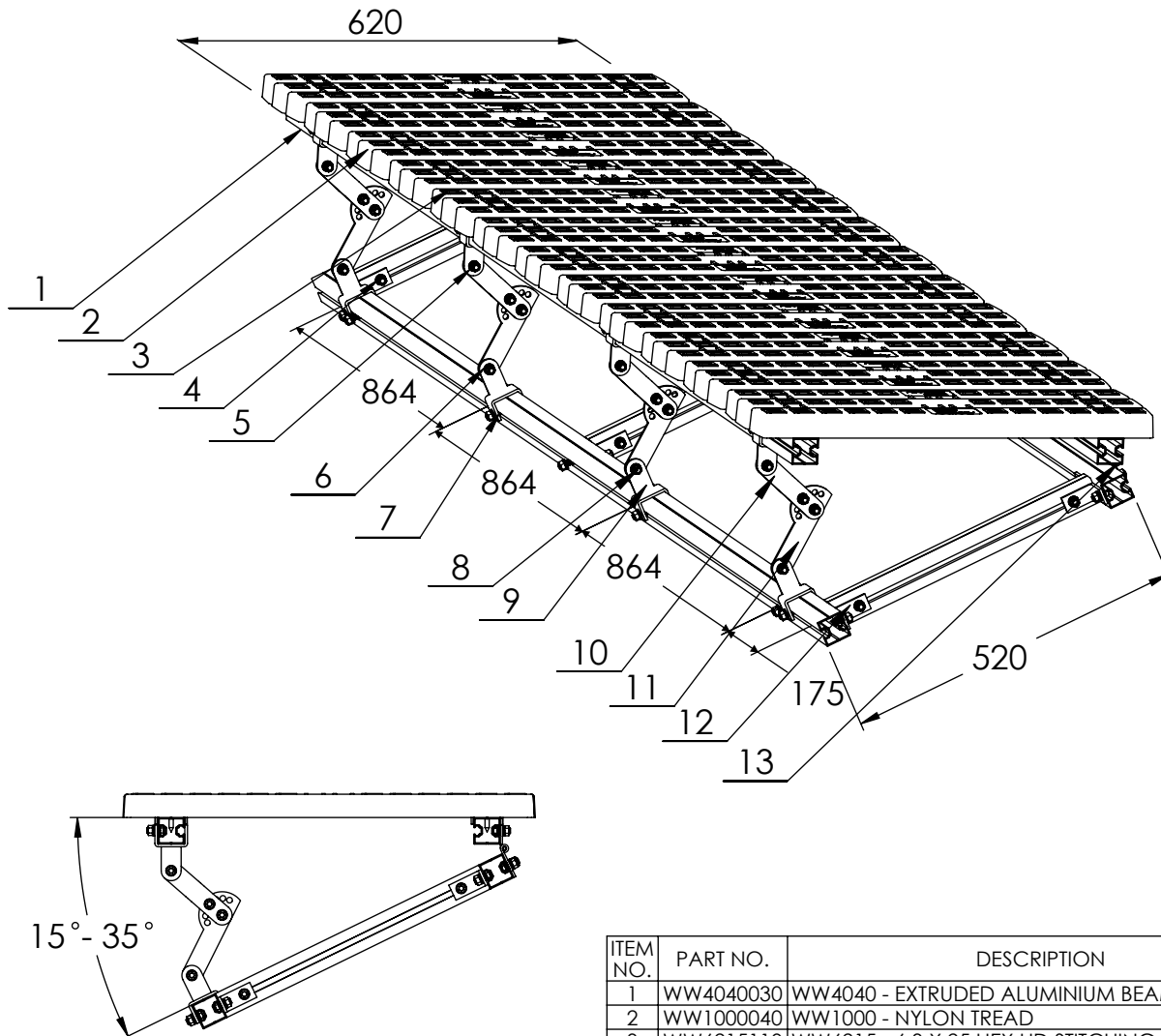
Issue No: 2

Technical Datasheet No: 0007

KWM7 - 3M TRAVERSE MODULE 15 TO 35 DEG SLOPE

Part No: WW707ASSY

Short Part No: KWM7



For Stainless Steel option KWM7SS (WW807ASSY)

use below fittings:

ITEM 3 - WW6215150 - 6,2dia x 25mm TEK SCREW-A2-70

ITEM 4 - WW2180150 - M8 HEX FULL NUT-A4-70

ITEM 5 - WW3280150 - M8 SPRING WASHER-A4-70

ITEM 6 - WW3180150 - M8 PLAIN WASHER-A4-70

ITEM 7 - WW1120150 - M8x20mm HEX. SCR.-A4-70

ITEM 8 - WW1125150 - M8x25mm HEX. SCR.-A4-70

ITEM NO.	PART NO.	DESCRIPTION	QTY.
1	WW4040030	WW4040 - EXTRUDED ALUMINIUM BEAM.	7
2	WW1000040	WW1000 - NYLON TREAD	12
3	WW6215110	WW6215 - 6.3 X 25 HEX HD STITCHING SCREW	24
4	WW2180110	WW2180 - M8 HEX HD FULL NUT GR 8,8	62
5	WW3280110	WW3280 - M8 SPRING WASHER TYPE A GALV	62
6	WW3180110	WW3180 - M8 PLAIN WASHER FORM A GALV	78
7	WW1120110	WW1120 - M8 x 20 HEX HD GR 8,8 SET SCREW	46
8	WW1125110	WW1125 - M8 x 25 HEX HD GR 8,8 SET SCREW	16
9	WW4694010	WW4694 - TRAVERSE SUPPORT PLATE	8
10	WW3013010	WW3010 - STEP SUPPORT SECONDARY PLATE	4
11	WW3013110	WW3011 - STEP SUPPORT LOCATING PLATE	4
12	WW5353030	WW5353 - ALUMINIUM 90° CONNECTOR	12
13	WW454ASSY	WW454ASSY - HINGE ASSEMBLY	4

APPLICATION

Kee Walk® System provides a safe, anti-slip, level walking surface for means of access to and across roofs. It provides a demarcation route which protects the roof membrane from unnecessary foot traffic and potential damage. Pre-assembled in 3m unit. Hinged bracket at rear. Rotating Cam Arm at front – rotating angle 15° to 35°.

COMPONENT SPECIFICATION

Material	Aluminium Alloy / High Grade Nylon / Mild Steel
Finish	Aluminium, Nylon - Natural / HDG
Weight	41 kg

Issue Date: 12/10/2021

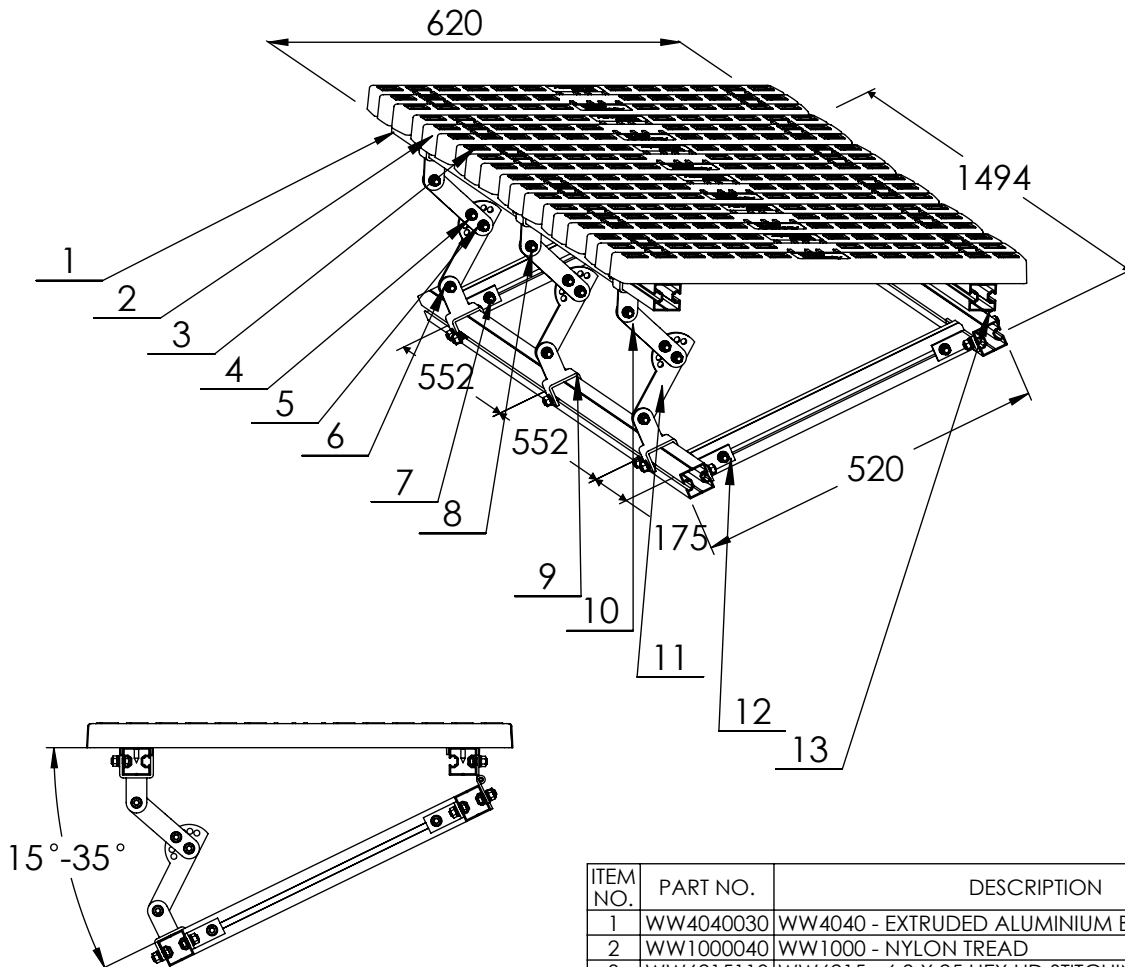
Issue No: 2

Technical Datasheet No: 0008

KWM8 - 1,5M TRAVERSE MODULE 15 TO 35 DEG SLOPE

Part No: WW708ASSY

Short Part No: KWM8



For Stainless Steel option KWM8SS (WW708ASSY) use below fittings:

- ITEM 3 - WW6215150 - 6,2dia x 25mm TEK SCREW-A2-70
- ITEM 4 - WW2180150 - M8 HEX FULL NUT-A4-70
- ITEM 5 - WW3280150 - M8 SPRING WASHER-A4-70
- ITEM 6 - WW3180150 - M8 PLAIN WASHER-A4-70
- ITEM 7 - WW1120150 - M8x20mm HEX. SCR.-A4-70
- ITEM 8 - WW1125150 - M8x25mm HEX. SCR.-A4-70

ITEM NO.	PART NO.	DESCRIPTION	QTY.
1	WW4040030	WW4040 - EXTRUDED ALUMINIUM BEAM.	6
2	WW1000040	WW1000 - NYLON TREAD	6
3	WW6215110	WW6215 - 6.3 X 25 HEX HD STITCHING SCREW	12
4	WW2180110	WW2180 - M8 HEX HD FULL NUT GR 8,8	44
5	WW3280110	WW3280 - M8 SPRING WASHER TYPE A GALV	44
6	WW3180110	WW3180 - M8 PLAIN WASHER FORM A GALV	56
7	WW1120110	WW1120 - M8 x 20 HEX HD GR 8,8 SET SCREW	32
8	WW1125110	WW1125 - M8 x 25 HEX HD GR 8,8 SET SCREW	12
9	WW4694010	WW4694 - TRAVERSE SUPPORT PLATE	6
10	WW3013010	WW3010 - STEP SUPPORT SECONDARY PLATE	3
11	WW3013110	WW3011 - STEP SUPPORT LOCATING PLATE	3
12	WW5353030	WW5353 - ALUMINIUM 90° CONNECTOR	8
13	WW454ASSY	WW454ASSY - HINGE ASSEMBLY	3

APPLICATION

Kee Walk® System provides a safe, anti-slip, level walking surface for means of access to and across roofs. It provides a demarcation route which protects the roof membrane from unnecessary foot traffic and potential damage. Pre-assembled in 1,5m unit. Hinged bracket at rear. Rotating Cam Arm at front – rotating angle 15° to 35°.

COMPONENT SPECIFICATION

Material	Aluminium Alloy / High Grade Nylon / Mild Steel
Finish	Aluminium, Nylon - Natural / HDG
Weight	22 kg

Issue Date: 12/10/2021

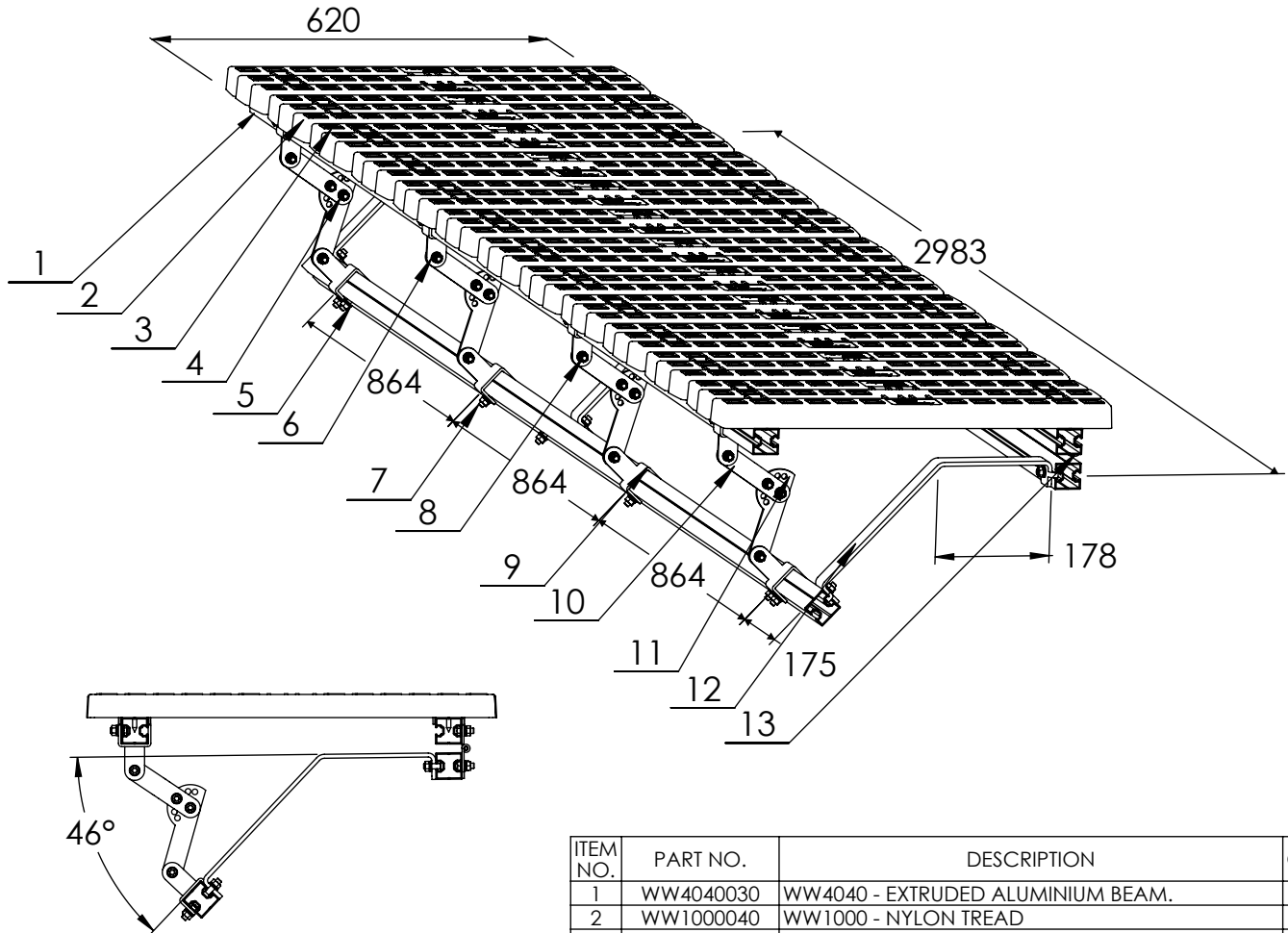
Issue No: 2

Technical Datasheet No: 0009

KWM34 - 3M TRAVERSE MODULE 15 TO 35 DEG SLOPE - FORMED BRACE SPECIAL

Part No: WW734ASSY

Short Part No: KWM34



For Stainless Steel option KWM34SS (WW834ASSY)

use below fittings:

ITEM 3 - WW6215150 - 6,2dia x 25mm TEK SCREW-A2-70

ITEM 4 - WW2180150 - M8 HEX FULL NUT-A4-70

ITEM 5 - WW3280150 - M8 SPRING WASHER-A4-70

ITEM 6 - WW3180150 - M8 PLAIN WASHER-A4-70

ITEM 7 - WW1120150 - M8x20mm HEX. SCR.-A4-70

ITEM 8 - WW1125150 - M8x25mm HEX. SCR.-A4-70

ITEM NO.	PART NO.	DESCRIPTION	QTY.
1	WW4040030	WW4040 - EXTRUDED ALUMINIUM BEAM.	4
2	WW1000040	WW1000 - NYLON TREAD	12
3	WW6215110	WW6215 - 6.3 X 25 HEX HD STITCHING SCREW	24
4	WW2180110	WW2180 - M8 HEX HD FULL NUT GR 8,8	44
5	WW3280110	WW3280 - M8 SPRING WASHER TYPE A GALV	44
6	WW3180110	WW3180 - M8 PLAIN WASHER FORM A GALV	60
7	WW1120110	WW1120 - M8 x 20 HEX HD GR 8,8 SET SCREW	28
8	WW1125110	WW1125 - M8 x 25 HEX HD GR 8,8 SET SCREW	16
9	WW4694010	WW4694 - TRAVERSE SUPPORT PLATE	8
10	WW3013010	WW3010 - STEP SUPPORT SECONDARY PLATE	4
11	WW3013110	WW3011 - STEP SUPPORT LOCATING PLATE	4
12	WW4006010C	WW4006C - TREAD SUPPORT CRANKED BRACKET	3
13	WW454ASSY	WW454ASSY - HINGE ASSEMBLY	4

APPLICATION

Kee Walk® System provides a safe, anti-slip, level walking surface for means of access to and across roofs. It provides a demarcation route which protects the roof membrane from unnecessary foot traffic and potential damage. Pre-assembled in 3m unit. Hinged bracket at rear. Rotating Cam Arm at front – rotating angle 15° to 35°.

COMPONENT SPECIFICATION

Material	Aluminium Alloy / High Grade Nylon / Mild Steel
Finish	Aluminium, Nylon - Natural / HDG
Weight	41 kg

Issue Date: 12/10/2021

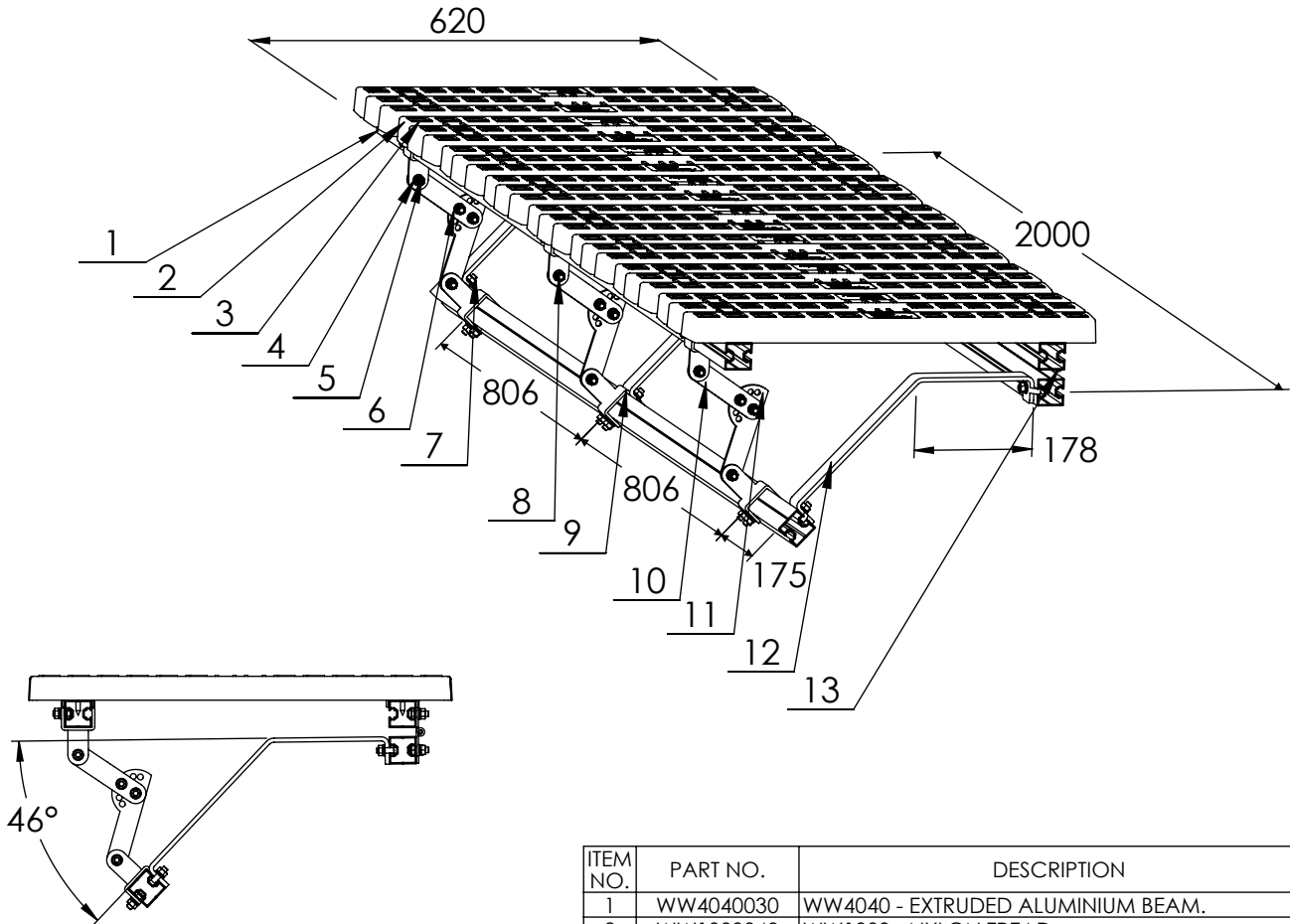
Issue No: 2

Technical Datasheet No: 0010

KWM35 - 2M TRAVERSE MODULE 15 TO 35 DEG SLOPE - FORMED BRACE SPECIAL

Part No: WW735ASSY

Short Part No: KWM35



For Stainless Steel option KWM35SS (WW835ASSY) use below fittings:

- ITEM 3 - WW6215150 - 6,2dia x 25mm TEK SCREW-A2-70
- ITEM 4 - WW2180150 - M8 HEX FULL NUT-A4-70
- ITEM 5 - WW3280150 - M8 SPRING WASHER-A4-70
- ITEM 6 - WW3180150 - M8 PLAIN WASHER-A4-70
- ITEM 7 - WW1120150 - M8x20mm HEX. SCR.-A4-70
- ITEM 8 - WW1125150 - M8x25mm HEX. SCR.-A4-70

ITEM NO.	PART NO.	DESCRIPTION	QTY.
1	WW4040030	WW4040 - EXTRUDED ALUMINIUM BEAM.	4
2	WW1000040	WW1000 - NYLON TREAD	8
3	WW6215110	WW6215 - 6.3 X 25 HEX HD STITCHING SCREW	16
4	WW2180110	WW2180 - M8 HEX HD FULL NUT GR 8,8	36
5	WW3280110	WW3280 - M8 SPRING WASHER TYPE A GALV	36
6	WW3180110	WW3180 - M8 PLAIN WASHER FORM A GALV	48
7	WW1120110	WW1120 - M8 x 20 HEX HD GR 8,8 SET SCREW	24
8	WW1125110	WW1125 - M8 x 25 HEX HD GR 8,8 SET SCREW	12
9	WW4694010	WW4694 - TRAVERSE SUPPORT PLATE	6
10	WW3013010	WW3010 - STEP SUPPORT SECONDARY PLATE	3
11	WW3013110	WW3011 - STEP SUPPORT LOCATING PLATE	3
12	WW4006010C	WW4006C - TREAD SUPPORT CRANKED BRACKET	3
13	WW454ASSY	WW454ASSY - HINGE ASSEMBLY	3

APPLICATION

Kee Walk® System provides a safe, anti-slip, level walking surface for means of access to and across roofs. It provides a demarcation route which protects the roof membrane from unnecessary foot traffic and potential damage. Pre-assembled in 2m unit. Hinged bracket at rear. Rotating Cam Arm at front – rotating angle 15° to 35°.

COMPONENT SPECIFICATION

Material	Aluminium Alloy / High Grade Nylon / Mild Steel
Finish	Aluminium, Nylon - Natural / HDG
Weight	30 kg

Issue Date: 12/10/2021

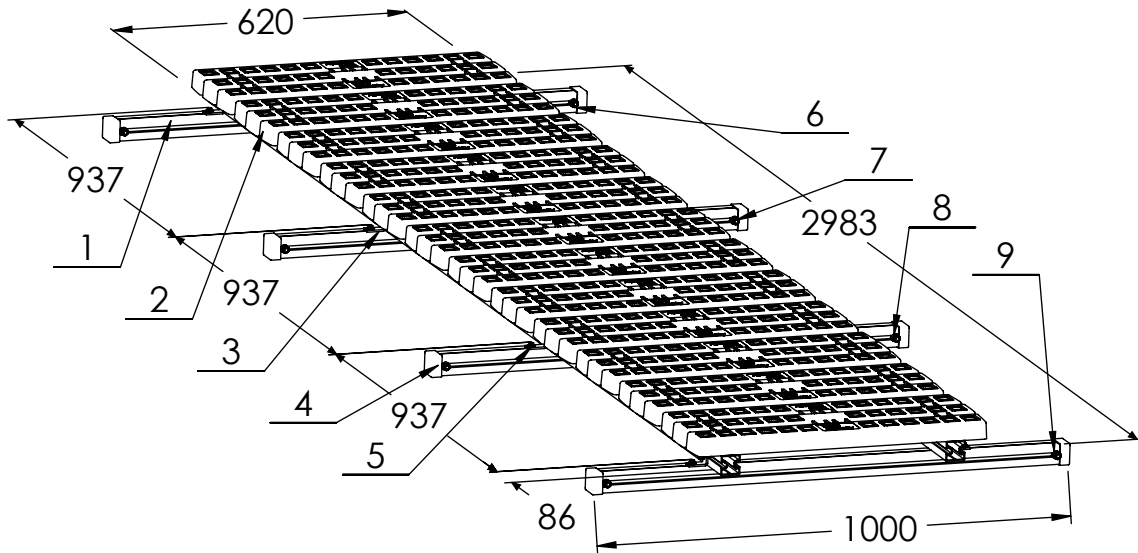
Issue No: 2

Technical Datasheet No: 0011

KWM9 - 3M LONGITUDINAL MODULE 0 TO 5 DEG SLOPE

Part No: WW709ASSY

Short Part No: KWM9



For Stainless Steel option KWM9SS (WW809ASSY)

use below fittings:

ITEM 5 - WW6215150 - 6,2dia x 25mm TEK SCREW-A2-70

ITEM 6 - WW2180150 - M8 HEX FULL NUT-A4-70

ITEM 7 - WW1120150 - M8x20mm HEX. SCR.-A4-70

ITEM 8 - WW3280150 - M8 SPRING WASHER-A4-70

ITEM 9 - WW3180150 - M8 PLAIN WASHER-A4-70

ITEM NO.	PART NO.	DESCRIPTION	QTY.
1	WW4040030	WW4040 - EXTRUDED ALUMINIUM BEAM.	6
2	WW1000040	WW1000 - NYLON TREAD	12
3	WW3939030	WW3939 - ALUMINIUM RETAINING BRACKET	10
4	WW16258CP	WW16258CP - BLACK VINYL PLASTIC CAP	8
5	WW6215110	WW6215 - 6,3 x 25 HEX HD STITCHING SCREW	34
6	WW2180110	WW2180 - M8 HEX HD FULL NUT GR 8,8	18
7	WW1120110	WW1120 - M8 x 20 HEX HD GR 8,8 SET SCREW	18
8	WW3280110	WW3280 - M8 SPRING WASHER TYPE A GALV	18
9	WW3180110	WW3180 - M8 PLAIN WASHER FORM A GALV	18

APPLICATION

Kee Walk® System provides a safe, anti-slip, level walking surface for means of access to and across roofs. It provides a demarcation route which protects the roof membrane from unnecessary foot traffic and potential damage. Pre-assembled in 3m unit. Hinged bracket at rear. Rotating Cam Arm at front – rotating angle 0° to 5°.

COMPONENT SPECIFICATION

Material	Aluminium Alloy / High Grade Nylon / Mild Steel
Finish	Aluminium, Nylon - Natural / Sheradised
Weight	26 kg

Issue Date: 23/06/2017

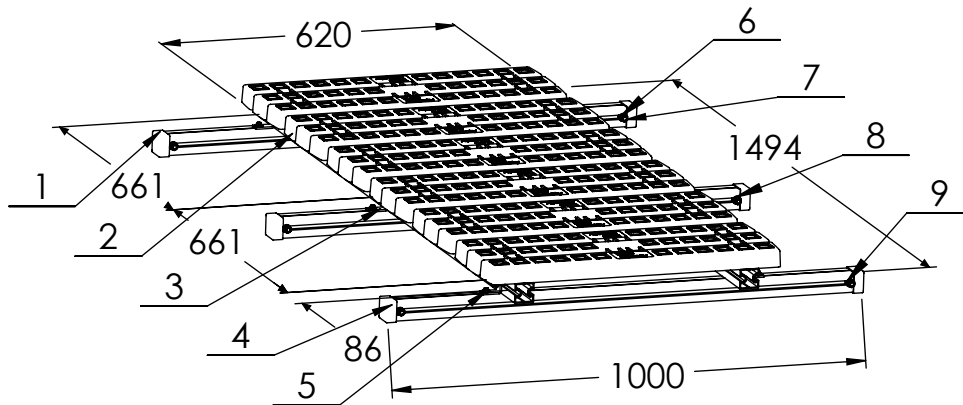
Issue No: 2

Technical Datasheet No: 0012

KWM10 - 1,5M LONGITUDINAL MODULE 0 TO 5 DEG SLOPE

Part No: WW710ASSY

Short Part No: KWM10



For Stainless Steel option KWM10SS (WW810ASSY) use below fittings:

ITEM 5 - WW6215150 - 6,2dia x 25mm TEK SCREW-A2-70

ITEM 6 - WW2180150 - M8 HEX FULL NUT-A4-70

ITEM 7 - WW1120150 - M8x20mm HEX. SCR.-A4-70

ITEM 8 - WW3280150 - M8 SPRING WASHER-A4-70

ITEM 9 - WW3180150 - M8 PLAIN WASHER-A4-70

ITEM NO.	PART NO.	DESCRIPTION	QTY.
1	WW4040030	WW4040 - EXTRUDED ALUMINIUM BEAM.	5
2	WW1000040	WW1000 - NYLON TREAD	6
3	WW3939030	WW3939 - ALUMINIUM RETAINING BRACKET	7
4	WW16258CP	WW16258CP - BLACK VINYL PLASTIC CAP	6
5	WW6215110	WW6215 - 6,3 x 25 HEX HD STITCHING SCREW	19
6	WW2180110	WW2180 - M8 HEX HD FULL NUT GR 8,8	13
7	WW1120110	WW1120 - M8 x 20 HEX HD GR 8,8 SET SCREW	13
8	WW3280110	WW3280 - M8 SPRING WASHER TYPE A GALV	13
9	WW3180110	WW3180 - M8 PLAIN WASHER FORM A GALV	13

APPLICATION

Kee Walk® System provides a safe, anti-slip, level walking surface for means of access to and across roofs. It provides a demarcation route which protects the roof membrane from unnecessary foot traffic and potential damage. Pre-assembled in 1,5m unit. Hinged bracket at rear. Rotating Cam Arm at front – rotating angle 0° to 5°.

COMPONENT SPECIFICATION

Material	Aluminium Alloy / High Grade Nylon / Mild Steel
Finish	Aluminium, Nylon - Natural / Sheradised
Weight	13 kg

Issue Date: 23/06/2017

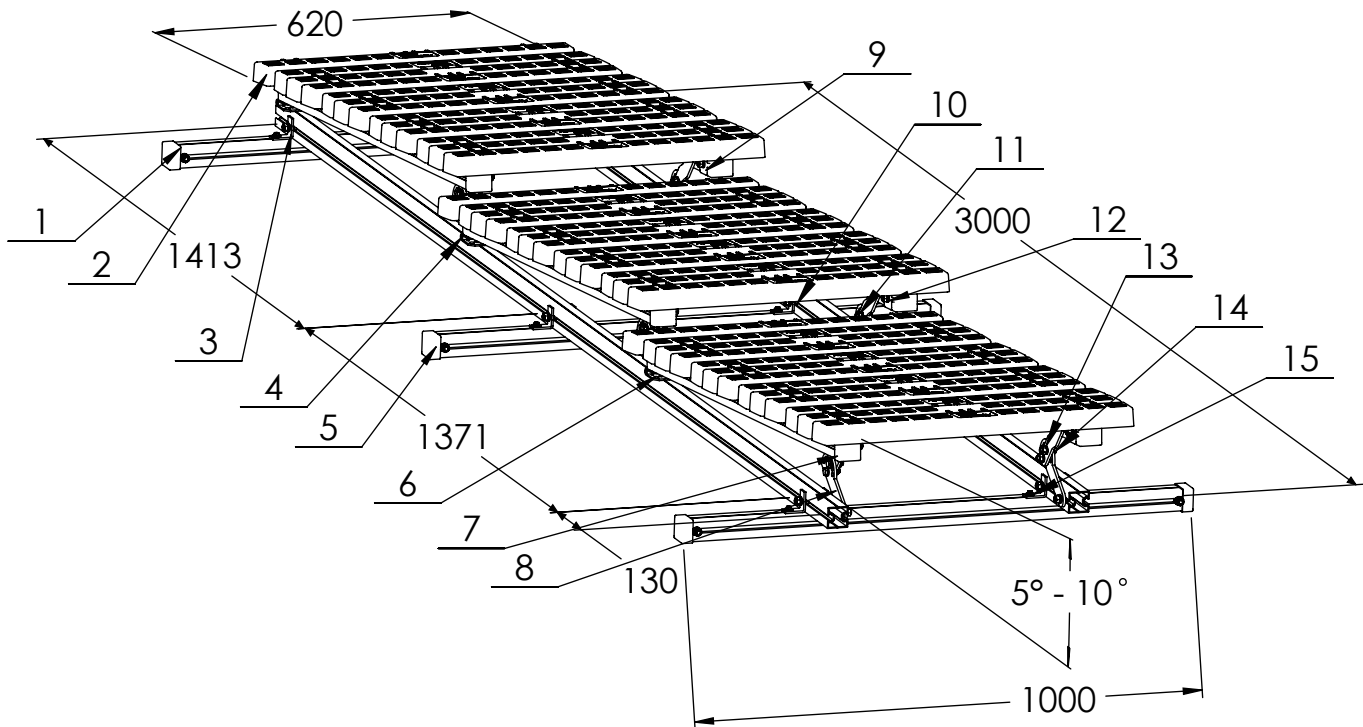
Issue No: 2

Technical Datasheet No: 0013

KWM11 - 3M STEPS MODULE 5 TO 10 DEG SLOPE

Part No: WW711ASSY

Short Part No: KWM11



ITEM NO.	PART NO.	DESCRIPTION	QTY.
1	WW4040030	WW4040 - EXTRUDED ALUMINIUM BEAM.	11
2	WW1000040	WW1000 - NYLON TREAD	13
3	WW3939030	WW3939 - ALUMINIUM RETAINING BRACKET	12
4	WW454ASSY	WW454ASSY - HINGE ASSEMBLY	6
5	WW16258CP	WW16258CP - BLACK VINYL PLASTIC CAP	12
6	WW4810030	WW4810 - 4.8MM X 10MM DOME HEAD ALUM POP RIVET	24
7	WW3013010	WW3010 - STEP SUPPORT SECONDARY PLATE	6
8	WW3013110	WW3011 - STEP SUPPORT LOCATING PLATE	6
9	WW4006010	WW4006 - TREAD SUPPORT BRACKET	3
10	WW1120110	WW1120 - M8 x 20 HEX HD GR 8,8 SET SCREW	36
11	WW2180110	WW2180 - M8 HEX HD FULL NUT GR 8,8	48
12	WW3180110	WW3180 - M8 PLAIN WASHER FORM A GALV	60
13	WW3280110	WW3280 - M8 SPRING WASHER TYPE A GALV	48
14	WW1125110	WW1125 - M8 x 25 HEX HD GR 8,8 SET SCREW	12
15	WW6215110	WW6215 - 6,3 x 25 HEX HD STITCHING SCREW	42

For Stainless Steel option KWM11SS (WW811ASSY) use below fittings:

ITEM 10 - WW1120150 - M8x20mm HEX. SCR.-A4-70

ITEM 11 - WW2180150 - M8 HEX FULL NUT-A4-70

ITEM 12 - WW3180150 - M8 PLAIN WASHER-A4-70

ITEM 13 - WW3280150 - M8 SPRING WASHER-A4-70

ITEM 14 - WW1125150 - M8x25mm HEX. SCR.-A4-70

ITEM 15 - WW6215150 - 6,2dia x 25mm TEK SCREW-A2-70

APPLICATION

Kee Walk® System provides a safe, anti-slip, level walking surface for means of access to and across roofs. It provides a demarcation route which protects the roof membrane from unnecessary foot traffic and potential damage. Pre-assembled in 3m unit. Hinged bracket at rear. Rotating Cam Arm at front – rotating angle 5° to 10°.

COMPONENT SPECIFICATION

Material	Aluminium Alloy / High Grade Nylon / Mild Steel
Finish	Aluminium, Nylon - Natural / HDG
Weight	40 kg

Issue Date: 09/06/2017

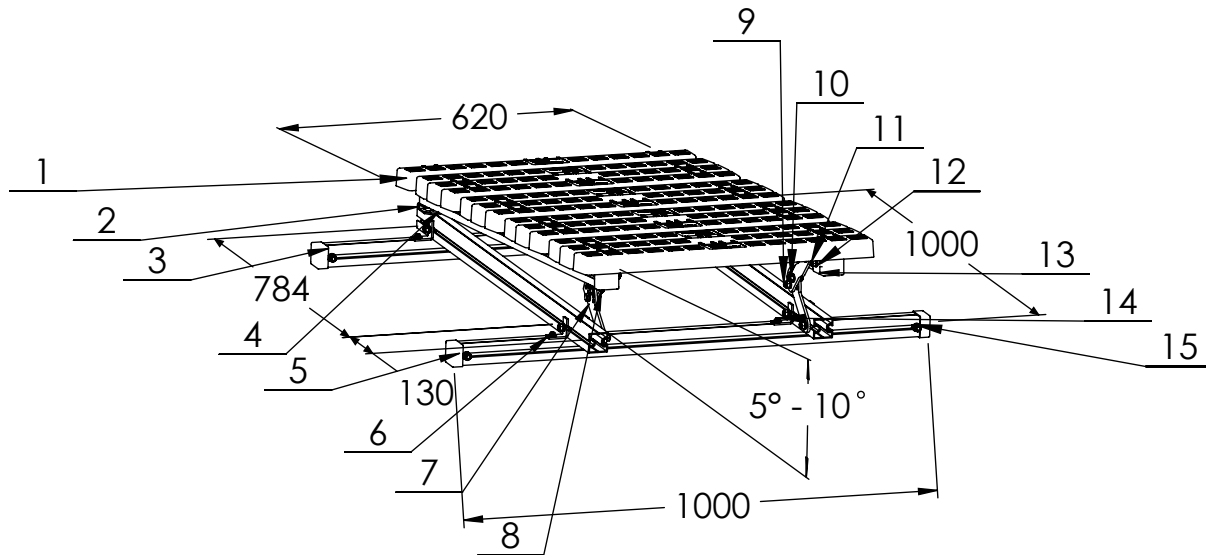
Issue No: 1

Technical Datasheet No: 0014

KWM12 - 1,1M STEPS MODULE 5 TO 10 DEG SLOPE

Part No: WW712ASSY

Short Part No: KWM12



ITEM NO.	PART NO.	DESCRIPTION	QTY.
1	WW1000040	WW1000 - NYLON TREAD	4,33
2	WW454ASSY	WW454ASSY - HINGE ASSEMBLY	2
3	WW4040030	WW4040 - EXTRUDED ALUMINIUM BEAM.	6
4	WW4810030	WW4810 - 4.8MM X 10MM DOME HEAD ALUM POP RIVET	8
5	WW16258CP	WW16258CP - BLACK VINYL PLASTIC CAP	6
6	WW3939030	WW3939 - ALUMINIUM RETAINING BRACKET	8
7	WW3013110	WW3011 - STEP SUPPORT LOCATING PLATE	2
8	WW3013010	WW3010 - STEP SUPPORT SECONDARY PLATE	2
9	WW1125110	WW1125 - M8 x 25 HEX HD GR 8,8 SET SCREW	4
10	WW2180110	WW2180 - M8 HEX HD FULL NUT GR 8,8	22
11	WW1120110	WW1120 - M8 x 20 HEX HD GR 8,8 SET SCREW	18
12	WW3180110	WW3180 - M8 PLAIN WASHER FORM A GALV	26
13	WW4006010	WW4006 - TREAD SUPPORT BRACKET	1
14	WW6215110	WW6215 - 6,3 x 25 HEX HD STITCHING SCREW	18
15	WW3280110	WW3280 - M8 SPRING WASHER TYPE A GALV	22

For Stainless Steel option KWM12SS (WW812ASSY) use below fittings:

ITEM 09 - WW1125150 - M8x25mm HEX. SCR.-A4-70

ITEM 10 - WW2180150 - M8 HEX FULL NUT-A4-70

ITEM 11 - WW1120150 - M8x20mm HEX. SCR.-A4-70

ITEM 12 - WW3180150 - M8 PLAIN WASHER-A4-70

ITEM 14 - WW6215150 - 6,2dia x 25mm TEK SCREW-A2-70

ITEM 15 - WW3280150 - M8 SPRING WASHER-A4-70

APPLICATION

Kee Walk® System provides a safe, anti-slip, level walking surface for means of access to and across roofs. It provides a demarcation route which protects the roof membrane from unnecessary foot traffic and potential damage. Pre-assembled in 1,1m unit. Hinged bracket at rear. Rotating Cam Arm at front – rotating angle 5° to 10°.

COMPONENT SPECIFICATION

Material	Aluminium Alloy / High Grade Nylon / Mild Steel
Finish	Aluminium, Nylon - Natural / HDG
Weight	20 kg

Issue Date: 09/06/2017

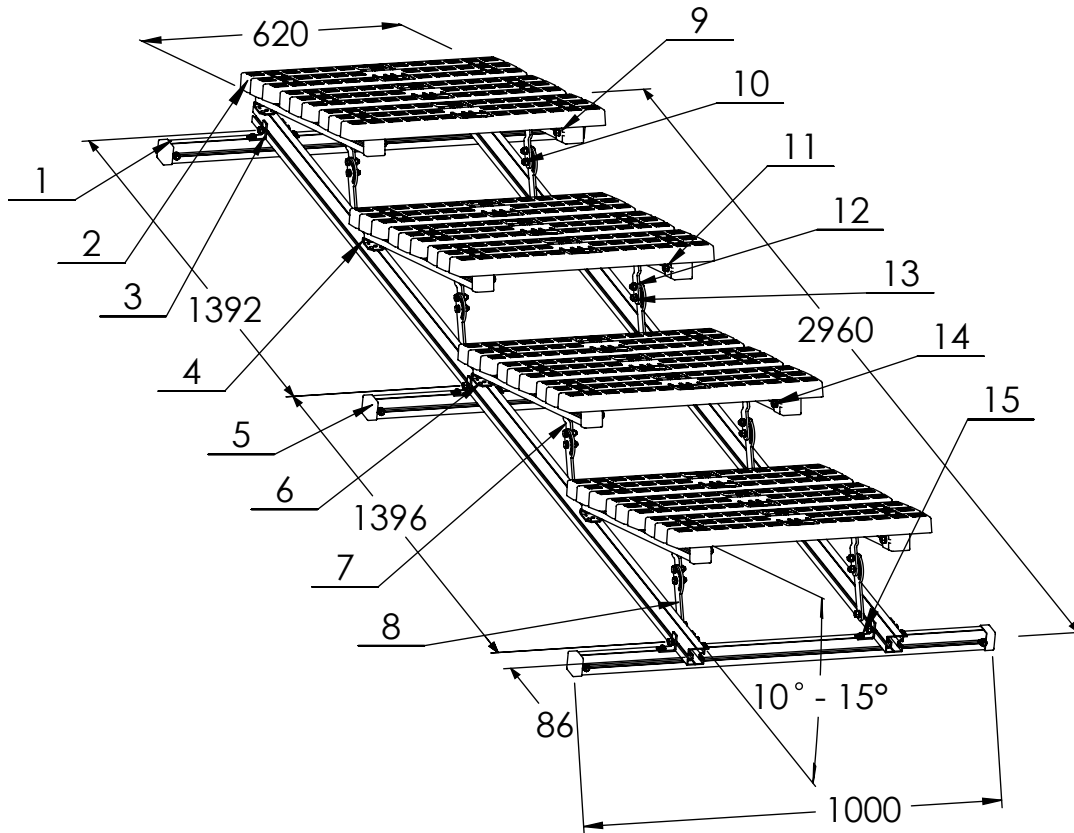
Issue No: 1

Technical Datasheet No: 0015

KWM13 - 3M STEPS MODULE 10 TO 15 DEG SLOPE

Part No: WW713ASSY

Short Part No: KWM13



ITEM NO.	PART NO.	DESCRIPTION	QTY.
1	WW4040030	WW4040 - EXTRUDED ALUMINIUM BEAM.	13
2	WW1000040	WW1000 - NYLON TREAD	12
3	WW3939030	WW3939 - ALUMINIUM RETAINING BRACKET	12
4	WW454ASSY	WW454ASSY - HINGE ASSEMBLY	8
5	WW16258CP	WW16258CP - BLACK VINYL PLASTIC CAP	14
6	WW4810030	WW4810 - 4.8MM X 10MM DOME HEAD ALUM POP RIVET	32
7	WW3013010	WW3010 - STEP SUPPORT SECONDARY PLATE	8
8	WW3013110	WW3011 - STEP SUPPORT LOCATING PLATE	8
9	WW4006010	WW4006 - TREAD SUPPORT BRACKET	4
10	WW1125110	WW1125 - M8 x 25 HEX HD GR 8,8 SET SCREW	16
11	WW3180110	WW3180 - M8 PLAIN WASHER FORM A GALV	74
12	WW3280110	WW3280 - M8 SPRING WASHER TYPE A GALV	58
13	WW2180110	WW2180 - M8 HEX HD FULL NUT GR 8,8	58
14	WW1120110	WW1120 - M8 x 20 HEX HD GR 8,8 SET SCREW	42
15	WW6215110	WW6215 - 6,3 x 25 HEX HD STITCHING SCREW	36

For Stainless Steel option KWM13SS (WW813ASSY) use below fittings:

ITEM 10 - WW1125150 - M8x25mm HEX. SCR.-A4-70

ITEM 11 - WW3180150 - M8 PLAIN WASHER-A4-70

ITEM 12 - WW3280150 - M8 SPRING WASHER-A4-70

ITEM 13 - WW2180150 - M8 HEX FULL NUT-A4-70

ITEM 14 - WW1120150 - M8x20mm HEX. SCR.-A4-70

ITEM 15 - WW6215150 - 6,2dia x 25mm TEK SCREW-A2-70

APPLICATION

Kee Walk® System provides a safe, anti-slip, level walking surface for means of access to and across roofs. It provides a demarcation route which protects the roof membrane from unnecessary foot traffic and potential damage. Pre-assembled in 3m unit. Hinged bracket at rear. Rotating Cam Arm at front – rotating angle 10° to 15°.

COMPONENT SPECIFICATION

Material	Aluminium Alloy / High Grade Nylon / Mild Steel
Finish	Aluminium, Nylon - Natural / HDG
Weight	41 kg

Issue Date: 09/06/2017

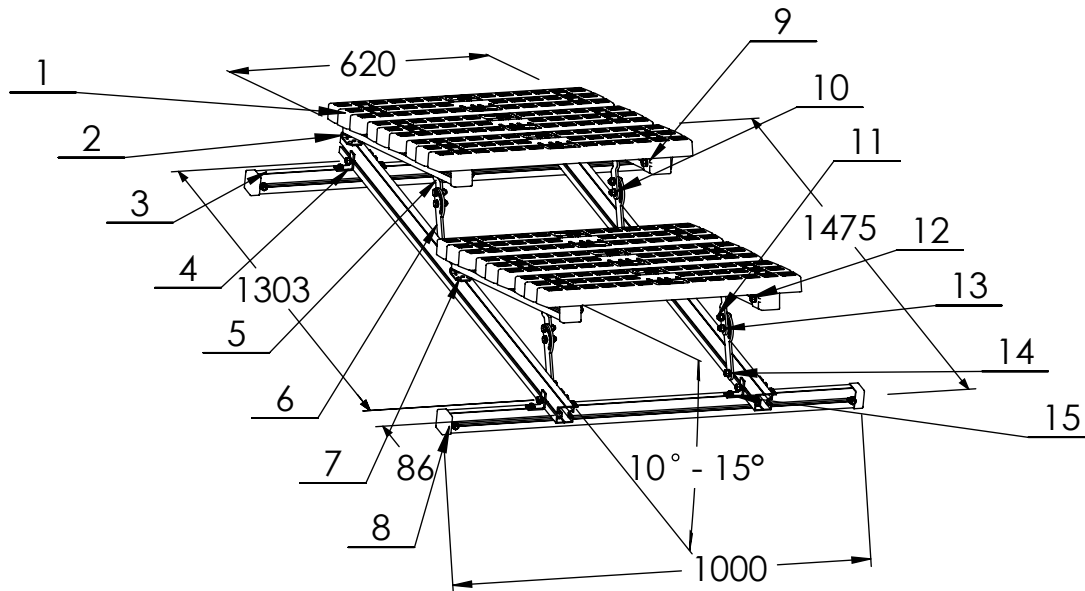
Issue No: 1

Technical Datasheet No: 0016

KWM14 - 1,1M STEPS MODULE 10 TO 15 DEG SLOPE

Part No: WW714ASSY

Short Part No: KWM14



ITEM NO.	PART NO.	DESCRIPTION	QTY.
1	WW1000040	WW1000 - NYLON TREAD	6
2	WW454ASSY	WW454ASSY - HINGE ASSEMBLY	4
3	WW4040030	WW4040 - EXTRUDED ALUMINIUM BEAM.	8
4	WW3939030	WW3939 - ALUMINIUM RETAINING BRACKET	8
5	WW3013010	WW3010 - STEP SUPPORT SECONDARY PLATE	4
6	WW3013110	WW3011 - STEP SUPPORT LOCATING PLATE	4
7	WW4810030	WW4810 - 4.8MM X 10MM DOME HEAD ALUM POP RIVET	16
8	WW16258CP	WW16258CP - BLACK VINYL PLASTIC CAP	8
9	WW4006010	WW4006 - TREAD SUPPORT BRACKET	2
10	WW2180110	WW2180 - M8 HEX HD FULL NUT GR 8,8	32
11	WW1125110	WW1125 - M8 x 25 HEX HD GR 8,8 SET SCREW	8
12	WW1120110	WW1120 - M8 x 20 HEX HD GR 8,8 SET SCREW	24
13	WW3280110	WW3280 - M8 SPRING WASHER TYPE A GALV	32
14	WW3180110	WW3180 - M8 PLAIN WASHER FORM A GALV	40
15	WW6215110	WW6215 - 6,3 x 25 HEX HD STITCHING SCREW	20

For Stainless Steel option KWM14SS (WW814ASSY) use below fittings:

- ITEM 10 - WW2180150 - M8 HEX FULL NUT-A4-70
- ITEM 11 - WW1125150 - M8x25mm HEX. SCR.-A4-70
- ITEM 12 - WW1120150 - M8x20mm HEX. SCR.-A4-70
- ITEM 13 - WW3280150 - M8 SPRING WASHER-A4-70
- ITEM 14 - WW3180150 - M8 PLAIN WASHER-A4-70
- ITEM 15 - WW6215150 - 6,2dia x 25mm TEK SCREW-A2-70

APPLICATION

Kee Walk® System provides a safe, anti-slip, level walking surface for means of access to and across roofs. It provides a demarcation route which protects the roof membrane from unnecessary foot traffic and potential damage. Pre-assembled in 1,1m unit. Hinged bracket at rear. Rotating Cam Arm at front – rotating angle 10° to 15°.

COMPONENT SPECIFICATION

Material	Aluminium Alloy / High Grade Nylon / Mild Steel
Finish	Aluminium, Nylon - Natural / HDG
Weight	22 kg

Issue Date: 09/06/2017

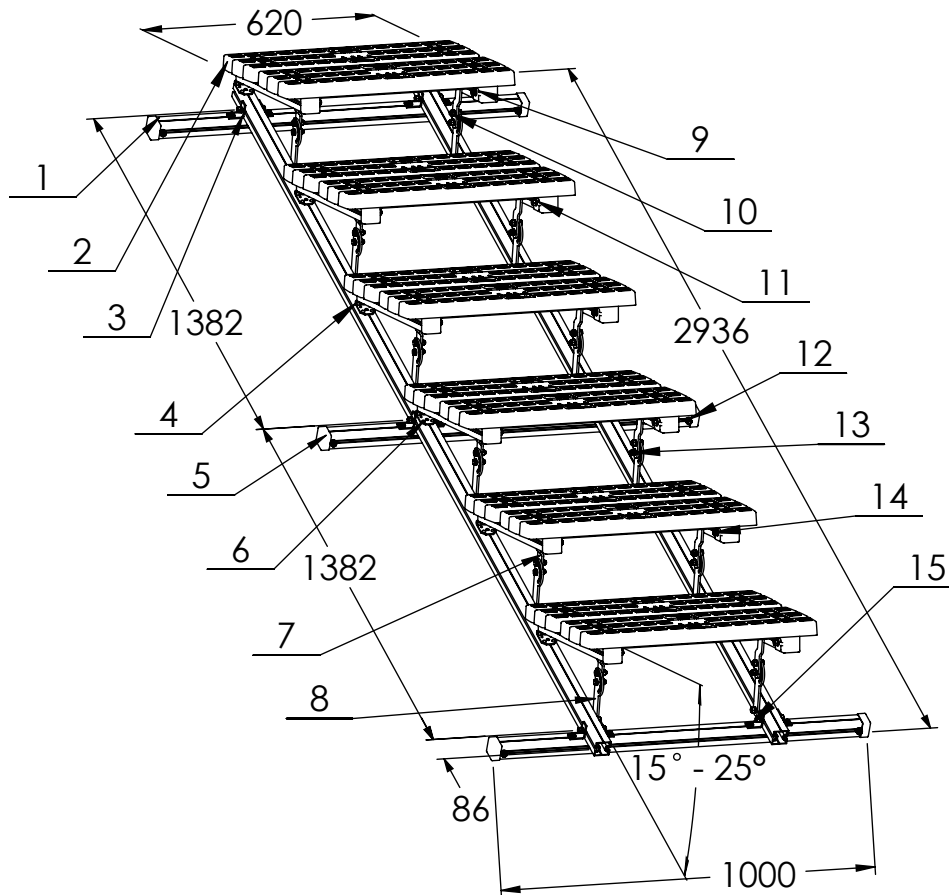
Issue No: 1

Technical Datasheet No: 0017

KWM15 - 3M STEPS MODULE 15 TO 25 DEG SLOPE

Part No: WW715ASSY

Short Part No: KWM15



ITEM NO.	PART NO.	DESCRIPTION	QTY.
1	WW4040030	WW4040 - EXTRUDED ALUMINIUM BEAM.	17
2	WW1000040	WW1000 - NYLON TREAD	12
3	WW3939030	WW3939 - ALUMINIUM RETAINING BRACKET	12
4	WW454ASSY	WW454ASSY - HINGE ASSEMBLY	12
5	WW16258CP	WW16258CP - BLACK VINYL PLASTIC CAP	18
6	WW4810030	WW4810 - 4.8MM X 10MM DOME HEAD ALUM POP RIVET	48
7	WW3013010	WW3010 - STEP SUPPORT SECONDARY PLATE	12
8	WW3013110	WW3011 - STEP SUPPORT LOCATING PLATE	12
9	WW4006010	WW4006 - TREAD SUPPORT BRACKET	6
10	WW1125110	WW1125 - M8 x 25 HEX HD GR 8,8 SET SCREW	24
11	WW3180110	WW3180 - M8 PLAIN WASHER FORM A GALV	102
12	WW3280110	WW3280 - M8 SPRING WASHER TYPE A GALV	78
13	WW2180110	WW2180 - M8 HEX HD FULL NUT GR 8,8	78
14	WW1120110	WW1120 - M8 x 20 HEX HD GR 8,8 SET SCREW	54
15	WW6215110	WW6215 - 6,3 x 25 HEX HD STITCHING SCREW	36

For Stainless Steel option KWM15SS (WW815ASSY) use below fittings:

ITEM 10 - WW1125150 - M8x25mm HEX. SCR.-A4-70

ITEM 11 - WW3180150 - M8 PLAIN WASHER-A4-70

ITEM 12 - WW3280150 - M8 SPRING WASHER-A4-70

ITEM 13 - WW2180150 - M8 FULL NUT-A4-70

ITEM 14 - WW1120150 - M8x20mm HEX. SCR.-A4-70

ITEM 15 - WW6215150 - 6,2dia x 25mm TEK SCREW-A2-70

APPLICATION

Kee Walk® System provides a safe, anti-slip, level walking surface for means of access to and across roofs. It provides a demarcation route which protects the roof membrane from unnecessary foot traffic and potential damage. Pre-assembled in 3m unit. Hinged bracket at rear. Rotating Cam Arm at front – rotating angle 15° to 25°.

COMPONENT SPECIFICATION

Material	Aluminium Alloy / High Grade Nylon / Mild Steel
Finish	Aluminium, Nylon - Natural / HDG
Weight	41 kg

Issue Date: 09/06/2017

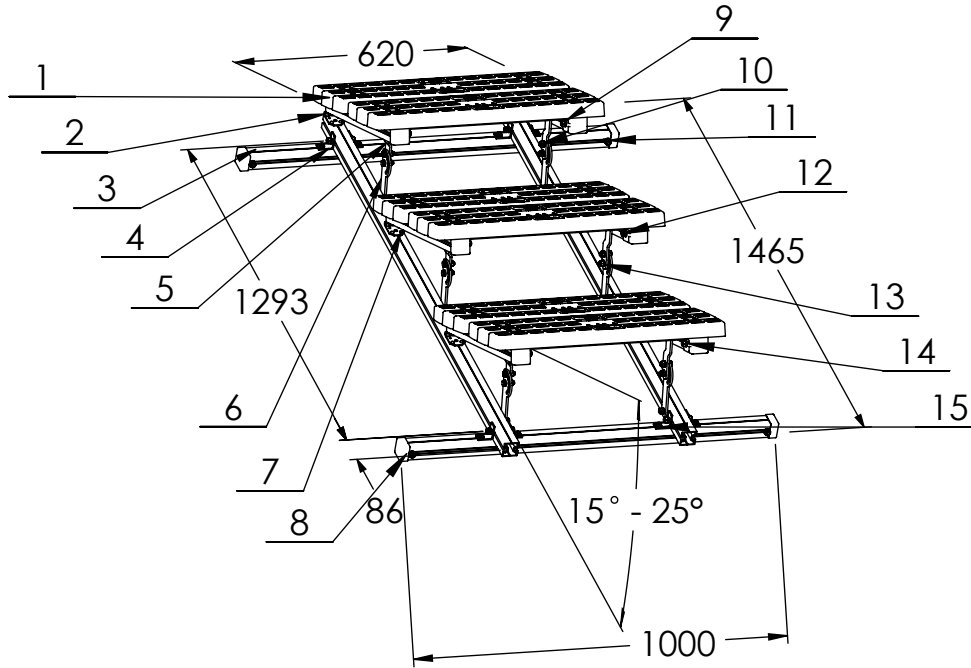
Issue No: 1

Technical Datasheet No: 0018

KWM16 - 1,1M STEPS MODULE 15 TO 25 DEG SLOPE

Part No: WW716ASSY

Short Part No: KWM16



ITEM NO.	PART NO.	DESCRIPTION	QTY.
1	WW1000040	WW1000 - NYLON TREAD	6
2	WW454ASSY	WW454ASSY - HINGE ASSEMBLY	6
3	WW4040030	WW4040 - EXTRUDED ALUMINIUM BEAM.	10
4	WW3939030	WW3939 - ALUMINIUM RETAINING BRACKET	8
5	WW3013010	WW3010 - STEP SUPPORT SECONDARY PLATE	6
6	WW3013110	WW3011 - STEP SUPPORT LOCATING PLATE	6
7	WW4810030	WW4810 - 4.8MM X 10MM DOME HEAD ALUM POP RIVET	24
8	WW16258CP	WW16258CP - BLACK VINYL PLASTIC CAP	10
9	WW4006010	WW4006 - TREAD SUPPORT BRACKET	3
10	WW1125110	WW1125 - M8 x 25 HEX HD GR 8,8 SET SCREW	12
11	WW2180110	WW2180 - M8 HEX HD FULL NUT GR 8,8	42
12	WW1120110	WW1120 - M8 x 20 HEX HD GR 8,8 SET SCREW	30
13	WW3280110	WW3280 - M8 SPRING WASHER TYPE A GALV	42
14	WW3180110	WW3180 - M8 PLAIN WASHER FORM A GALV	54
15	WW6215110	WW6215 - 6,3 x 25 HEX HD STITCHING SCREW	20

For Stainless Steel option KWM16SS (WW816ASSY) use below fittings:

ITEM 10 - WW1125150 - M8x25mm HEX. SCR.-A4-70

ITEM 11 - WW2180150 - M8 HEX FULL NUT-A4-70

ITEM 12 - WW1120150 - M8x20mm HEX. SCR.-A4-70

ITEM 13 - WW3280150 - M8 SPRING WASHER-A4-70

ITEM 14 - WW3180150 - M8 PLAIN WASHER-A4-70

ITEM 15 - WW6215150 - 6,2dia x 25mm TEK SCREW-A2-70

APPLICATION

Kee Walk® System provides a safe, anti-slip, level walking surface for means of access to and across roofs. It provides a demarcation route which protects the roof membrane from unnecessary foot traffic and potential damage. Pre-assembled in 1,1m unit. Hinged bracket at rear. Rotating Cam Arm at front – rotating angle 15° to 25°.

COMPONENT SPECIFICATION

Material	Aluminium Alloy / High Grade Nylon / Mild Steel
Finish	Aluminium, Nylon - Natural / HDG
Weight	22 kg

Issue Date: 09/06/2017

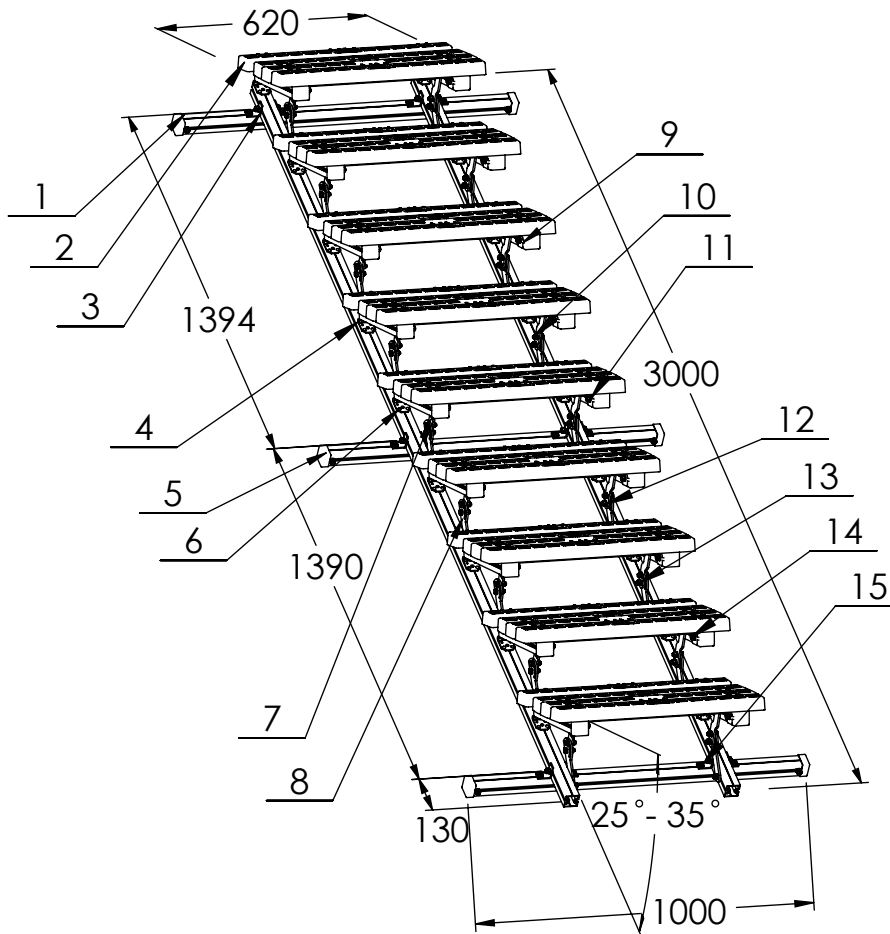
Issue No: 1

Technical Datasheet No: 0019

KWM17 - 3M STEPS MODULE 25 TO 35 DEG SLOPE

Part No: WW717ASSY

Short Part No: KWM17



ITEM NO.	PART NO.	DESCRIPTION	QTY.
1	WW4040030	WW4040 - EXTRUDED ALUMINIUM BEAM.	23
2	WW1000040	WW1000 - NYLON TREAD	12
3	WW3939030	WW3939 - ALUMINIUM RETAINING BRACKET	12
4	WW454ASSY	WW454ASSY - HINGE ASSEMBLY	18
5	WW16258CP	WW16258CP - BLACK VINYL PLASTIC CAP	24
6	WW4810030	WW4810 - 4.8MM X 10MM DOME HEAD ALUM POP RIVET	72
7	WW3013010	WW3010 - STEP SUPPORT SECONDARY PLATE	18
8	WW3013110	WW3011 - STEP SUPPORT LOCATING PLATE	18
9	WW4006010	WW4006 - TREAD SUPPORT BRACKET	9
10	WW1125110	WW1125 - M8 x 25 HEX HD GR 8,8 SET SCREW	36
11	WW3180110	WW3180 - M8 PLAIN WASHER FORM A GALV	144
12	WW3280110	WW3280 - M8 SPRING WASHER TYPE A GALV	108
13	WW2180110	WW2180 - M8 HEX HD FULL NUT GR 8,8	108
14	WW1120110	WW1120 - M8 x 20 HEX HD GR 8,8 SET SCREW	72
15	WW6215110	WW6215 - 6,3 x 25 HEX HD STITCHING SCREW	48

For Stainless Steel option KWM17SS (WW817ASSY) use below fittings:

ITEM 10 - WW1125150 - M8x25mm HEX. SCR.-A4-70

ITEM 11 - WW3180150 - M8 PLAIN WASHER-A4-70

ITEM 12 - WW3280150 - M8 SPRING WASHER-A4-70

ITEM 13 - WW2180150 - M8 HEX FULL NUT-A4-70

ITEM 14 - WW1120150 - M8x20mm HEX. SCR.-A4-70

ITEM 15 - WW6215150 - 6,2dia x 25mm TEK SCREW-A2-70

APPLICATION

Kee Walk® System provides a safe, anti-slip, level walking surface for means of access to and across roofs. It provides a demarcation route which protects the roof membrane from unnecessary foot traffic and potential damage. Pre-assembled in 3m unit. Hinged bracket at rear. Rotating Cam Arm at front – rotating angle 25° to 35°.

COMPONENT SPECIFICATION

Material	Aluminium Alloy / High Grade Nylon / Mild Steel
Finish	Aluminium, Nylon - Natural / HDG
Weight	41 kg

Issue Date: 09/06/2017

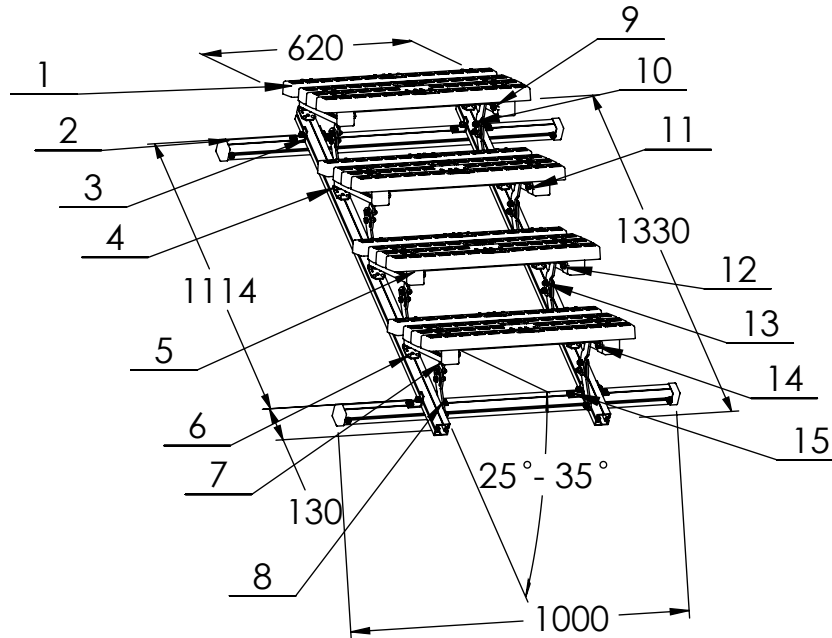
Issue No: 1

Technical Datasheet No: 0020

KWM18 - 1,1M STEPS MODULE 25 TO 35 DEG SLOPE

Part No: WW718ASSY

Short Part No: KWM18



ITEM NO.	PART NO.	DESCRIPTION	QTY.
1	WW1000040	WW1000 - NYLON TREAD	5,33
2	WW4040030	WW4040 - EXTRUDED ALUMINIUM BEAM.	12
3	WW3939030	WW3939 - ALUMINIUM RETAINING BRACKET	8
4	WW454ASSY	WW454ASSY - HINGE ASSEMBLY	8
5	WW16258CP	WW16258CP - BLACK VINYL PLASTIC CAP	12
6	WW4810030	WW4810 - 4.8MM X 10MM DOME HEAD ALUM POP RIVET	32
7	WW3013010	WW3010 - STEP SUPPORT SECONDARY PLATE	8
8	WW3013110	WW3011 - STEP SUPPORT LOCATING PLATE	8
9	WW4006010	WW4006 - TREAD SUPPORT BRACKET	4
10	WW1125110	WW1125 - M8 x 25 HEX HD GR 8,8 SET SCREW	16
11	WW3180110	WW3180 - M8 PLAIN WASHER FORM A GALV	68
12	WW3280110	WW3280 - M8 SPRING WASHER TYPE A GALV	52
13	WW2180110	WW2180 - M8 HEX HD FULL NUT GR 8,8	52
14	WW1120110	WW1120 - M8 x 20 HEX HD GR 8,8 SET SCREW	36
15	WW6215110	WW6215 - 6,3 x 25 HEX HD STITCHING SCREW	24

For Stainless Steel option KWM18SS (WW818ASSY) use below fittings:

ITEM 10 - WW1125150 - M8x25mm HEX. SCR.-A4-70

ITEM 11 - WW3180150 - M8 PLAIN WASHER-A4-70

ITEM 12 - WW3280150 - M8 SPRING WASHER-A4-70

ITEM 13 - WW2180150 - M8 HEX FULL NUT-A4-70

ITEM 14 - WW1120150 - M8x20mm HEX. SCR.-A4-70

ITEM 15 - WW6215150 - 6,2dia x 25mm TEK SCREW-A2-70

APPLICATION

Kee Walk® System provides a safe, anti-slip, level walking surface for means of access to and across roofs. It provides a demarcation route which protects the roof membrane from unnecessary foot traffic and potential damage. Pre-assembled in 1,1m unit. Hinged bracket at rear. Rotating Cam Arm at front – rotating angle 25° to 35°.

COMPONENT SPECIFICATION

Material	Aluminium Alloy / High Grade Nylon / Mild Steel
Finish	Aluminium, Nylon - Natural / HDG
Weight	22 kg

Issue Date: 09/06/2017

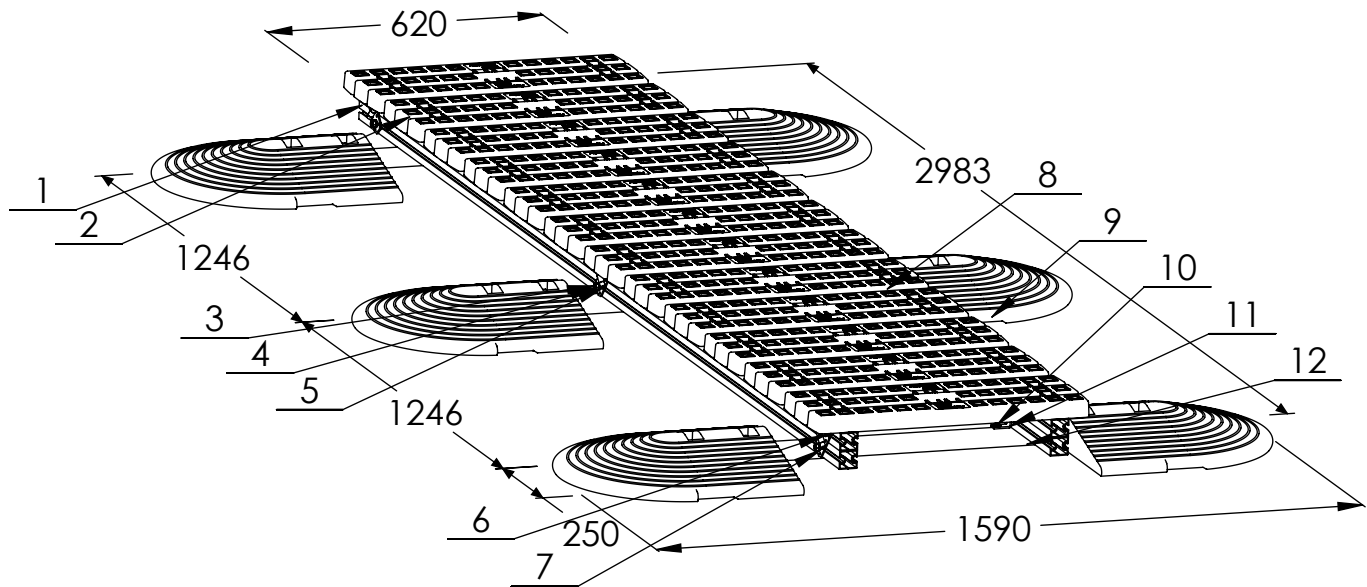
Issue No: 1

Technical Datasheet No: 0021

KWM19 - 3M FREE STANDING MODULE 75 MPH VERSION

Part No: WW719ASSY

Short Part No: KWM19



For Stainless Steel option KWM19SS (WW819ASSY)

use below fittings:

ITEM 3 - WW1120150 - M8x20mm HEX. SCR.-A4-70

ITEM 4 - WW2180150 - M8 HEX FULL NUT-A4-70

ITEM 6 - WW3280150 - M8 SPRING WASHER-A4-70

ITEM 7 - WW3180150 - M8 PLAIN WASHER-A4-70

ITEM 10 - WW6215150 - 6,2dia x 25mm TEK SCREW-A2-70

ITEM NO.	PART NO.	DESCRIPTION	QTY.
1	WW4040030	WW4040 - EXTRUDED ALUMINIUM BEAM.	4
2	WW1000040	WW1000 - NYLON TREAD	12
3	WW1120110	WW1120 - M8 x 20 HEX HD GR 8,8 SET SCREW	18
4	WW2180110	WW2180 - M8 HEX HD FULL NUT GR 8,8	18
5	WW454ASSY	WW454ASSY - HINGE ASSEMBLY	6
6	WW3280110	WW3280 - M8 SPRING WASHER TYPE A GALV	18
7	WW3180110	WW3180 - M8 PLAIN WASHER FORM A GALV	18
8	007470010	74-7 COLLAR	6
9	044070180	440-7 KG-UPVC WEIGHT	6
10	WW6215110	WW6215 - 6,3 x 25 HEX HD STITCHING SCREW	30
11	WW3939030	WW3939 - ALUMINIUM RETAINING BRACKET	6
12	TUBE SIZE 7	Ø 42,4 x 3,2 GALV TUBE @ 1080	3

APPLICATION

Kee Walk® System provides a safe, anti-slip, level walking surface for means of access to and across roofs. It provides a demarcation route which protects the roof membrane from unnecessary foot traffic and potential damage. Pre-assembled in 3m unit.

COMPONENT SPECIFICATION

Material	Aluminium Alloy / High Grade Nylon / PVC / Mild Steel
Finish	Aluminium, Nylon, PVC - Natural / HDG
Weight	128 kg

Issue Date: 09/06/2017

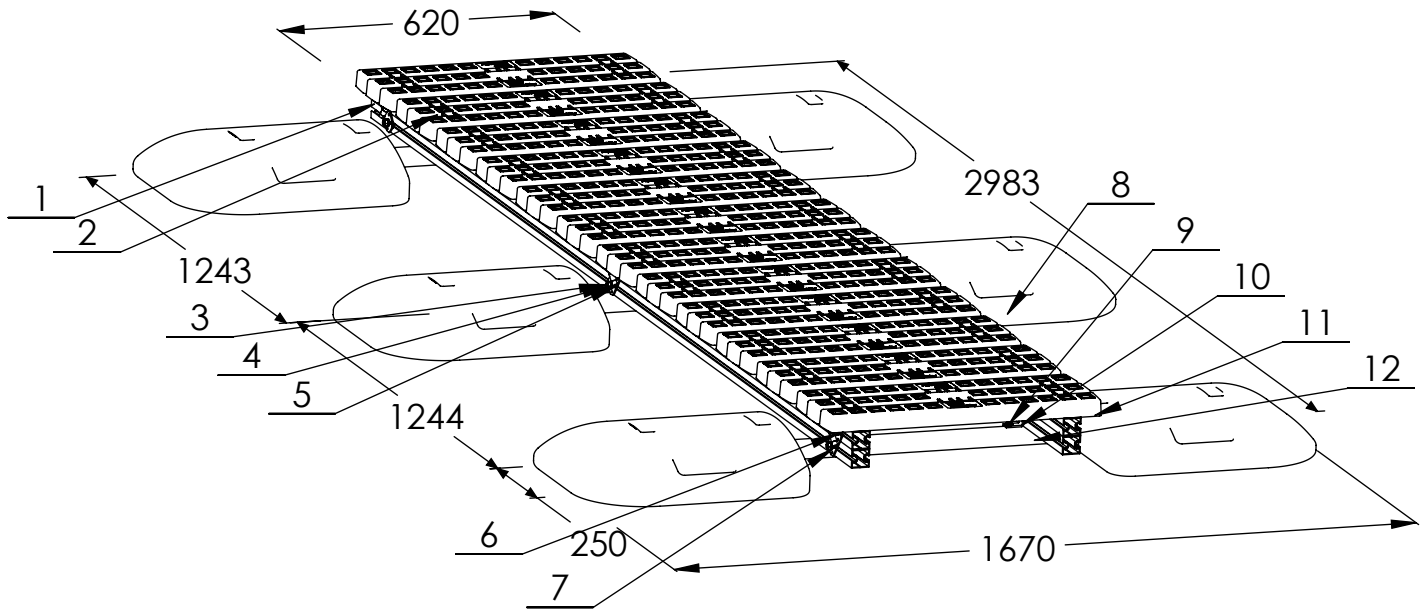
Issue No: 1

Technical Datasheet No: 0022

KWM20 - 3M FREE STANDING MODULE 95 MPH VERSION

Part No: WW720ASSY

Short Part No: KWM20



For Stainless Steel option KWM20SS (WW821ASSY) use below fittings:

ITEM 3 - WW1120150 - M8x20mm HEX. SCR.-A4-70

ITEM 4 - WW2180150 - M8 HEX FULL NUT-A4-70

ITEM 6 - WW3280150 - M8 SPRING WASHER-A4-70

ITEM 7 - WW3180150 - M8 PLAIN WASHER-A4-70

ITEM 9 - WW6215150 - 6,2dia x 25mm TEK SCREW-A2-70

ITEM NO.	PART NO.	DESCRIPTION	QTY.
1	WW4040030	WW4040 - EXTRUDED ALUMINIUM BEAM.	4
2	WW1000040	WW1000 - NYLON TREAD	12
3	WW1120110	WW1120 - M8 x 20 HEX HD GR 8,8 SET SCREW	18
4	WW2180110	WW2180 - M8 HEX HD FULL NUT GR 8,8	18
5	WW454ASSY	WW454ASSY - HINGE ASSEMBLY	6
6	WW3280110	WW3280 - M8 SPRING WASHER TYPE A GALV	18
7	WW3180110	WW3180 - M8 PLAIN WASHER FORM A GALV	18
8	RE11P40	DEFENDER ROOF EDGE COUNTERWEIGHT	6
9	WW6215110	WW6215 - 6,3 x 25 HEX HD STITCHING SCREW	30
10	WW3939030	WW3939 - ALUMINIUM RETAINING BRACKET	6
11	007570010	75-7 COLLAR	6
12	TUBE SIZE 7	Ø 42,4 x 3,2 GALV TUBE @ 1300	3

APPLICATION

Kee Walk® System provides a safe, anti-slip, level walking surface for means of access to and across roofs. It provides a demarcation route which protects the roof membrane from unnecessary foot traffic and potential damage. Pre-assembled in 3m unit.

COMPONENT SPECIFICATION

Material	Aluminium Alloy / High Grade Nylon / PVC / Mild Steel
Finish	Aluminium, Nylon, PVC - Natural / HDG
Weight	204 kg

Issue Date: 09/06/2017

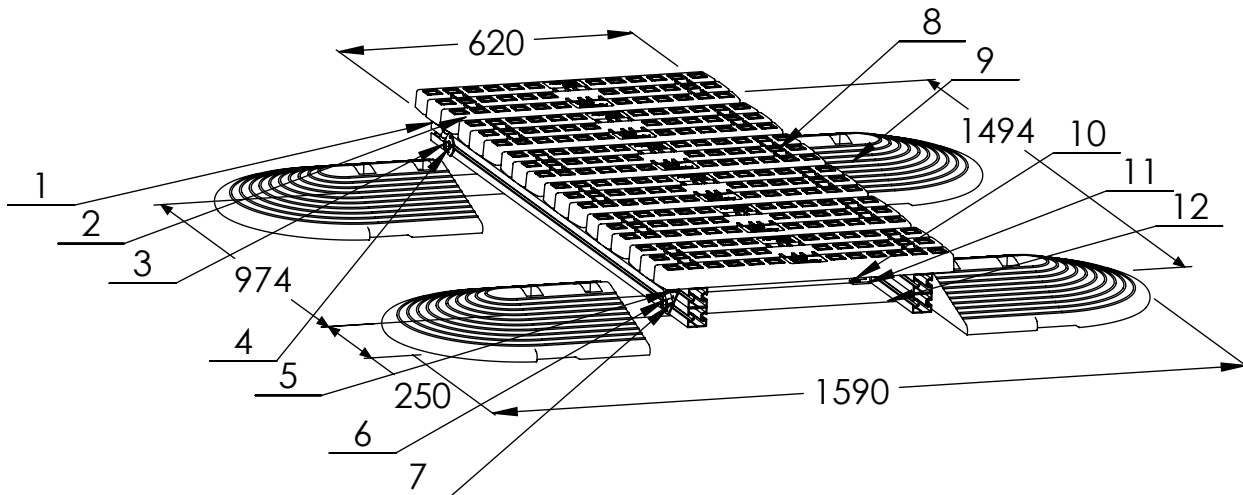
Issue No: 1

Technical Datasheet No: 0023

KWM21 - 1,5M FREE STANDING MODULE 75 MPH VERSION

Part No: WW721ASSY

Short Part No: KWM21



For Stainless Steel option KWM21SS (WW821ASSY)

use below fittings:

ITEM 3 - WW1120150 - M8x20mm HEX. SCR.-A4-70

ITEM 4 - WW2180150 - M8 HEX FULL NUT-A4-70

ITEM 5 - WW3280150 - M8 SPRING WASHER-A4-70

ITEM 6 - WW3180150 - M8 PLAIN WASHER-A4-70

ITEM 10 - WW6215150 - 6,2dia x 25mm TEK SCREW-A2-70

ITEM NO.	PART NO.	DESCRIPTION	QTY.
1	WW4040030	WW4040 - EXTRUDED ALUMINIUM BEAM.	4
2	WW1000040	WW1000 - NYLON TREAD	6
3	WW1120110	WW1120 - M8 x 20 HEX HD GR 8,8 SET SCREW	12
4	WW2180110	WW2180 - M8 HEX HD FULL NUT GR 8,8	12
5	WW3280110	WW3280 - M8 SPRING WASHER TYPE A GALV	12
6	WW3180110	WW3180 - M8 PLAIN WASHER FORM A GALV	12
7	WW454ASSY	WW454ASSY - HINGE ASSEMBLY	4
8	007470010	74-7 COLLAR	4
9	044070180	440-7 KG-UPVC WEIGHT	4
10	WW6215110	WW6215 - 6,3 x 25 HEX HD STITCHING SCREW	16
11	WW3939030	WW3939 - ALUMINIUM RETAINING BRACKET	4
12	TUBE SIZE 7	Ø 42,4 x 3,2 GALV TUBE @ 1080	2

APPLICATION

Kee Walk® System provides a safe, anti-slip, level walking surface for means of access to and across roofs. It provides a demarcation route which protects the roof membrane from unnecessary foot traffic and potential damage. Pre-assembled in 1,5m unit.

COMPONENT SPECIFICATION

Material	Aluminium Alloy / High Grade Nylon / PVC / Mild Steel
Finish	Aluminium, Nylon, PVC - Natural / HDG
Weight	74 kg

Issue Date: 09/06/2017

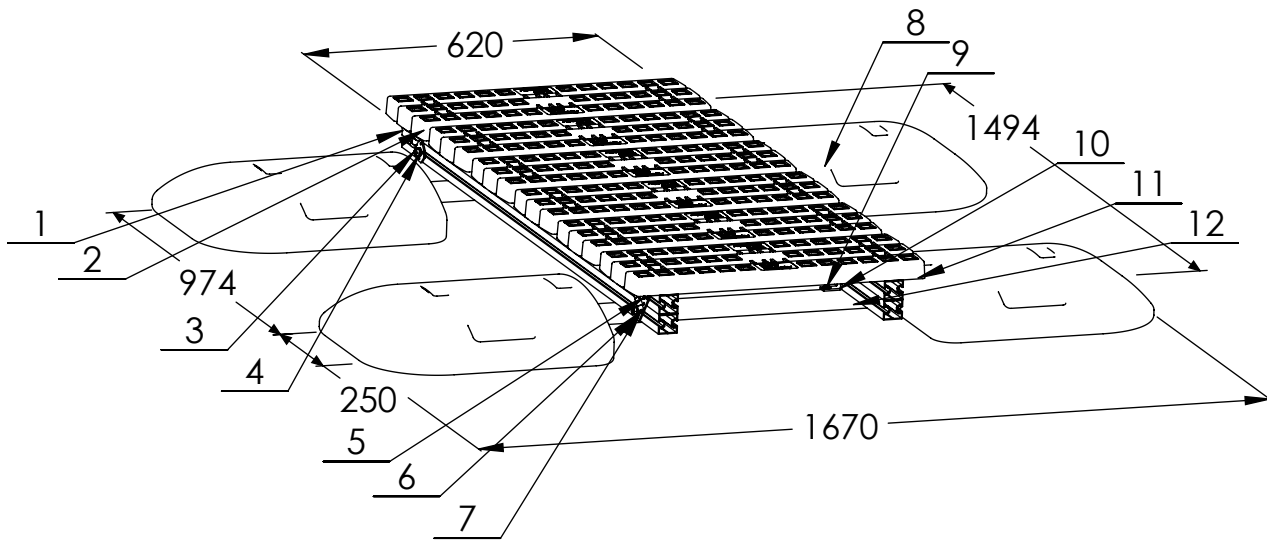
Issue No: 1

Technical Datasheet No: 0024

KWM22 - 1,5M FREE STANDING MODULE 95 MPH VERSION

Part No: WW722ASSY

Short Part No: KWM22



For Stainless Steel option KWM22SS (WW822ASSY)
use below fittings:

ITEM 3 - WW1120150 - M8x20mm HEX. SCR.-A4-70

ITEM 4 - WW2180150 - M8 HEX FULL NUT-A4-70

ITEM 5 - WW3280150 - M8 SPRING WASHER-A4-70

ITEM 6 - WW3180150 - M8 PLAIN WASHER-A4-70

ITEM 9 - WW6215150 - 6,2dia x 25mm TEK SCREW-A2-70

ITEM NO.	PART NO.	DESCRIPTION	QTY.
1	WW4040030	WW4040 - EXTRUDED ALUMINIUM BEAM.	4
2	WW1000040	WW1000 - NYLON TREAD	6
3	WW1120110	WW1120 - M8 x 20 HEX HD GR 8,8 SET SCREW	12
4	WW2180110	WW2180 - M8 HEX HD FULL NUT GR 8,8	12
5	WW3280110	WW3280 - M8 SPRING WASHER TYPE A GALV	12
6	WW3180110	WW3180 - M8 PLAIN WASHER FORM A GALV	12
7	WW454ASSY	WW454ASSY - HINGE ASSEMBLY	4
8	RE11P40	DEFENDER ROOF EDGE COUNTERWEIGHT	4
9	WW6215110	WW6215 - 6,3 x 25 HEX HD STITCHING SCREW	16
10	WW3939030	WW3939 - ALUMINIUM RETAINING BRACKET	4
11	007570010	75-7 COLLAR	4
12	TUBE SIZE 7	Ø 42,4 x 3,2 GALV TUBE @ 1300	2

APPLICATION

Kee Walk® System provides a safe, anti-slip, level walking surface for means of access to and across roofs. It provides a demarcation route which protects the roof membrane from unnecessary foot traffic and potential damage. Pre-assembled in 1,5m unit.

COMPONENT SPECIFICATION

Material	Aluminium Alloy / High Grade Nylon / PVC / Mild Steel
Finish	Aluminium, Nylon, PVC - Natural / HDG
Weight	122 kg

Issue Date: 09/06/2017

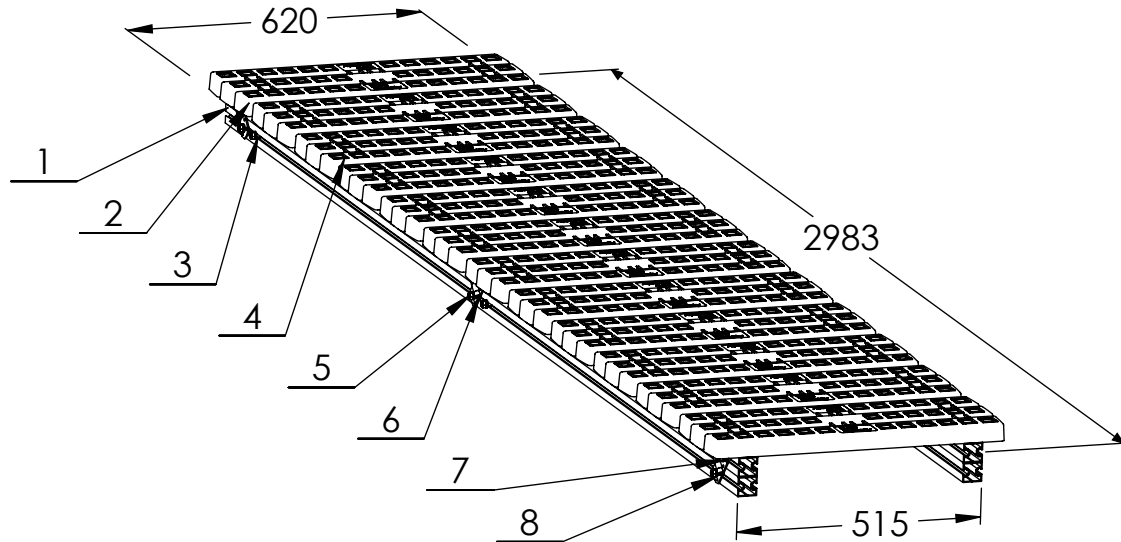
Issue No: 1

Technical Datasheet No: 0025

KWM23 - 3M TRAVERSE MODULE 0 TO 5 deg SLOPE

Part No: WW723ASSY

Short Part No: KWM23



For Stainless Steel option KWM23SS (WW823ASSY) use below fittings:

- ITEM 3 - WW1120150 - M8x20mm HEX. SCR.-A4-70
- ITEM 4 - WW6215150 - 6,2dia x 25mm TEK SCREW-A2-70
- ITEM 5 - WW2180150 - M8 HEX FULL NUT-A4-70
- ITEM 7 - WW3280150 - M8 SPRING WASHER-A4-70
- ITEM 8 - WW3180150 - M8 PLAIN WASHER-A4-70

ITEM NO.	PART NO.	DESCRIPTION	QTY.
1	WW4040030	WW4040 - EXTRUDED ALUMINIUM BEAM.	4
2	WW1000040	WW1000 - NYLON TREAD	12
3	WW1120110	WW1120 - M8 x 20 HEX HD GR 8,8 SET SCREW	18
4	WW6215110	WW6215 - 6,3 x 25 HEX HD STITCHING SCREW	24
5	WW2180110	WW2180 - M8 HEX HD FULL NUT GR 8,8	18
6	WW454ASSY	WW454ASSY - HINGE ASSEMBLY	6
7	WW3280110	WW3280 - M8 SPRING WASHER TYPE A GALV	18
8	WW3180110	WW3180 - M8 PLAIN WASHER FORM A GALV	18

APPLICATION

Kee Walk® System provides a safe, anti-slip, level walking surface for means of access to and across roofs. It provides a demarcation route which protects the roof membrane from unnecessary foot traffic and potential damage. Pre-assembled in 3m unit.

COMPONENT SPECIFICATION

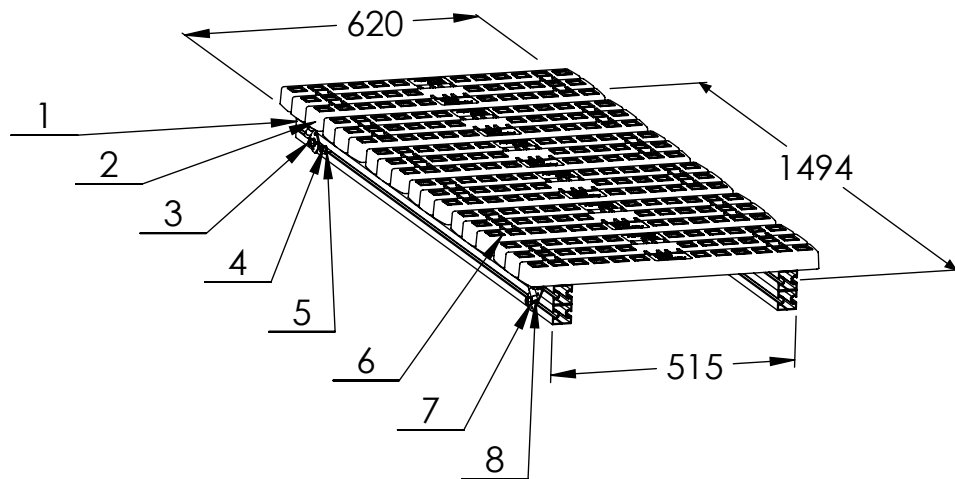
Material	Aluminium Alloy / High Grade Nylon / Mild Steel
Finish	Aluminium, Nylon - Natural / HDG
Weight	30 kg

Technical Datasheet No: 0026

KWM24 - 1,5M TRAVERSE MODULE 0 TO 5 deg SLOPE

Part No: WW724ASSY

Short Part No: KWM24



For Stainless Steel option KWM24SS (WW824ASSY)

use below fittings:

ITEM 3 - WW1120150 - M8x20mm HEX. SCR.-A4-70

ITEM 4 - WW2180150 - M8 HEX FULL NUT-A4-70

ITEM 5 - WW3180150 - M8 PLAIN WASHER-A4-70

ITEM 6 - WW6215150 - 6,2dia x 25mm TEK SCREW-A2-70

ITEM 7 - WW3280150 - M8 SPRING WASHER-A4-70

ITEM NO.	PART NO.	DESCRIPTION	QTY.
1	WW4040030	WW4040 - EXTRUDED ALUMINIUM BEAM.	4
2	WW1000040	WW1000 - NYLON TREAD	6
3	WW1120110	WW1120 - M8 x 20 HEX HD GR 8,8 SET SCREW	12
4	WW2180110	WW2180 - M8 HEX HD FULL NUT GR 8,8	12
5	WW3180110	WW3180 - M8 PLAIN WASHER FORM A GALV	12
6	WW6215110	WW6215 - 6,3 x 25 HEX HD STITCHING SCREW	12
7	WW3280110	WW3280 - M8 SPRING WASHER TYPE A GALV	12
8	WW454ASSY	WW454ASSY - HINGE ASSEMBLY	4

APPLICATION

Kee Walk® System provides a safe, anti-slip, level walking surface for means of access to and across roofs. It provides a demarcation route which protects the roof membrane from unnecessary foot traffic and potential damage. Pre-assembled in 1,5m unit.

COMPONENT SPECIFICATION

Material	Aluminium Alloy / High Grade Nylon / Mild Steel
Finish	Aluminium, Nylon - Natural / HDG
Weight	16 kg

Issue Date: 09/06/2017

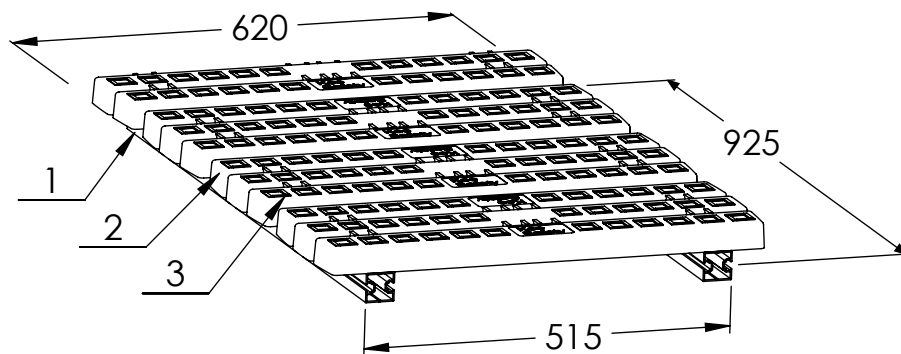
Issue No: 1

Technical Datasheet No: 0027

KWM25 - 0,925M TRAVERSE MODULE 0 TO 5 deg SLOPE

Part No: WW725ASSY

Short Part No: KWM25



For Stainless Steel option KWM25SS (WW825ASSY)

use below fittings:

ITEM 3 - WW6215150 - 6,2dia x 25mm TEK SCREW-A2-70

ITEM NO.	PART NO.	DESCRIPTION	QTY.
1	WW4040030	WW4040 - EXTRUDED ALUMINIUM BEAM.	2
2	WW1000040	WW1000 - NYLON TREAD	4
3	WW6215110	WW6215 - 6,3 x 25 HEX HD STITCHING SCREW	8

APPLICATION

Kee Walk® System provides a safe, anti-slip, level walking surface for means of access to and across roofs. It provides a demarcation route which protects the roof membrane from unnecessary foot traffic and potential damage. Pre-assembled in 0,925m unit.

COMPONENT SPECIFICATION

Material	Aluminium Alloy / High Grade Nylon / Mild Steel
Finish	Aluminium, Nylon - Natural / HDG
Weight	4 kg

Issue Date: 09/06/2017

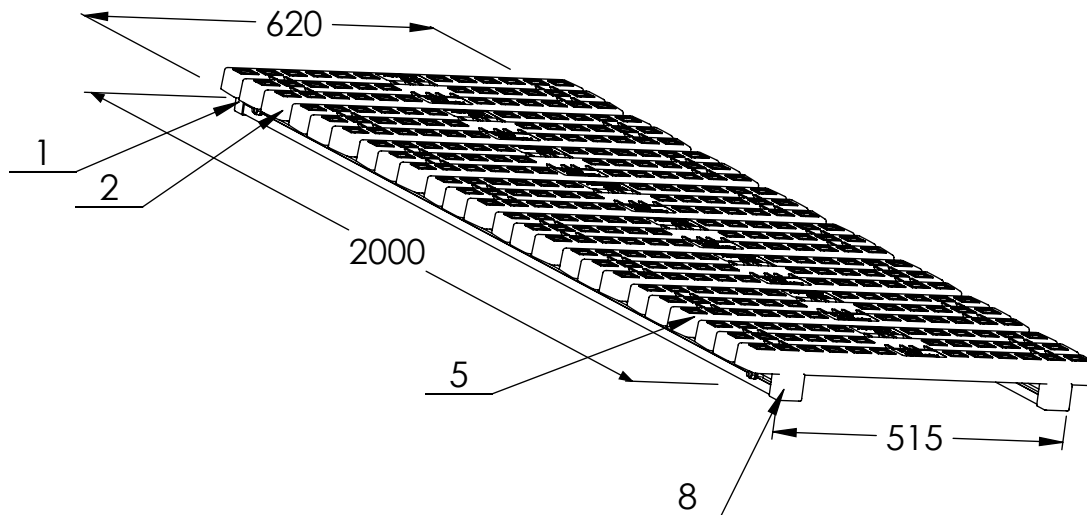
Issue No: 1

Technical Datasheet No: 0028

KWM30 - 2M TRAVERSE MODULE 0 TO 5 deg SLOPE

Part No: WW730ASSY

Short Part No: KWM30



For Stainless Steel option KWM30SS (WW830ASSY) use below fittings:

ITEM 3 - WW1125150 - M8x25mm HEX. SCR.-A4-70

ITEM 4 - WW3280150 - M8 SPRING WASHER-A4-70

ITEM 5 - WW6215150 - 6,2dia x 25mm TEK SCREW-A2-70

ITEM 6 - WW2180150 - M8 HEX FULL NUT-A4-70

ITEM 7 - WW3180150 - M8 PLAIN WASHER-A4-70

ITEM NO.	PART NO.	DESCRIPTION	QTY.
1	WW4040030	WW4040 - EXTRUDED ALUMINIUM BEAM.	2
2	WW1000040	WW1000 - NYLON TREAD	8
3	WW1125110	WW1125 - M8 x 25 HEX HD GR 8,8 SET SCREW	4
4	WW3280110	WW3280 - M8 SPRING WASHER TYPE A GALV	4
5	WW6215110	WW6215 - 6,3 x 25 HEX HD STITCHING SCREW	16
6	WW2180110	WW2180 - M8 HEX HD FULL NUT GR 8,8	4
7	WW3180110	WW3180 - M8 PLAIN WASHER FORM A GALV	4
8	WW16258CP	WW16258CP - BLACK VINYL PLASTIC CAP	4

APPLICATION

Kee Walk® System provides a safe, anti-slip, level walking surface for means of access to and across roofs. It provides a demarcation route which protects the roof membrane from unnecessary foot traffic and potential damage. Pre-assembled in 2m unit.

COMPONENT SPECIFICATION

Material	Aluminium Alloy / High Grade Nylon / Mild Steel
Finish	Aluminium, Nylon - Natural / Sheradised
Weight	16,84 kg

Issue Date: 23/06/2017

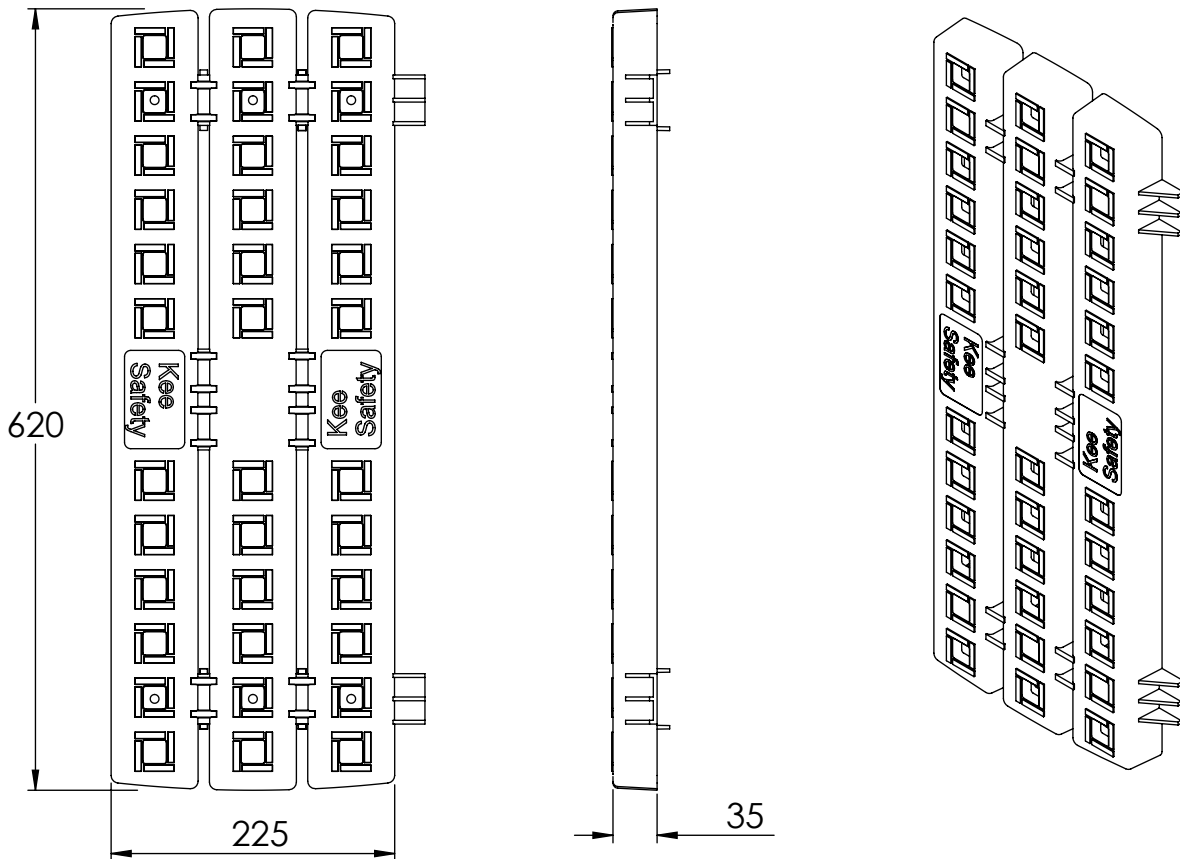
Issue No: 2

Technical Datasheet No: 0029

WW1000 - NYLON TREAD

Part No: WW1000040

Short Part No: WW1000



APPLICATION

Manufactured in high grade nylon incorporating raised textured sections. Open tread design ensures water drains away.

COMPONENT SPECIFICATION

Material	High Grade Nylon
Finish	Natural
Weight	1,63 kg

Issue Date: 09/06/2017

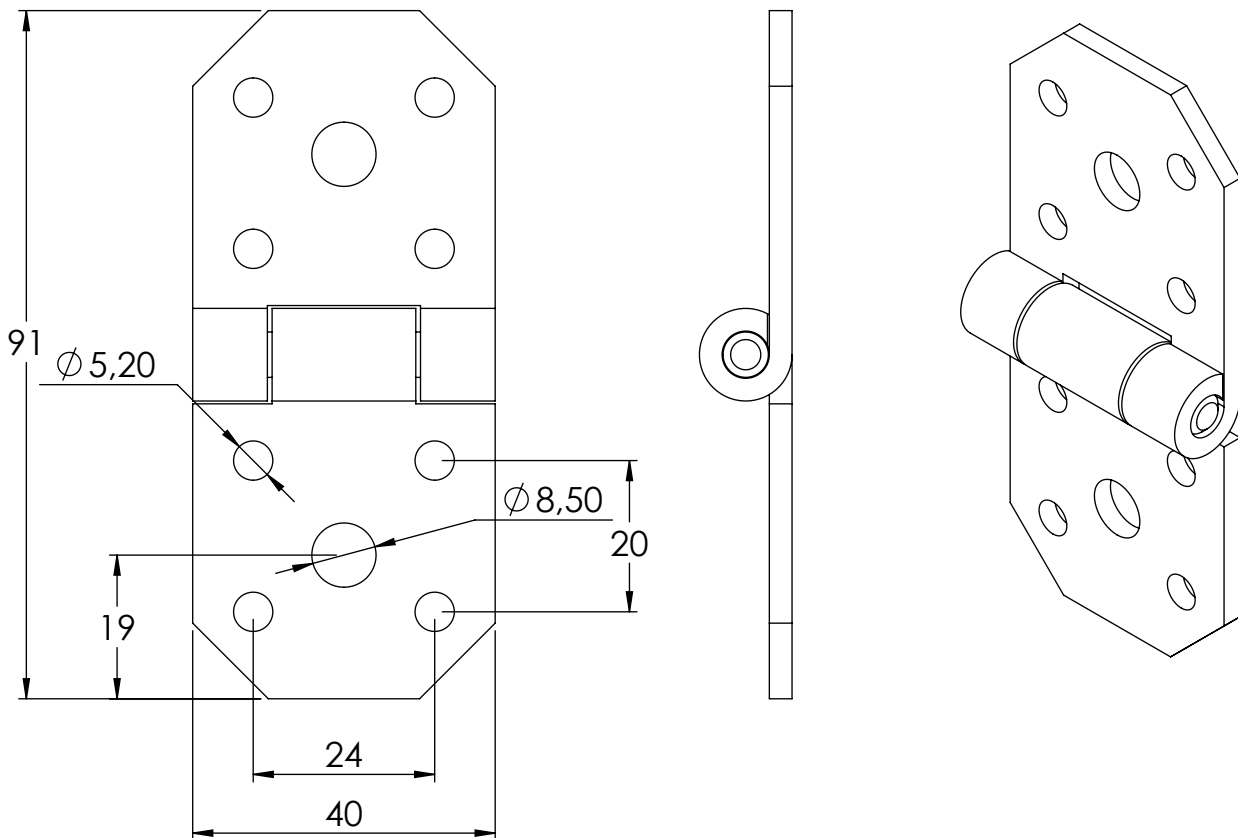
Issue No: 1

Technical Datasheet No: 0030

WW454ASSY - HINGE ASSEMBLY

Part No: WW454ASSY

Short Part No: WW454ASSY



APPLICATION

Allow section of the walkway to pivot.

COMPONENT SPECIFICATION

Material	Mild Steel Q235 / Stainless Steel S201
Finish	
Weight	0,2 kg

Issue Date: 09/06/2017

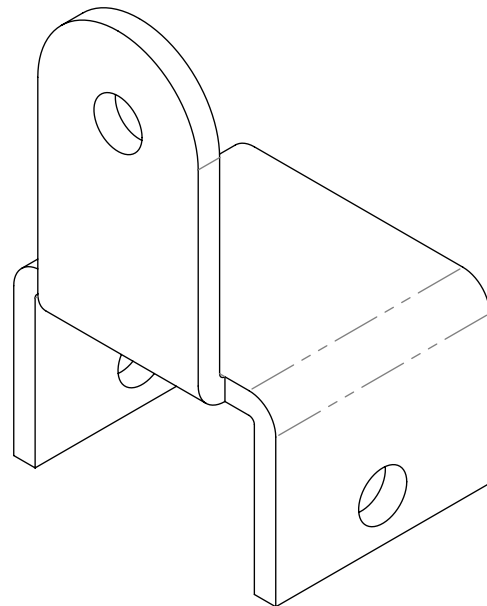
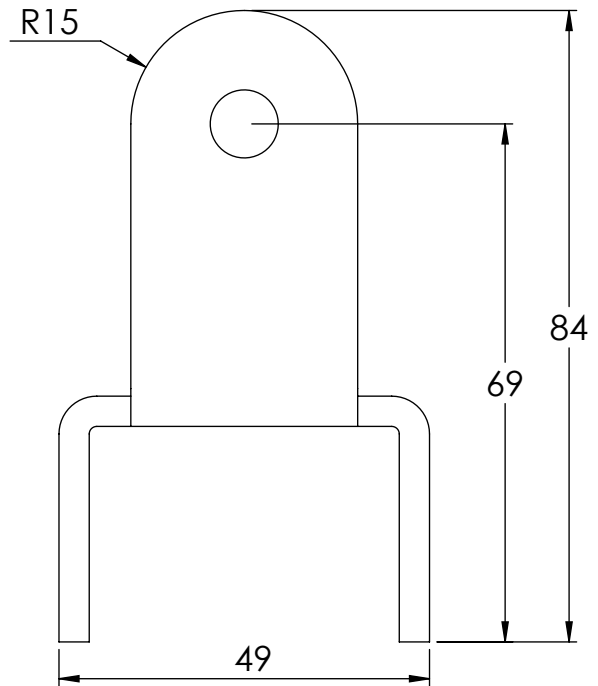
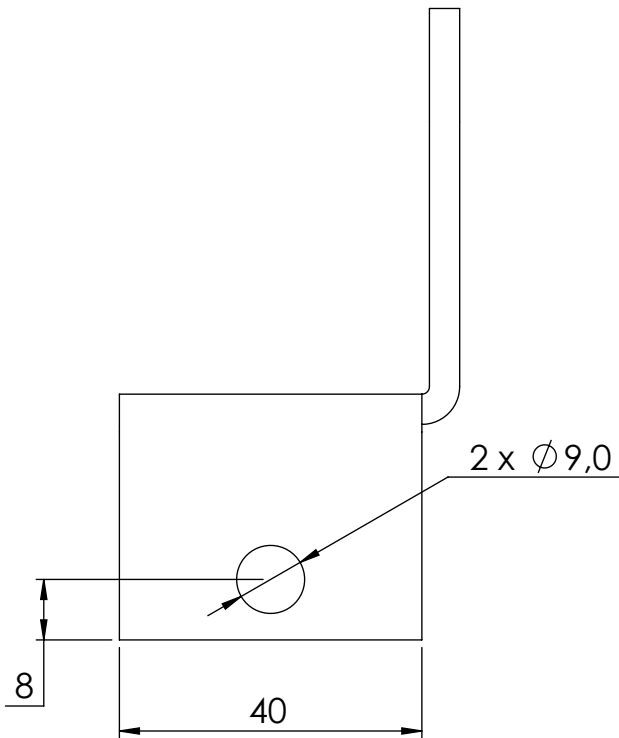
Issue No: 1

Technical Datasheet No: 0031

WW4694 - TRAVERSE SUPPORT PLATE

Part No: WW4694010

Short Part No: WW4694



APPLICATION

Allow section of the walkway to pivot.

COMPONENT SPECIFICATION

Material	Mild Steel Q235B
Finish	Galvanised to EN ISO 1461
Weight	0.18

Issue Date: 09/06/2017

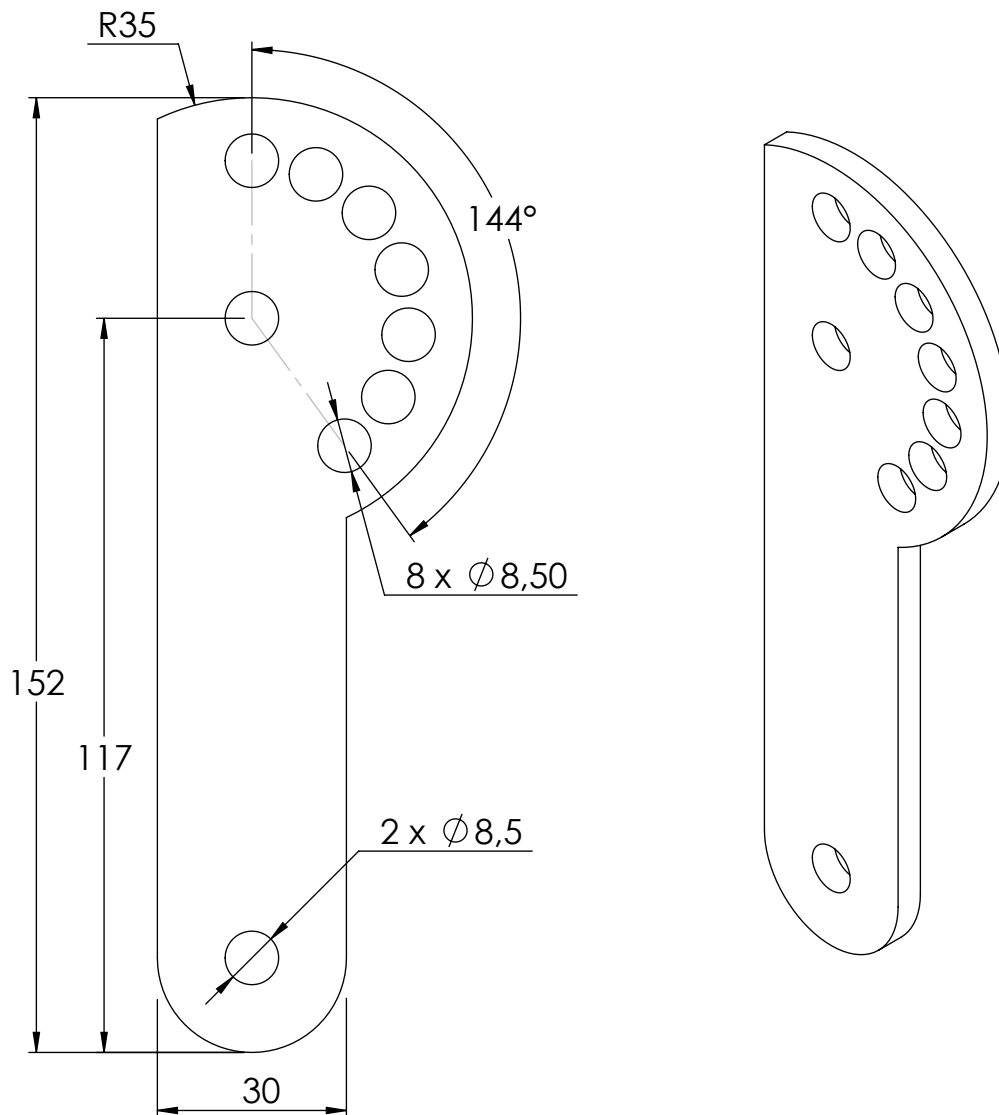
Issue No: 1

Technical Datasheet No: 0032

WW3011 - STEP SUPPORT LOCATING PLATE

Part No: WW3013110

Short Part No: WW3011



APPLICATION

Allow section of the walkway to pivot.

COMPONENT SPECIFICATION

Material	Mild Steel Q235B
Finish	Galvanised TO EN ISO 1461
Weight	0.16

Issue Date: 09/06/2017

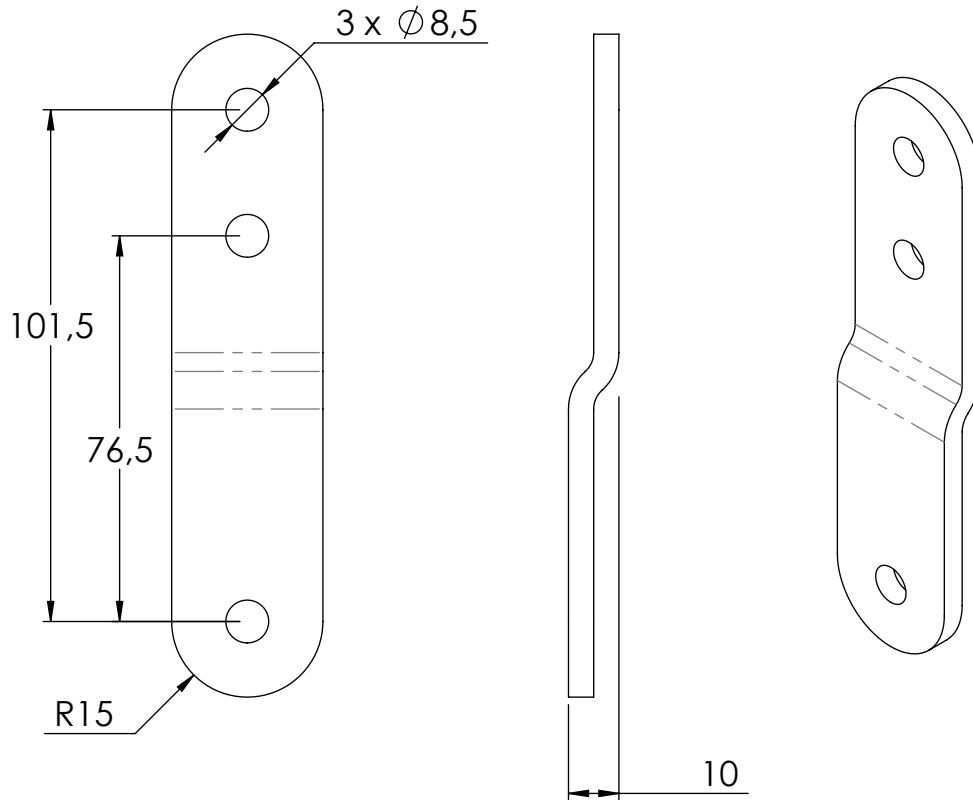
Issue No: 1

Technical Datasheet No: 0033

WW3010 - STEP SUPPORT SECONDARY PLATE

Part No: WW3013010

Short Part No: WW3010



APPLICATION

Allow section of the walkway to pivot.

COMPONENT SPECIFICATION

Material	Mild Steel Q235B FLAT 30mm x 5mm
Finish	Galvanised TO EN ISO 1461
Weight	0.12

Issue Date: 09/06/2017

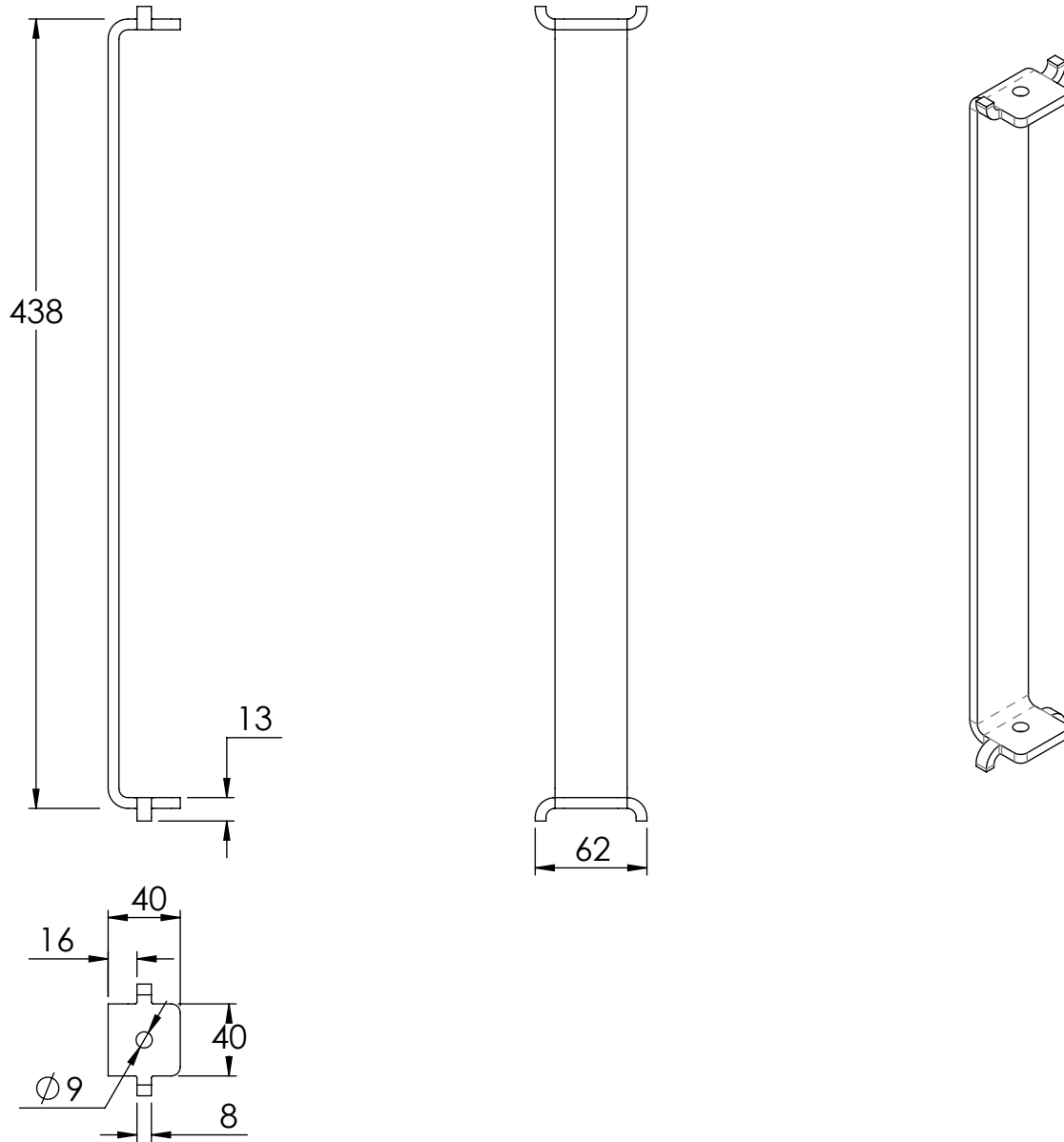
Issue No: 1

Technical Datasheet No: 0034

WW4006 - TREAD SUPPORT BRACKET

Part No: WW4006010

Short Part No: WW4006



APPLICATION

Support aluminium extrusions of the walkway.

COMPONENT SPECIFICATION

Material	Mild Steel Q235B
Finish	Galvanised
Weight	0.97

Issue Date: 09/06/2017

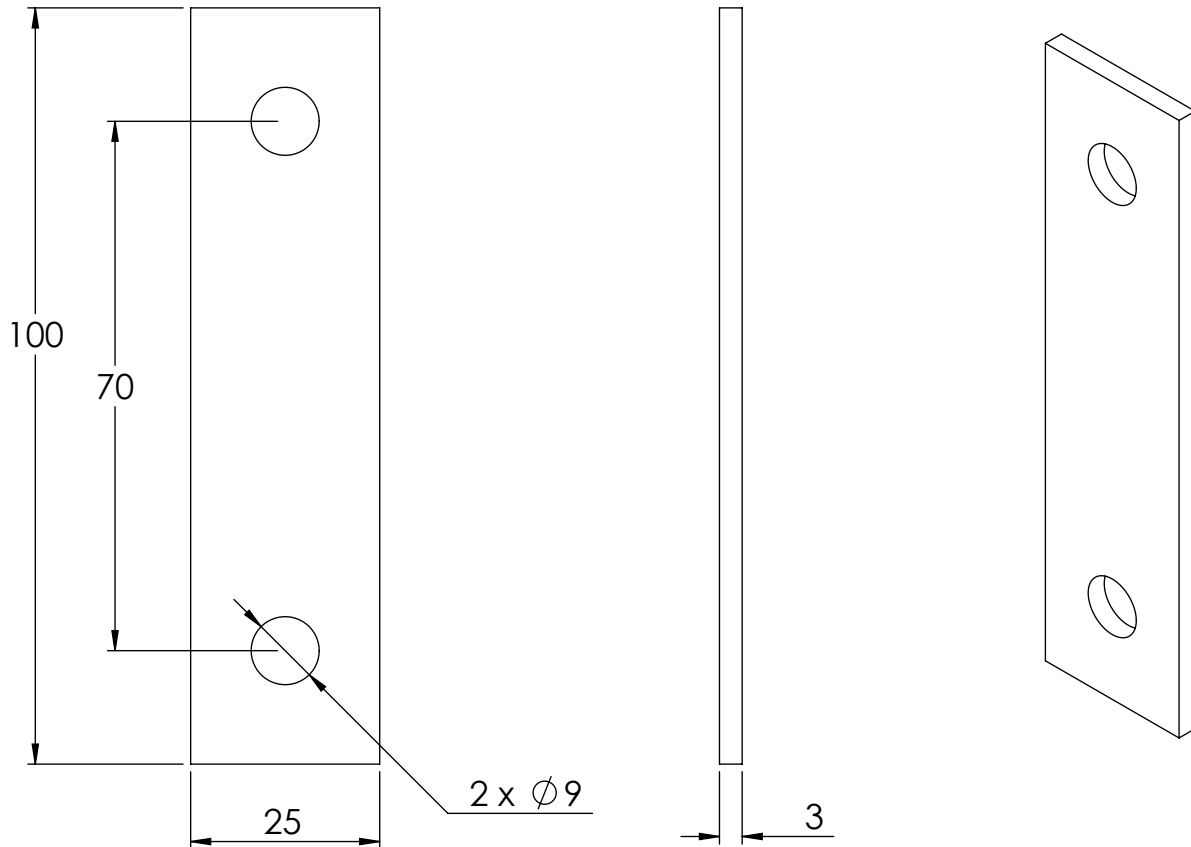
Issue No: 1

Technical Datasheet No: 0035

WW1003 - STRAIGHT CONNECTOR ALUMINIUM

Part No: WW1003030

Short Part No: WW1003



APPLICATION

Used to fix Kee Walk extrusions or modules together.

COMPONENT SPECIFICATION

Material	ALUMINIUM ALLOY 6082-T4
Finish	Natural
Weight	0.02

Issue Date: 19/11/2018

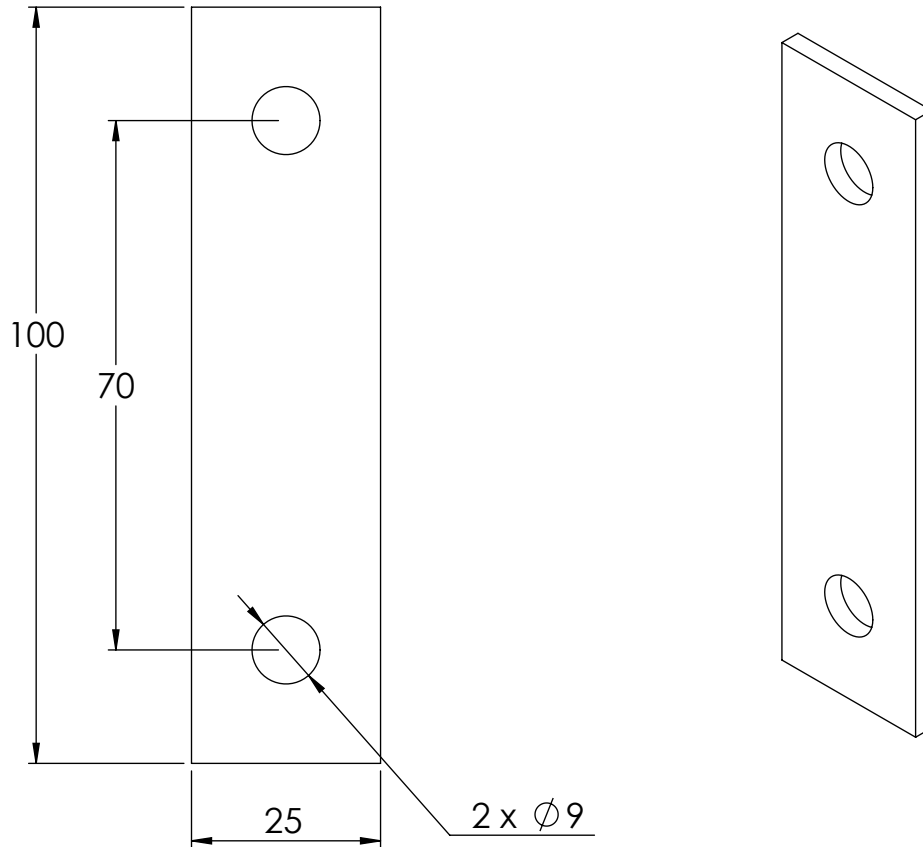
Issue No:2

Technical Datasheet No: 0035

WW1003 - STRAIGHT CONNECTOR ALUMINIUM

Part No: WW1003030

Short Part No: WW1003



APPLICATION

Used to fix Kee Walk extrusions or modules together.

COMPONENT SPECIFICATION

Material	ALUMINIUM ALLOY 6082-T4
Finish	Natural
Weight	0.02

Issue Date: 09/06/2017

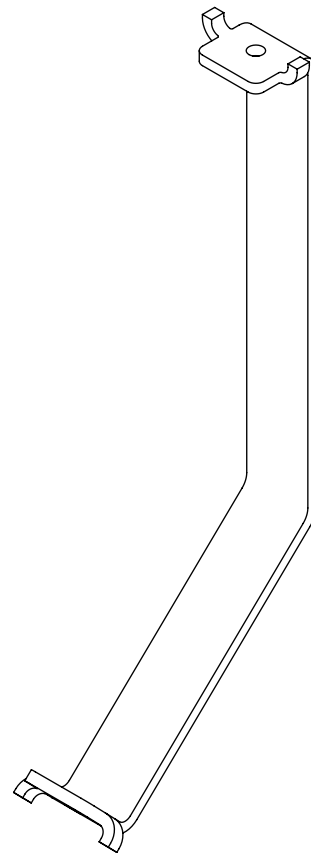
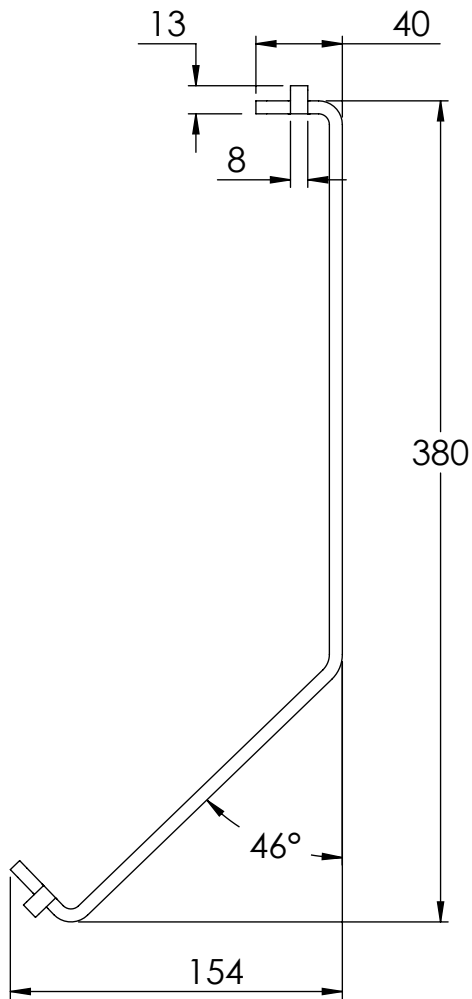
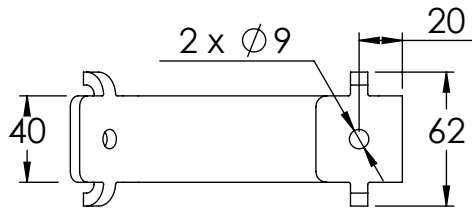
Issue No: 1

Technical Datasheet No: 0036

WW4006C - TREAD SUPPORT CRANKED BRACKET

Part No: WW4006010C

Short Part No: WW4006C



APPLICATION

Support aluminium extrusions of the walkway.

COMPONENT SPECIFICATION

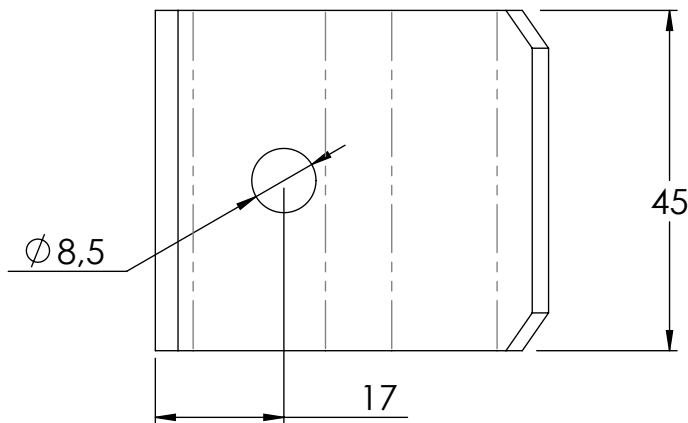
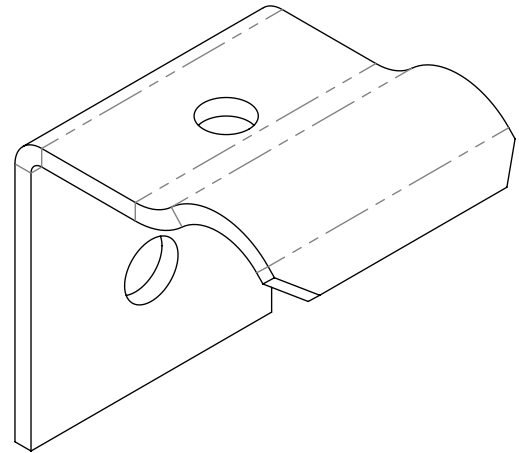
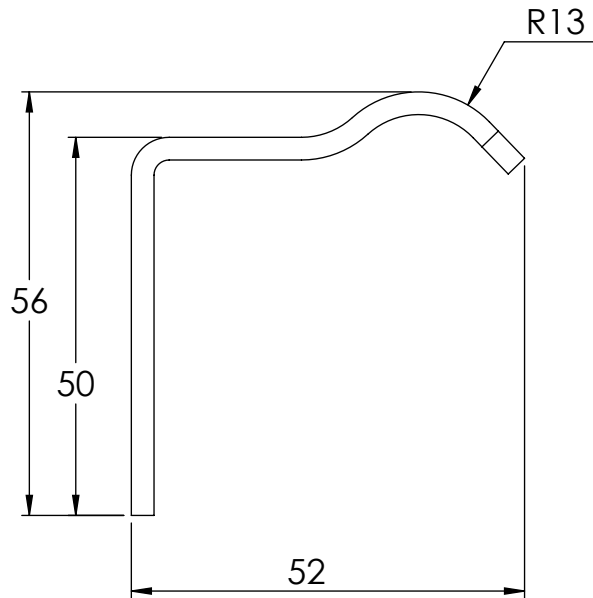
Material	Mild Steel Q235B
Finish	Galvanised to SIC 109
Weight	0.97

Technical Datasheet No: 0037

WW4510 - STANDING SEAM ROOFING CLIP ONE HALF

Part No: WW4510203

Short Part No: WW4510



APPLICATION

Used to fix Kee Walk module to Standing Seam Roof

COMPONENT SPECIFICATION

Material	Mild Steel Q235B
Finish	Galvanised to KKMS/0030
Weight	0.11

Issue Date: 09/06/2017

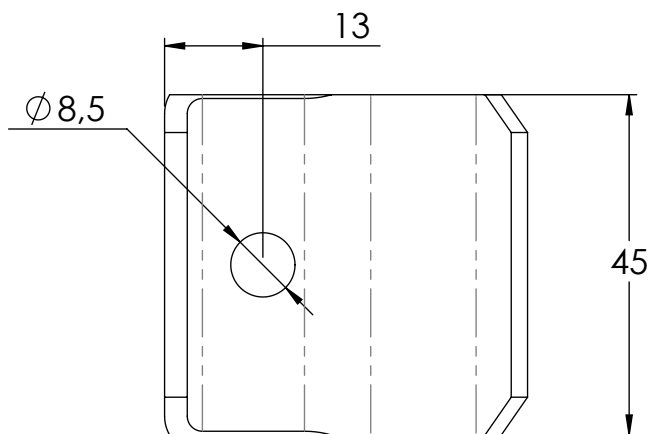
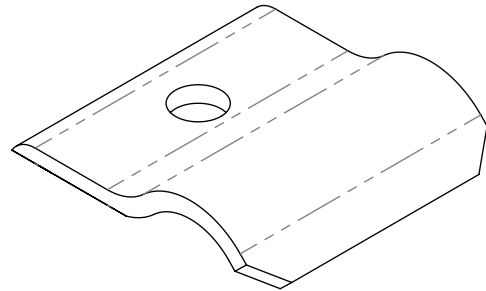
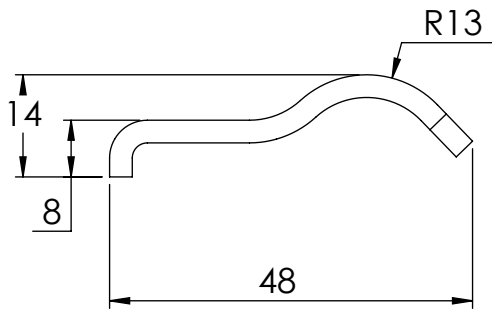
Issue No: 1

Technical Datasheet No: 0038

WW4505 - STANDING SEAM ROOFING CLIP 2ND HALF

Part No: WW4505503

Short Part No: WW4505



APPLICATION

Used to fix Kee Walk module to Standing Seam Roof.

COMPONENT SPECIFICATION

Material	Mild Steel Q235B FLAT 45,000 x 3,000
Finish	Galvanised to KKMS/0030
Weight	0.05

Issue Date: 09/06/2017

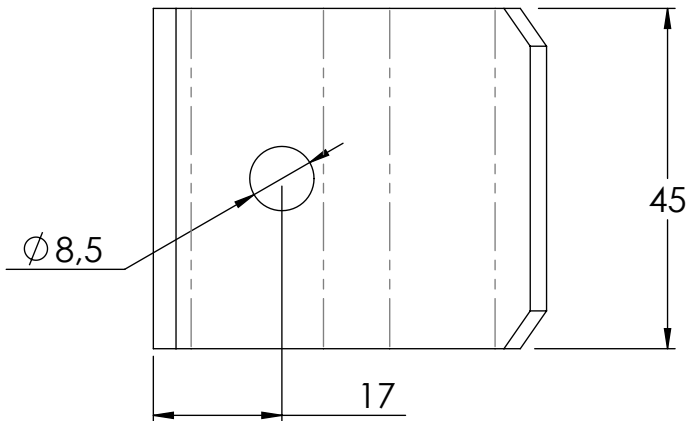
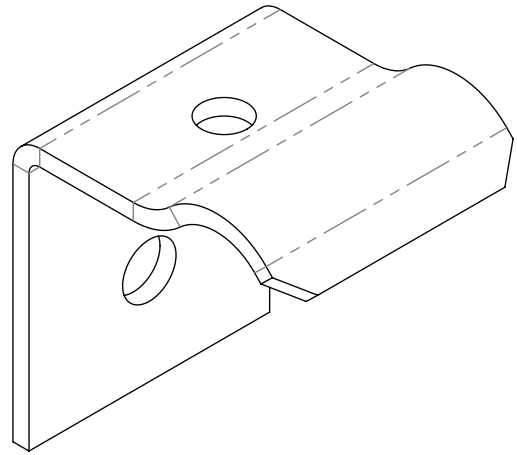
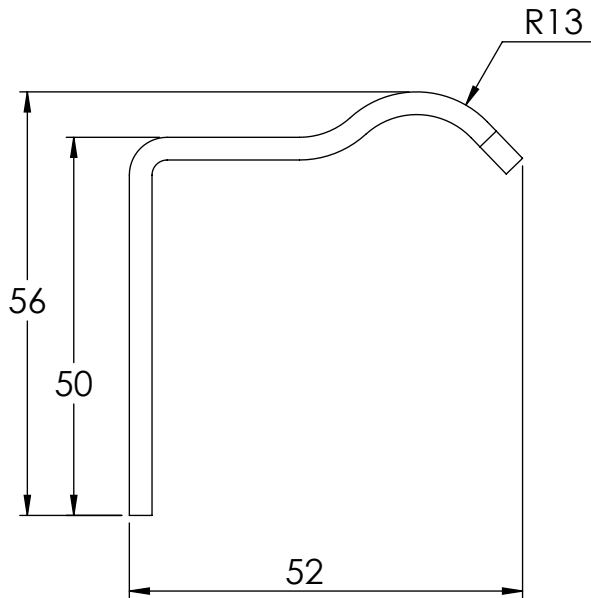
Issue No: 1

Technical Datasheet No: 0040

WW4510230 - ALUMINIUM STANDING SEAM ROOFING CLIP ONE HALF

Part No: WW4510230

Short Part No: WW4510230



APPLICATION

Used to fix Kee Walk module to Standing Seam Roof.

COMPONENT SPECIFICATION

Material	ALUMINIUM ALLOY 6082-T4
Finish	Natural
Weight	0.04

Issue Date: 09/06/2017

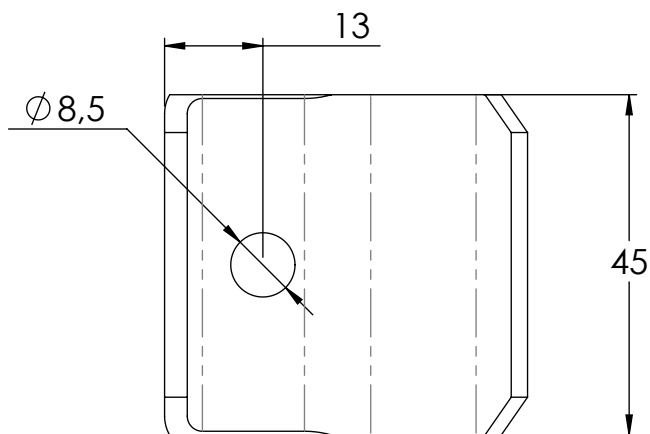
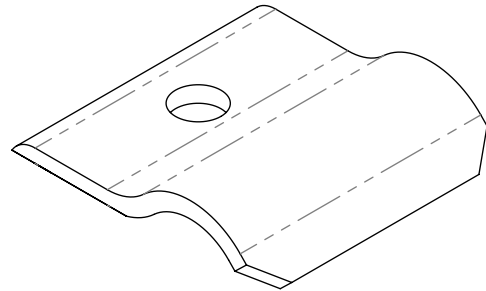
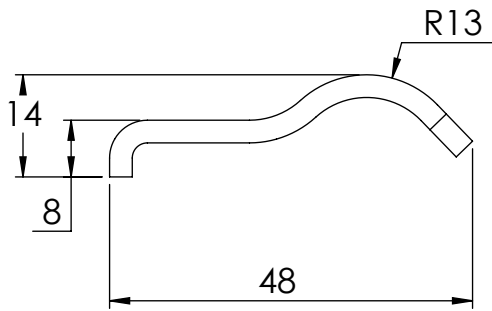
Issue No: 1

Technical Datasheet No: 0041

ALUMINIUM STANDING SEAM ROOFING CLIP 2ND HALF

Part No: WW4505530

Short Part No: WW4505530



APPLICATION

Used to fix Kee Walk module to Standing Seam Roof

COMPONENT SPECIFICATION

Material	ALUMINIUM ALLOY 6082-T4
Finish	Natural
Weight	0.02

Issue Date: 09/06/2017

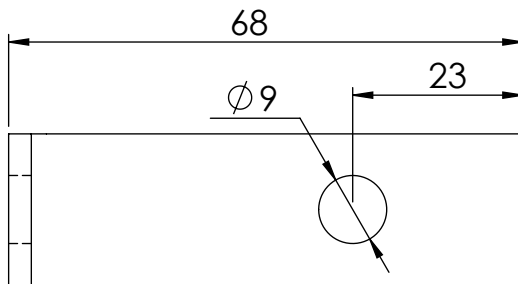
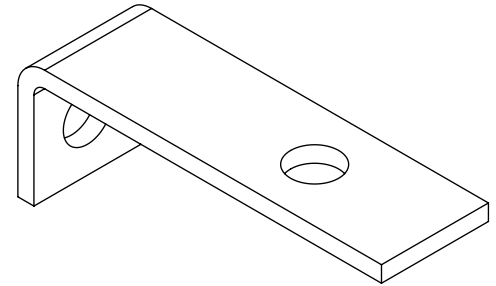
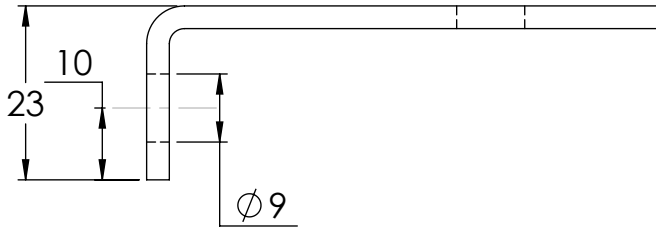
Issue No: 1

Technical Datasheet No: 0042

WW6823 - ALUMINIUM STANDING SEAM BRACKET

Part No: WW6823030

Short Part No: WW6823



APPLICATION

Used to fix Kee Walk module to Standing Seam Roof.

COMPONENT SPECIFICATION

Material	ALUMINIUM ALLOY 6082-T4
Finish	Natural
Weight	0.01

Issue Date: 09/06/2017

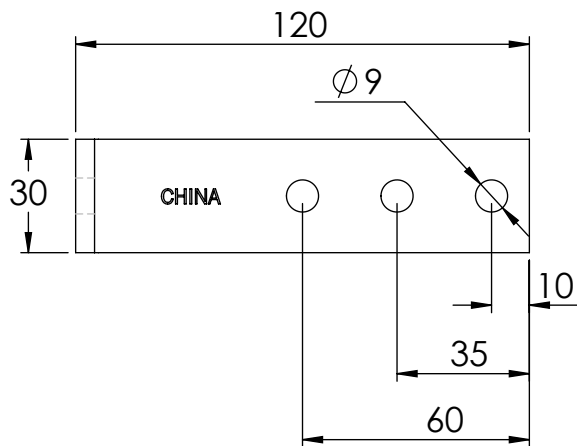
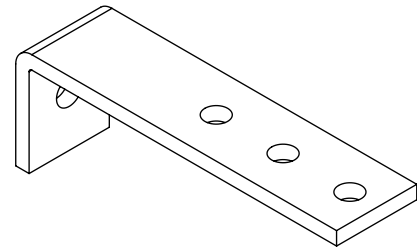
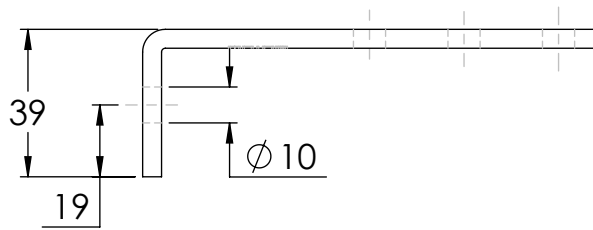
Issue No: 1

Technical Datasheet No: 0064

WW3096 - EXTENDED FIXING BRACKET GALV

Part No: WW3096510

Short Part No: WW3096



APPLICATION

Used to fix Kee Walk extrusions or module to the roof.

COMPONENT SPECIFICATION

Material	Mild Steel S235
Finish	Galvanised to KKMS/0030
Weight	0.17

Issue Date: 24/10/2018

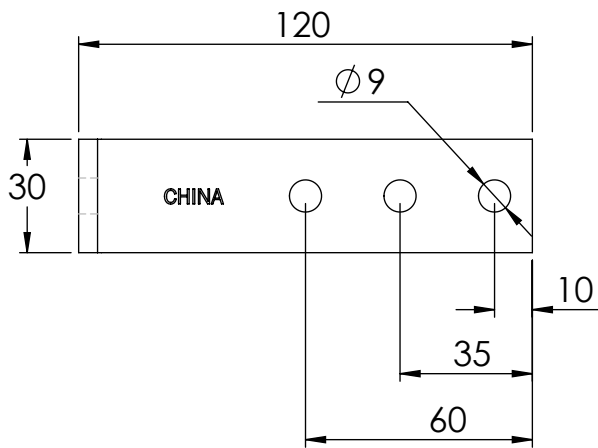
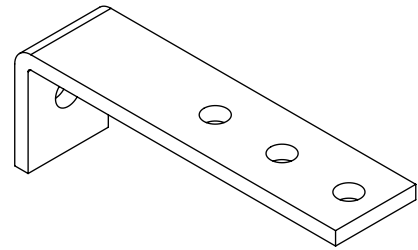
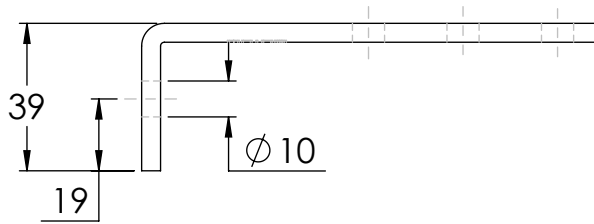
Issue No: 1

Technical Datasheet No: 0065

WW3096 - EXTENDED FIXING BRACKET ALUMINIUM

Part No: WW3096530

Short Part No: WW3096



APPLICATION

Used to fix Kee Walk extrusions or module to the roof.

COMPONENT SPECIFICATION

Material	ALUMINIUM ALLOY 6082-T4
Finish	Natural
Weight	0.06

Issue Date: 24/10/2018

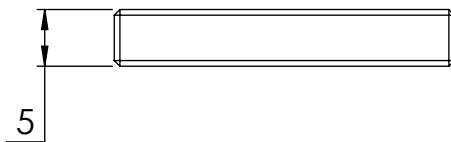
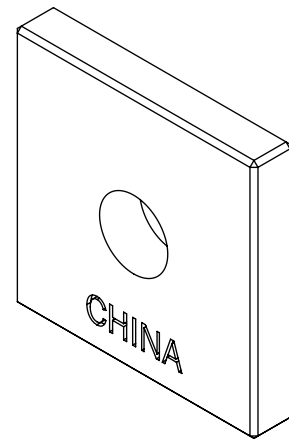
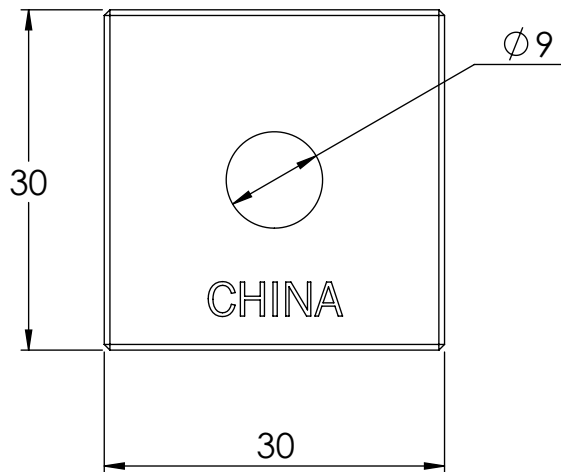
Issue No: 1

Technical Datasheet No: 0066

KEE WALK SPACER

Part No: WW40906510

Short Part No: WW4090



APPLICATION

Spacer used with standing seam roof clip assembly to fix KeeWalk modules to standing seam roof.

COMPONENT SPECIFICATION

Material	Mild Steel Q235B
Finish	Galvanised to KKMS/0030
Weight	0.03

Issue Date: 18/10/2017

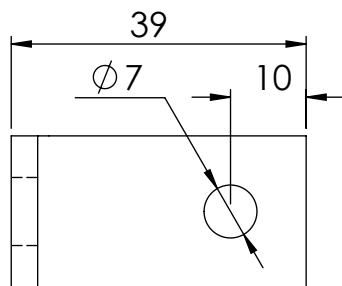
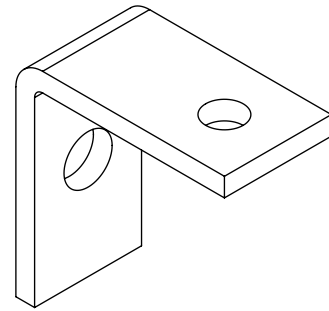
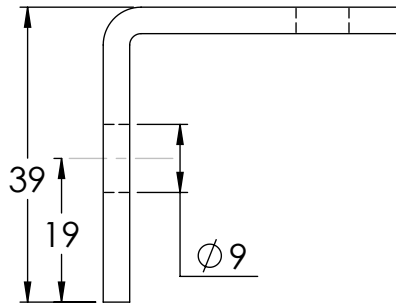
Issue No: 1

Technical Datasheet No: 0044

WW3939 - ALUMINIUM RETAINING BRACKET

Part No: WW3939030

Short Part No: WW3939



APPLICATION

Used to fix Kee Walk extrusions or module to the roof.

COMPONENT SPECIFICATION

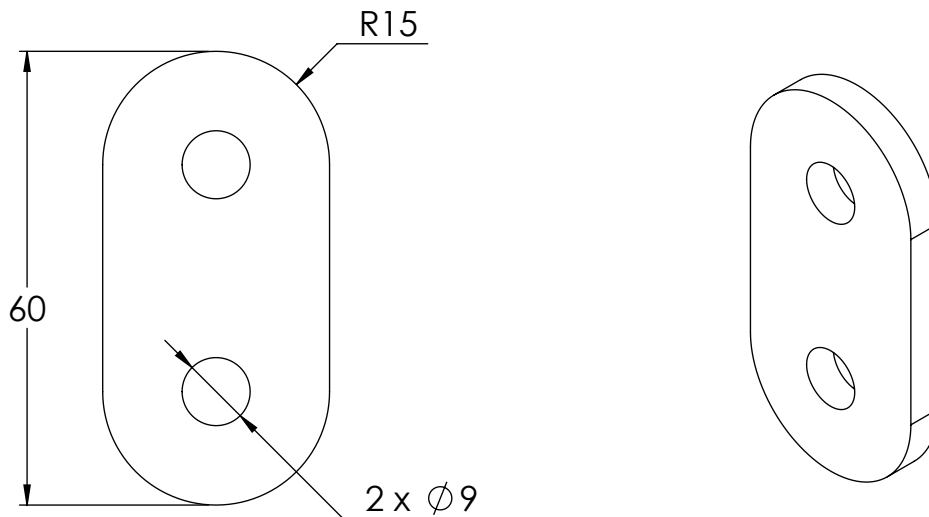
Material	ALUMINIUM ALLOY 6082-T4
Finish	Natural
Weight	0.01

Technical Datasheet No: 0045

WW3060 - TRAVERSE EXTENSION PLATE FOR 10°-15°

Part No: WW3060050

Short Part No: WW3060



APPLICATION

Allow section of the walkway to pivot.

COMPONENT SPECIFICATION

Material	Mild Steel Q235B FLAT 30mm x 5mm
Finish	Galvanised to KKMS/0030
Weight	0.05

Issue Date: 09/06/2017

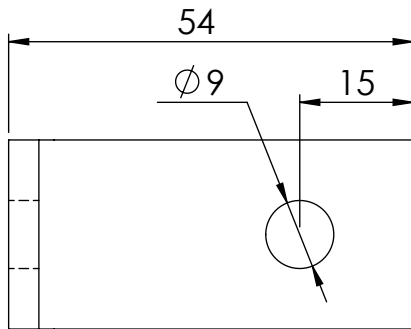
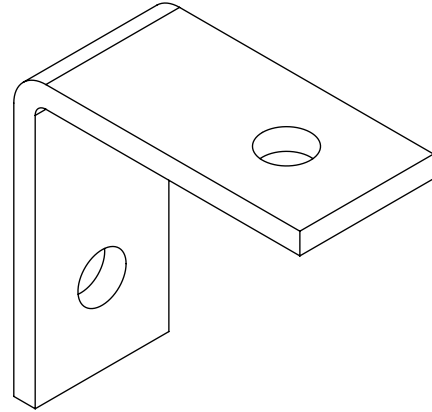
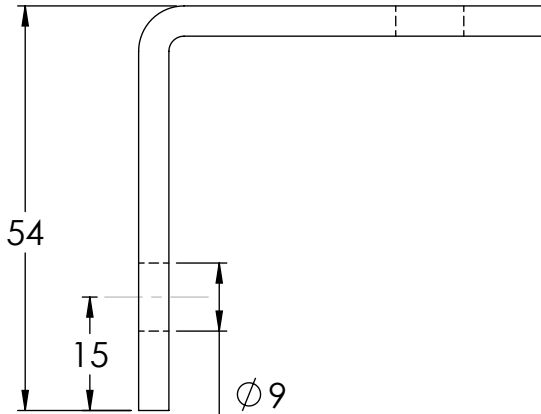
Issue No: 1

Technical Datasheet No: 0046

WW5353 - ALUMINIUM 90° CONNECTOR

Part No: WW5353030

Short Part No: WW5353



APPLICATION

Used to fix Kee Walk extrusions or module to the roof.

COMPONENT SPECIFICATION

Material	ALUMINIUM ALLOY 6082-T4
Finish	Natural
Weight	0.03

Issue Date: 09/06/2017

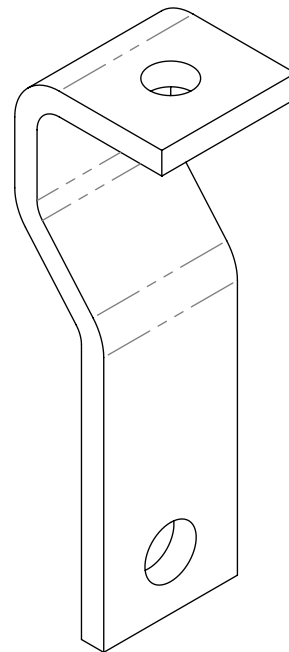
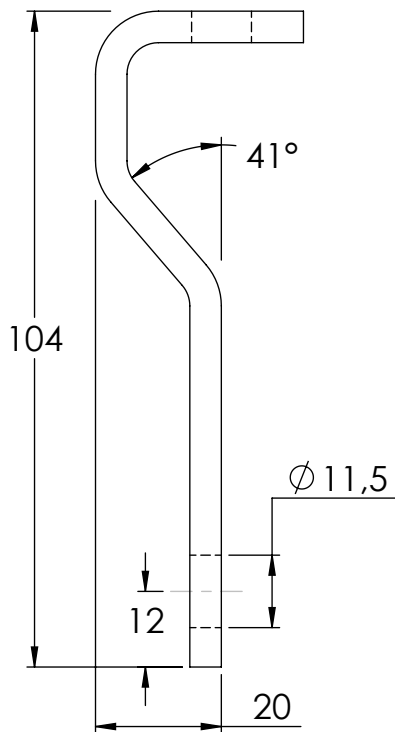
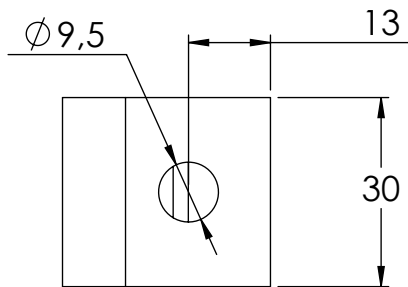
Issue No: 1

Technical Datasheet No: 0047

S5 CLAMP FIXING BRACKET - TYPE 1

Part No: WW3005010

Short Part No: WW3005010



APPLICATION

Used to fix Kee Walk module to Standing Seam Roof

COMPONENT SPECIFICATION

Material	Mild Steel Q235B
Finish	Galvanised to KKMS/0030
Weight	0.13

Issue Date: 09/06/2017

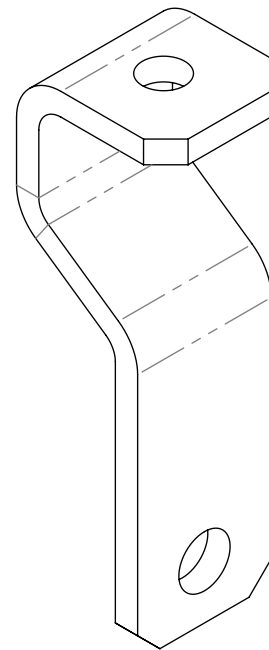
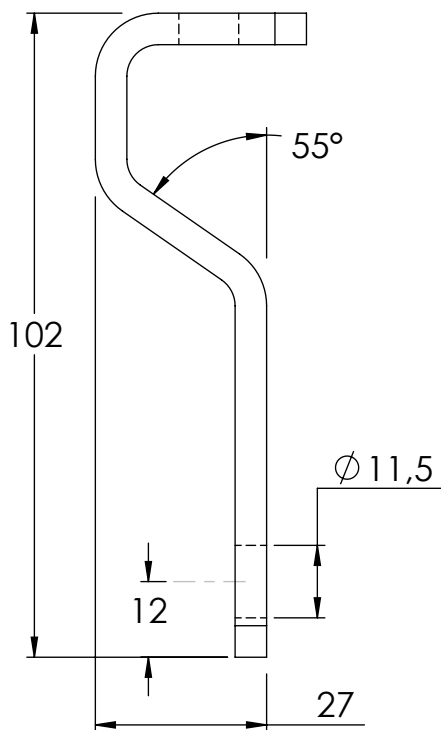
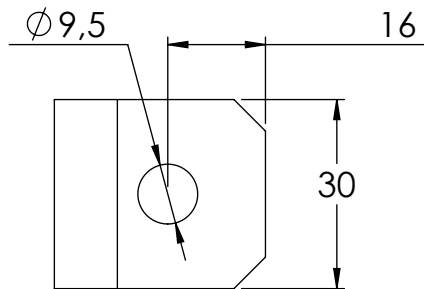
Issue No: 1

Technical Datasheet No: 0048

KWSF50SS - EUROCLAD EC SF50 FIXING BRACKET - SS

Part No: WW3006150

Short Part No: KWSF50SS



APPLICATION

Used to fix Kee Walk module to the Euroclad ED FC type of roof.

COMPONENT SPECIFICATION

Material	Stainless Steel AISI 316L
Finish	Natural
Weight	0.16

Issue Date: 09/06/2017

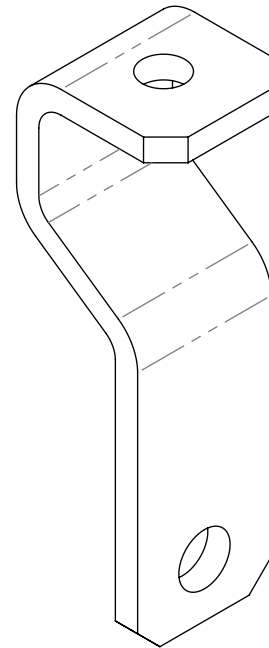
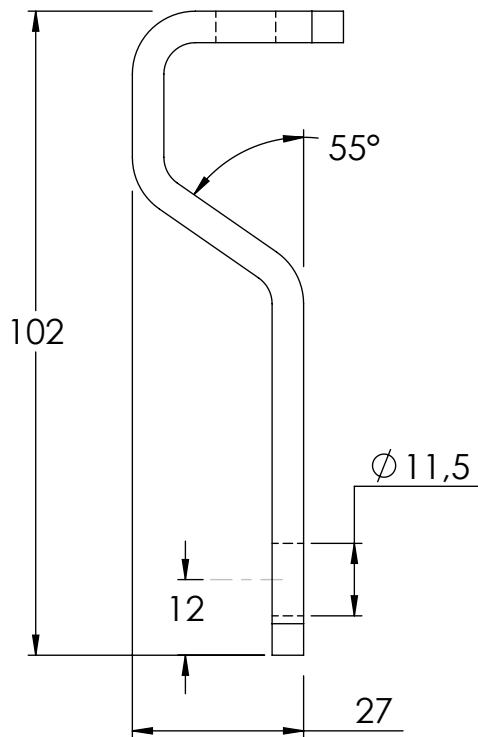
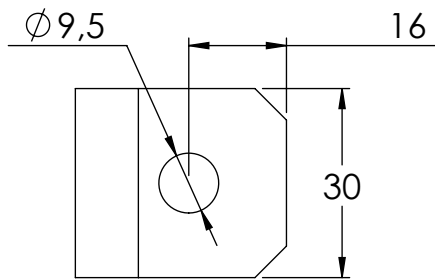
Issue No: 1

Technical Datasheet No: 0049

WW3006010 - EUROCLAD EC SF 50 FIXING BRACKET

Part No: WW3006010

Short Part No: WW3006010



APPLICATION

Used to fix Kee Walk module to the Euroclad ED FC type of roof.

COMPONENT SPECIFICATION

Material	Mild Steel Q235B
Finish	Galvanised to KKMS/0030
Weight	0.13

Issue Date: 09/06/2017

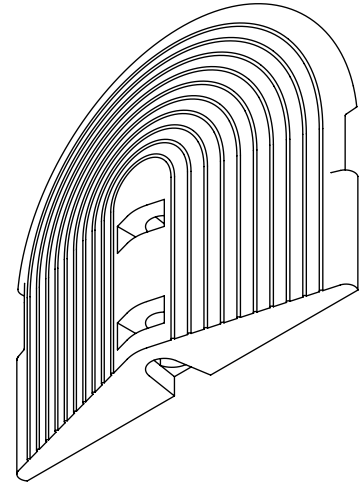
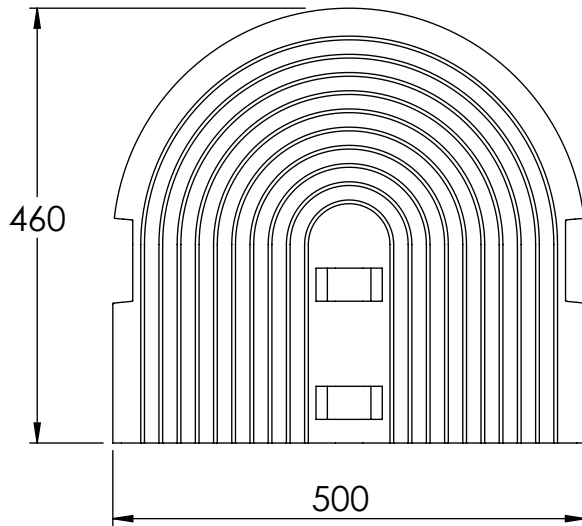
Issue No: 1

Technical Datasheet No: 0050

440-7 KG-UPVC WEIGHT

Part No: 044070180

Short Part No: 440-7



APPLICATION

This component provides stability to the free standing modules.

COMPONENT SPECIFICATION

Material	Recycled PVC Rigid
Finish	Natural
Weight	13,5 kg

Issue Date: 09/06/2017

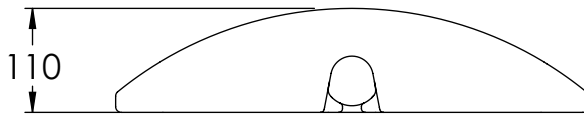
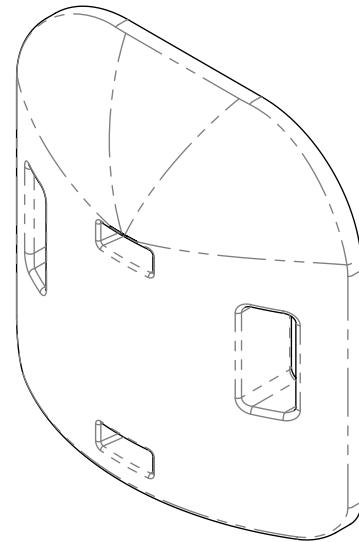
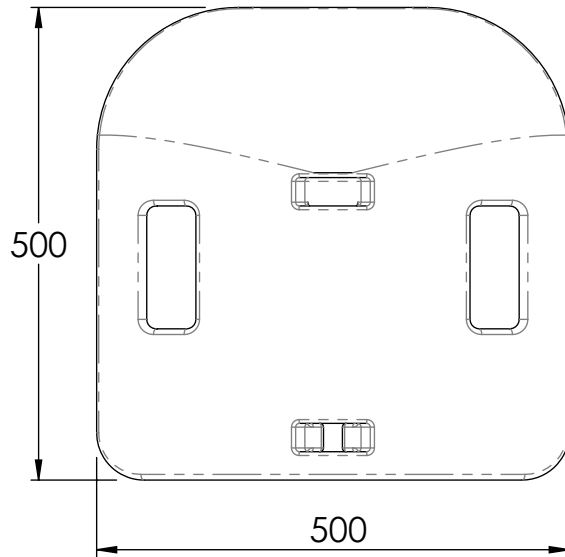
Issue No: 1

Technical Datasheet No: 0051

DEFENDER ROOF EDGE COUNTERWEIGHT

Part No: RE11P40

Short Part No: RE11P40



APPLICATION

This component provides stability to the free standing modules.

COMPONENT SPECIFICATION

Material	PVC Rigid
Finish	Natural
Weight	31.00

Issue Date: 09/06/2017

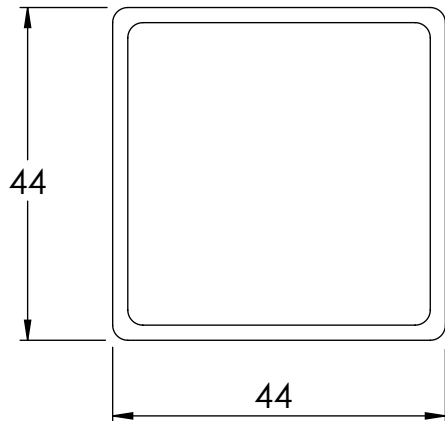
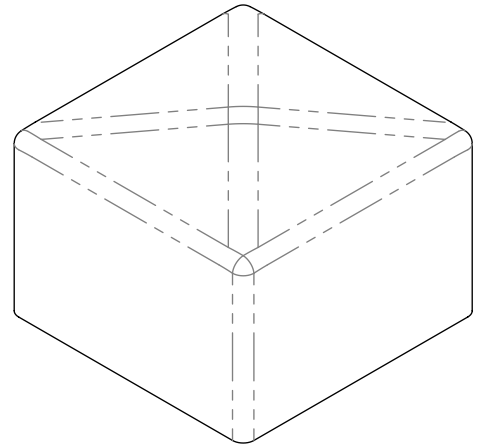
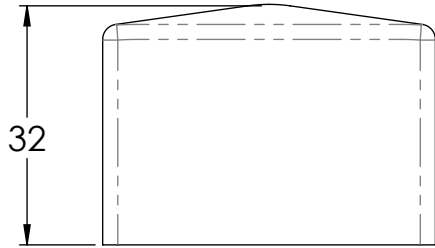
Issue No: 1

Technical Datasheet No: 0052

WW16258CP - BLACK VINYL PLASTIC CAP

Part No: WW16258CP

Short Part No: WW16258CP



APPLICATION

Used to cover end of aluminium extrusion

COMPONENT SPECIFICATION

Material	Nylon 101
Finish	Natural
Weight	0.01

Issue Date: 09/06/2017

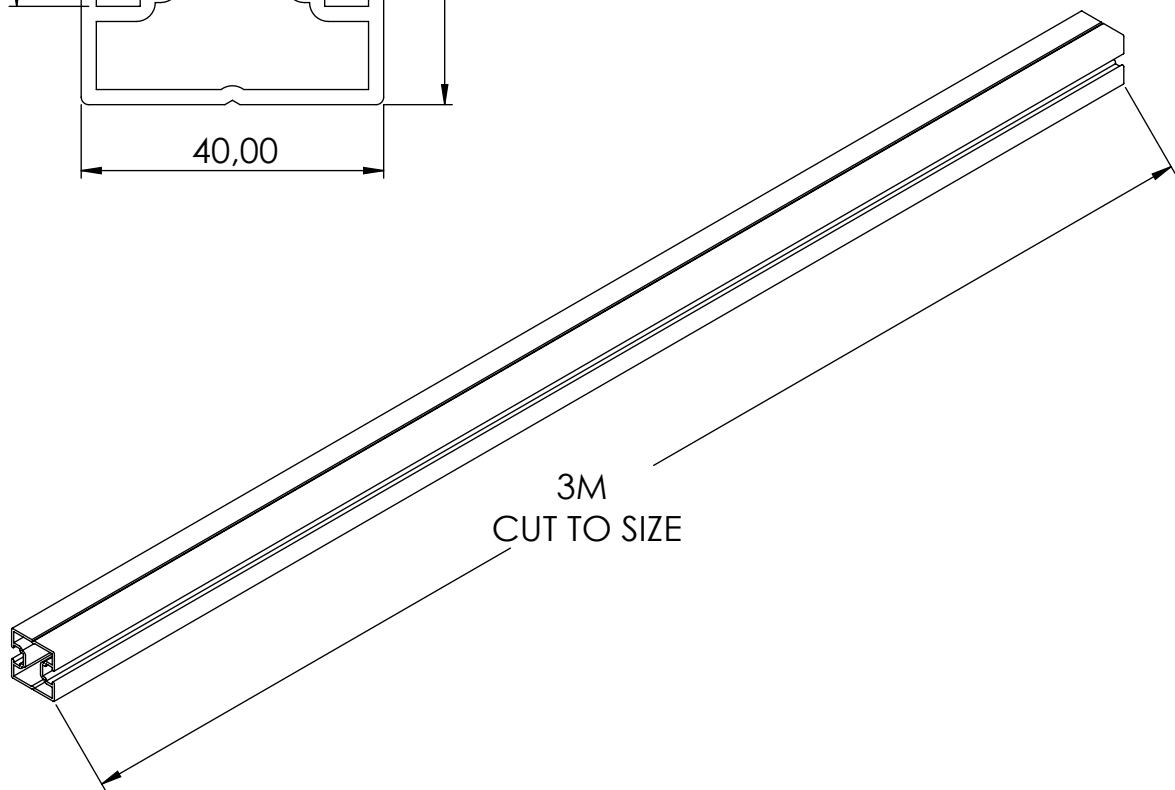
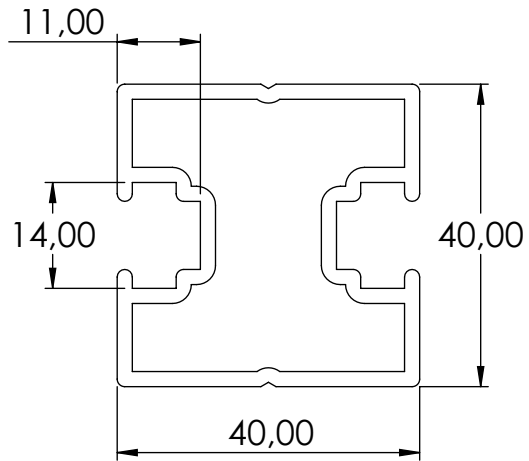
Issue No: 1

Technical Datasheet No: 0053

WW4040 - EXTRUDED ALUMINIUM BEAM.

Part No: WW4040030

Short Part No: WW4040



APPLICATION

Main aluminium extrusion in Kee Walk system. Used to create Kee Walk modules. Cut to required length.

COMPONENT SPECIFICATION

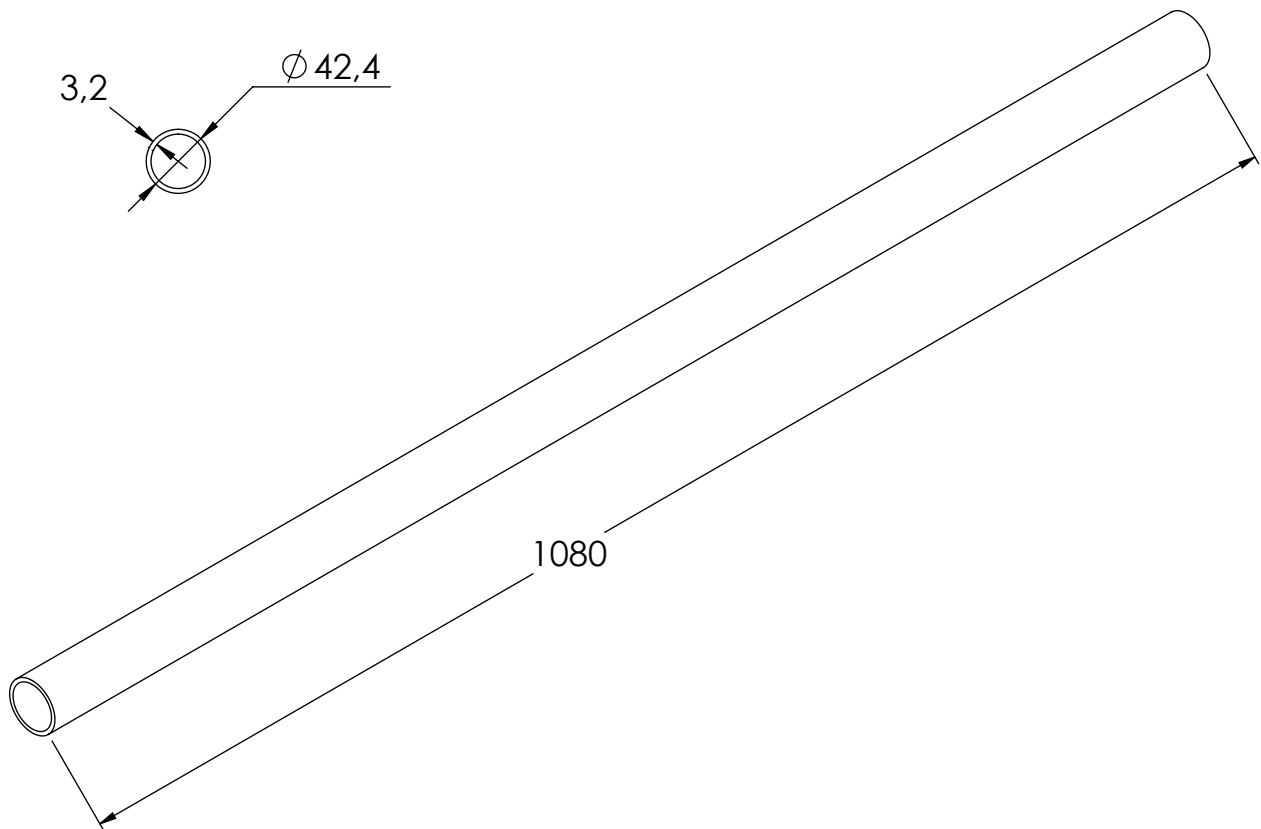
Material	ALUMINIUM ALLOY 6063-T6
Finish	Natural
Weight	1.1 kg/m

Technical Datasheet No: 0054

440-7 WEIGHT - CROSS TUBE - 75 MPH VERSION

Part No: TUBE SIZE 7 - CUT TO SIZE

Short Part No: TUBE SIZE 7 - CUT TO SIZE



APPLICATION

Used with 440-7 weights to support free standing modules.

COMPONENT SPECIFICATION

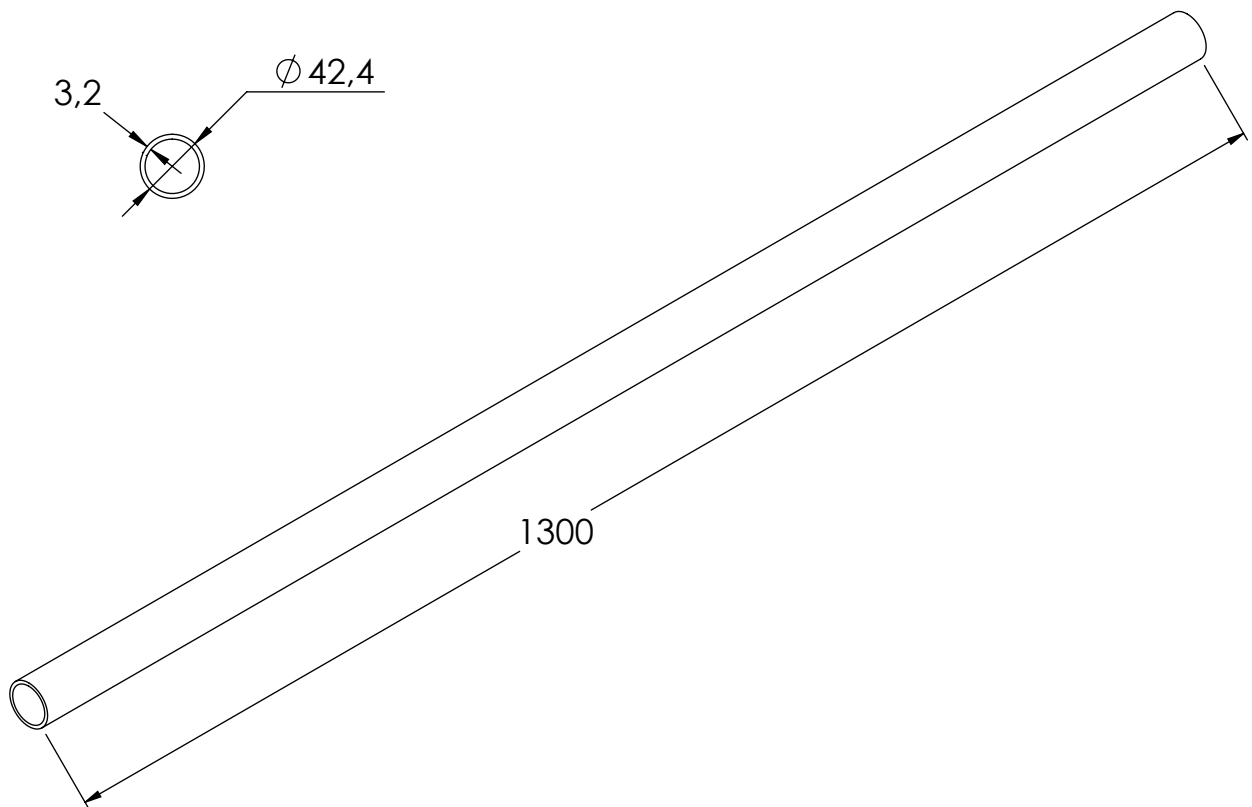
Material	Steel Tubing to BS EN 10255 3,2mm
Finish	Galvanised to BS EN ISO 1461
Weight	3.8 kg

Technical Datasheet No: 0055

DEFENDER WEIGHT - CROSS TUBE - 95 MPH VERSION

Part No: TUBE SIZE 7 - CUT TO SIZE

Short Part No: TUBE SIZE 7 - CUT TO SIZE



APPLICATION

Used with Defender weights to support free standing modules.

COMPONENT SPECIFICATION

Material	Steel Tubing to BS EN 10255 3,2mm
Finish	Galvanised to BS EN ISO 1461
Weight	4.7 kg

Issue Date: 09/06/2017

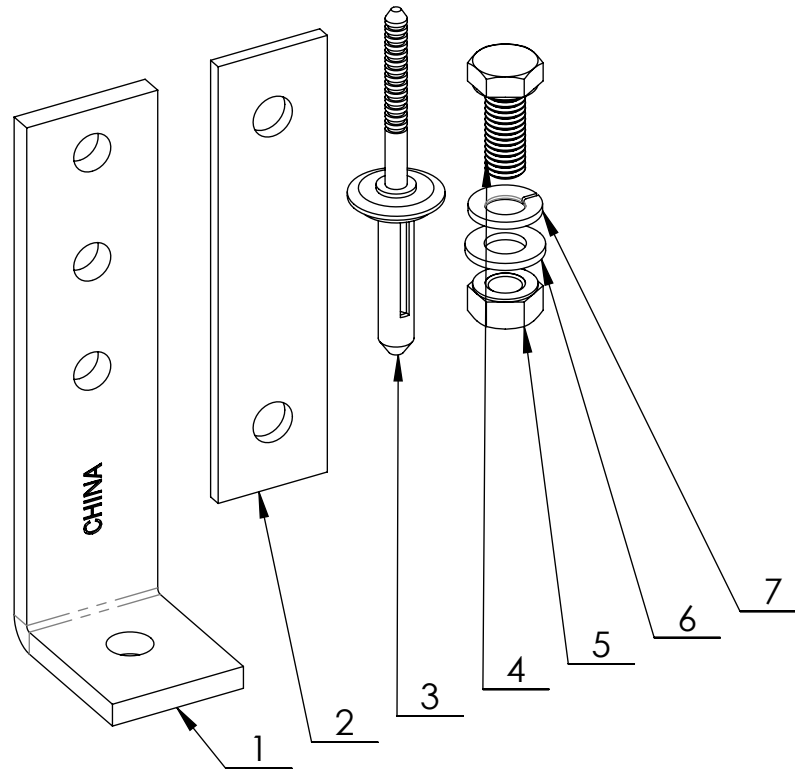
Issue No: 1

Technical Datasheet No: 0056

FIXING PACKS GALV. - PROFILE ROOF

Part No: WW750FP10, WW751FP10, WW752FP10, WW753FP10

Short Part No: WFP1, WFP2, WFP3, WFP4



WW750FP10 - WFP1 - 3M STEPS/TRVERSE FIXING PACK - PROFILE ROOF

WW751FP10 - WFP2 - 1.5M STEPS/TRVERSE FIXING PACK - PROFILE ROOFS

WW752FP10 - WFP3 - 3M STEPS/LONGITUDINAL FIXING PACK - PROFILE ROOFS

WW753FP10 - WFP4 - 1.5M STEPS/LONGITUDINAL FIXING PACK - PROFILE ROOFS

ITEM NO.	PART NO.	DESCRIPTION	WFP1 QTY.	WFP2 QTY.	WFP3 QTY.	WFP4 QTY.
1	WW3096510	WW3096 - EXTENDED FIXING BRACKET GALV	6	4	9	6
2	WW1003030	WW1003 - STRAIGHT CONNECTOR ALUMINIUM	2	2	2	2
3	LAOKL2RVT	7.7 BULB-TITE RIVIT EPDM	12	8	18	12
4	WW1120110	WW1120 - M8 x 20 HEX HD GR 8,8 SET SCREW	4	4	4	4
5	WW2180110	WW2180 - M8 HEX HD FULL NUT GR 8,8	4	4	4	4
6	WW3180110	WW3180 - M8 PLAIN WASHER FORM A GALV	4	4	4	4
7	WW3280110	WW3280 - M8 SPRING WASHER TYPE A GALV	4	4	4	4

APPLICATION

Fixing pack used to fix KeeWalk traverse and longitudinal modules to the profile roof.

COMPONENT SPECIFICATION

Material	Mild Steel / Aluminium
Finish	Galvanised to BS EN ISO 1461 / Natural
Weight	0.3kg, 0.25kg, 0.36kg, 0.3kg

Issue Date: 25/10/2018

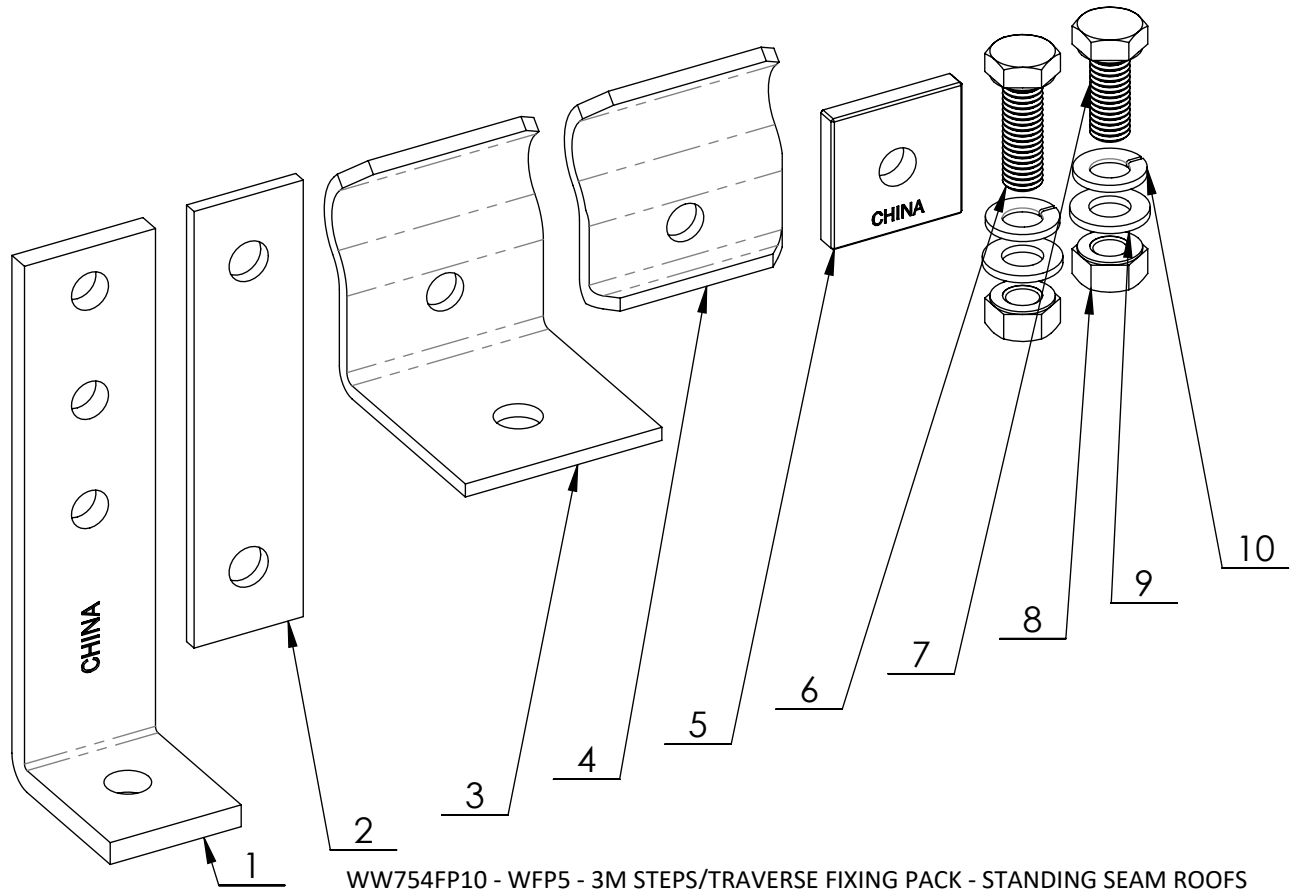
Issue No: 2

Technical Datasheet No: 0057

FIXING PACKS GALV. - STANDING SEAM ROOF

Part No: WW754FP10, WW755FP10, WW756FP10, WW757FP10

Short Part No: WFP5, WFP6, WFP7, WFP8



WW754FP10 - WFP5 - 3M STEPS/TRAVERSE FIXING PACK - STANDING SEAM ROOFS

WW755FP10 - WFP6 - 1.5M STEPS/TRAVERSE FIXING PACK - STANDING SEAM ROOFS

WW756FP10 - WFP7 - 3M STEPS/LONGITUDINAL FIXING PACK - STANDING SEAM ROOFS

WW757FP10 - WFP8 - 1.5M STEPS/LONGITUDINAL FIXING PACK - STANDING SEAM ROOFS

ITEM NO.	PART NO.	DESCRIPTION	WFP5 QTY.	WFP6 QTY.	WFP7 QTY.	WFP8 QTY.
1	WW3096510	WW3096 - EXTENDED FIXING BRACKET GALV	6	4	8	6
2	WW1003030	WW1003 - STRAIGHT CONNECTOR ALUMINIUM	2	2	2	2
3	WW4510203	WW4510 - STANDING SEAM ROOFING CLIP ONE HALF	6	4	8	6
4	WW4505503	WW4505 - STANDING SEAM ROOFING CLIP 2ND HALF	6	4	8	6
5	WW40906510	KEE WALK SPACER	6	4	8	6
6	WW1125110	WW1125 - M8 x 25 HEX HD GR 8,8 SET SCREW	6	4	8	6
7	WW1120110	WW1120 - M8 x 20 HEX HD GR 8,8 SET SCREW	10	8	12	10
8	WW2180110	WW2180 - M8 HEX HD FULL NUT GR 8,8	16	12	20	16
9	WW3180110	WW3180 - M8 PLAIN WASHER FORM A GALV	22	20	28	22
10	WW3280110	WW3280 - M8 SPRING WASHER TYPE A GALV	16	12	20	16

APPLICATION

Fixing pack used to fix KeeWalk traverse and longitudinal modules to the profile roof.

COMPONENT SPECIFICATION

Material	Mild Steel / Aluminium
Finish	Galvanised to BS EN ISO 1461 / Natural
Weight	1.44kg, 1.02kg, 2.07kg, 1.44kg

Issue Date: 25/10/2018

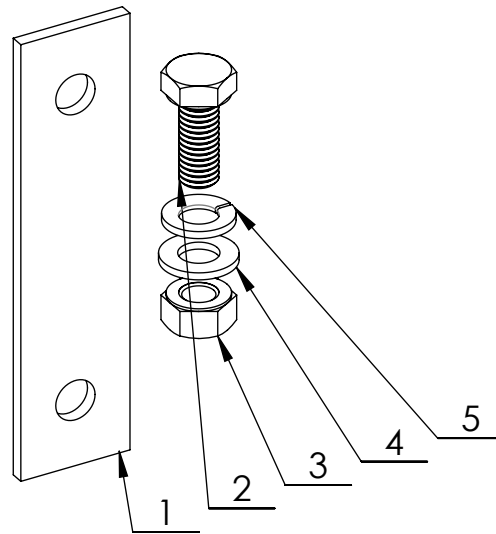
Issue No: 2

Technical Datasheet No: 0058

WFP9 - JOINER FOR FREE STANDING MODULES

Part No: WW758FP10

Short Part No: WFD9



ITEM NO.	PART NO.	DESCRIPTION	QTY.
1	WW1003030	WW1003 - STRAIGHT CONNECTOR ALUMINIUM	2
2	WW1120110	WW1120 - M8 x 20 HEX HD GR 8,8 SET SCREW	4
3	WW2180110	WW2180 - M8 HEX HD FULL NUT GR 8,8	4
4	WW3180110	WW3180 - M8 PLAIN WASHER FORM A GALV	4
5	WW3280110	WW3280 - M8 SPRING WASHER TYPE A GALV	4

APPLICATION

Fixing pack used to fix Kee Walk free standing modules.

COMPONENT SPECIFICATION

Material	Mild Steel / Aluminium
Finish	Galvanised to BS EN ISO 1461 / Natural
Weight	0.18 kg

Issue Date: 25/10/2018

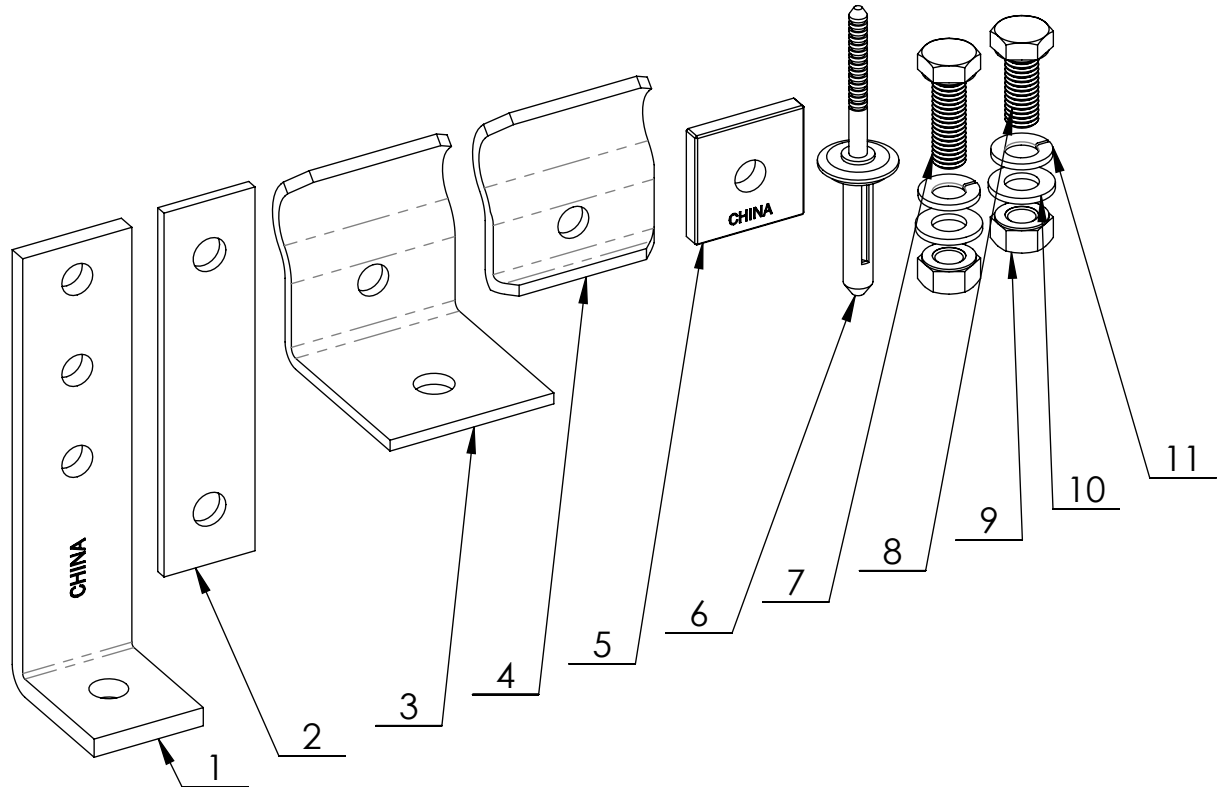
Issue No: 2

Technical Datasheet No: 0059

WFP10 - FIXING SPARES PACK

Part No: WW759FP10

Short Part No: WFP10



ITEM NO.	PART NO.	DESCRIPTION	QTY.
1	WW3096510	WW3096 - EXTENDED FIXING BRACKET GALV	5
2	WW1003030	WW1003 - STRAIGHT CONNECTOR ALUMINIUM	5
3	WW4510203	WW4510 - STANDING SEAM ROOFING CLIP ONE HALF	5
4	WW4505503	WW4505 - STANDING SEAM ROOFING CLIP 2ND HALF	5
5	WW40906510	KEE WALK SPACER	5
6	LAOKL2RVT	7.7 BULB-TITE RIVIT EPDM	50
7	WW1125110	WW1125 - M8 x 25 HEX HD GR 8,8 SET SCREW	10
8	WW1120110	WW1120 - M8 x 20 HEX HD GR 8,8 SET SCREW	25
9	WW2180110	WW2180 - M8 HEX HD FULL NUT GR 8,8	35
10	WW3180110	WW3180 - M8 PLAIN WASHER FORM A GALV	35
11	WW3280110	WW3280 - M8 SPRING WASHER TYPE A GALV	35

APPLICATION

Fixing spares pack for Kee Walk.

COMPONENT SPECIFICATION

Material	Mild Steel / Aluminium
Finish	Galvanised to BS EN ISO 1461 / Natural
Weight	4.05 kg

Issue Date: 25/10/2018

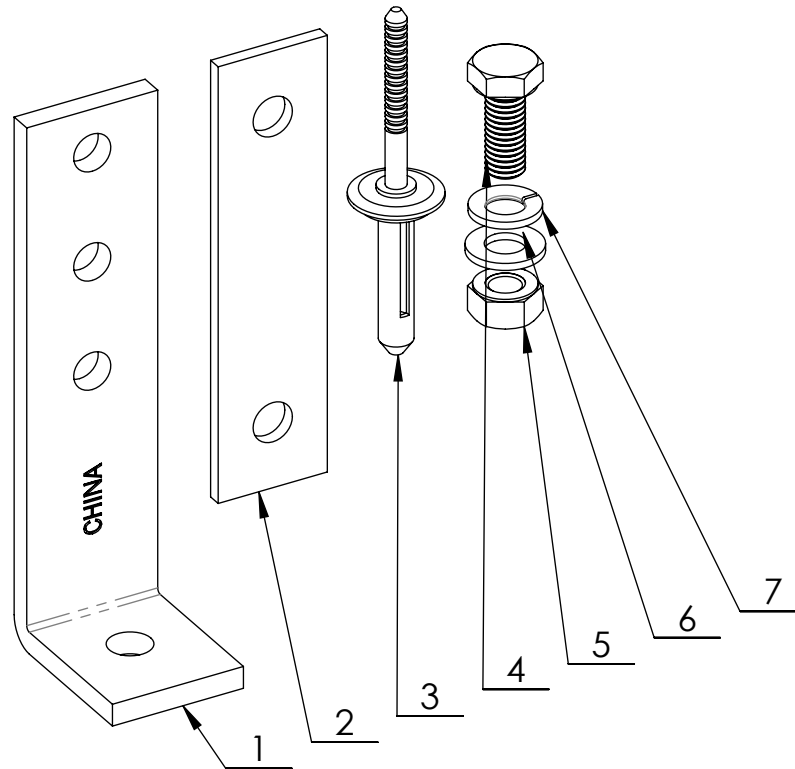
Issue No: 2

Technical Datasheet No: 0060

STAINLESS STEEL FIXING PACKS ST/ST- PROFILE ROOF

Part No: WW850FP10, WW851FP10, WW852FP10, WW853FP10

Short Part No: WFP1SS, WFP2SS, WFP3SS, WFP4SS



WW850FP10 - WFP1SS - 3M STEPS/TRVERSE FIXING PACK ST/ST - PROFILE ROOF
WW851FP10 - WFP2SS - 1.5M STEPS/TRVERSE FIXING PACK ST/ST - PROFILE ROOFS
WW852FP10 - WFP3SS - 3M STEPS/LONGITUDINAL FIXING PACK ST/ST- PROFILE ROOFS
WW853FP10 - WFP4SS - 1.5M STEPS/LONGITUDINAL FIXING PACK ST/ST- PROFILE ROOFS

ITEM NO.	PART NO.	DESCRIPTION	WFP1 QTY.	WFP2 QTY.	WFP3 QTY.	WFP4 QTY.
1	WW3096510	WW3096 - EXTENDED FIXING BRACKET GALV	6	4	9	6
2	WW1003030	WW1003 - STRAIGHT CONNECTOR ALUMINIUM	2	2	2	2
3	LAOKL2RVT	7.7 BULB-TITE RIVIT EPDM	12	8	18	12
4	WW1120150	WW1120ST - M8 x 20 A4-70 HEX HD SETSCREW ST/ST	4	4	4	4
5	WW2180150	WW2180ST - M8 A4-70 HEX NUT ST/ST	4	4	4	4
6	WW3180150	WW3180ST - M8 A4-70 PLAIN WASHER ST/ST	4	4	4	4
7	WW3280150	WW3280ST - M8 A4-70 SPRING WASHER ST/ST	4	4	4	4

APPLICATION

Stainless Steel fixing pack used to fix KeeWalk traverse and longitudinal modules to the profile roof.

COMPONENT SPECIFICATION

Material	Mild Steel / Aluminium / Stainless Steel
Finish	Galvanised to BS EN ISO 1461 / Natural
Weight	0.20kg, 0.25kg, 0.30kg, 0.25kg

Issue Date: 25/10/2018

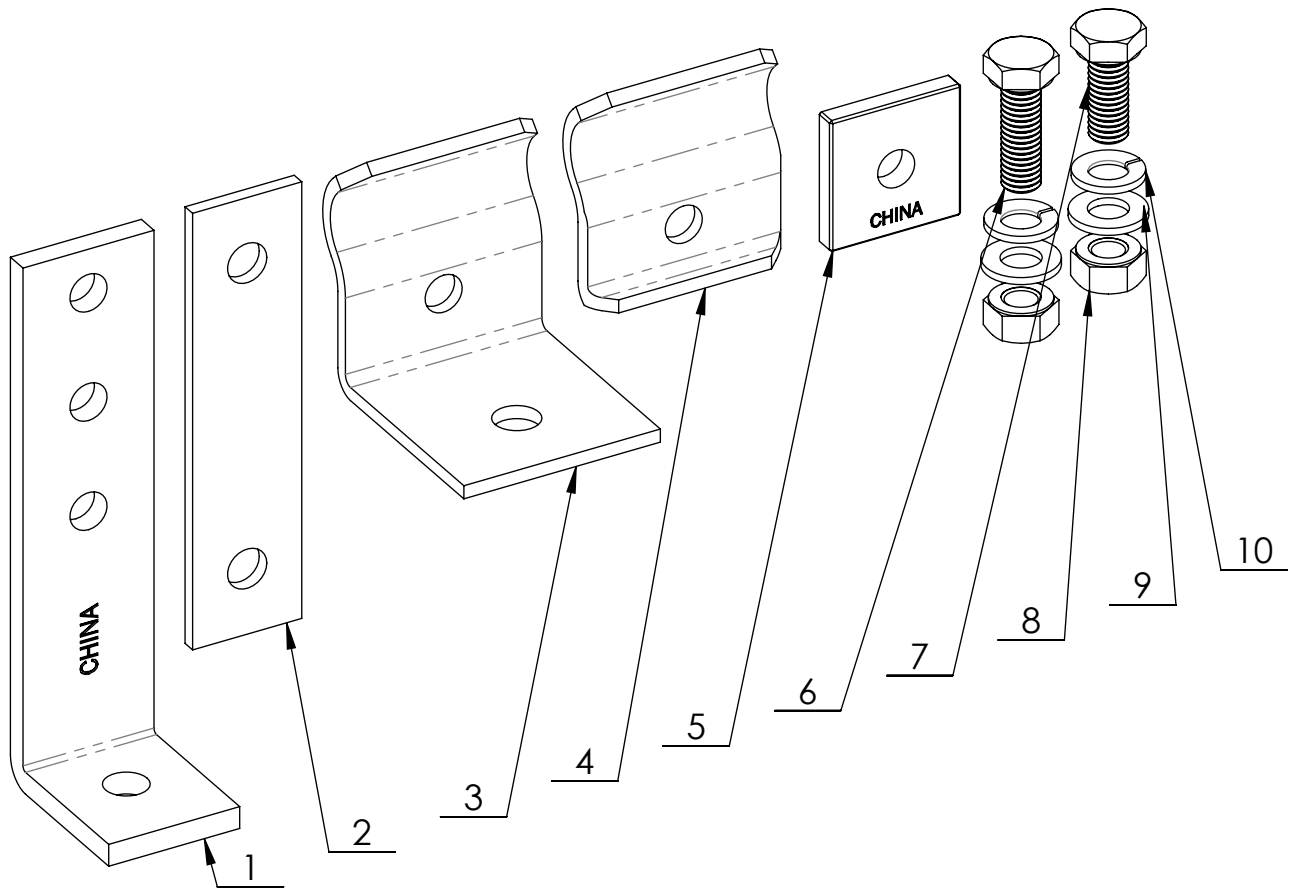
Issue No: 4

Technical Datasheet No: 0061

FIXING PACK STAINLESS STEEL - STANDING SEAM ROOF

Part No: WW854FP10, WW855FP10, WW856FP10, WW857FP10

Short Part No: WFP5SS, WFP6SS, WFP7SS, WFP8SS



- WW854FP10 - WFP5SS - 3M STEPS/TRAVERSE FIXING PACK ST/ST- STANDING SEAM ROOFS
- WW855FP10 - WFP6SS - 1.5M STEPS/TRAVERSE FIXING PACK ST/ST- STANDING SEAM ROOFS
- WW856FP10 - WFP7SS - 3M STEPS/LONGITUDINAL FIXING PACK ST/ST- STANDING SEAM ROOFS
- WW857FP10 - WFP8SS - 1.5M STEPS/LONGITUDINAL FIXING PACK ST/ST- STANDING SEAM ROOFS

ITEM NO.	PART NO.	DESCRIPTION	WFP5 QTY.	WFP6 QTY.	WFP7 QTY.	WFP8 QTY.
1	WW3096510	WW3096 - EXTENDED FIXING BRACKET GALV	6	4	8	6
2	WW1003030	WW1003 - STRAIGHT CONNECTOR ALUMINIUM	2	2	2	2
3	WW4510203	WW4510 - STANDING SEAM ROOFING CLIP ONE HALF	6	4	8	6
4	WW4505503	WW4505 - STANDING SEAM ROOFING CLIP 2ND HALF	6	4	8	6
5	WW40906510	KEE WALK SPACER	6	4	8	6
6	WW1125150	WW1125ST - M8 x 25 A4-70 HEX HD SETSCREW ST/ST	6	4	8	6
7	WW1120150	WW1120ST - M8 x 20 A4-70 HEX HD SETSCREW ST/ST	10	8	12	10
8	WW2180150	WW2180ST - M8 A4-70 HEX NUT ST/ST	16	12	20	16
9	WW3180150	WW3180ST - M8 A4-70 PLAIN WASHER ST/ST	22	20	28	22
10	WW3280150	WW3280ST - M8 A4-70 SPRING WASHER ST/ST	16	12	20	16

APPLICATION

Stainless Steel fixing pack used to fix KeeWalk traverse and longitudinal modules to the profile roof.

COMPONENT SPECIFICATION

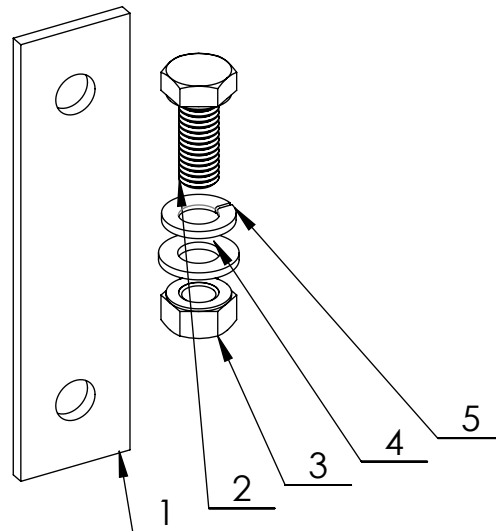
Material	Mild Steel / Aluminium / Stainless Steel
Finish	Galvanised to BS EN ISO 1461 / Natural
Weight	1.44kg, 1.02kg, 2.07kg, 1.44kg

Technical Datasheet No: 0062

WFP9 - JOINER FOR FREE STANDING MODULES SS

Part No: WW858FP10

Short Part No: WFD9SS



ITEM NO.	PART NO.	DESCRIPTION	QTY.
1	WW1003030	WW1003 - STRAIGHT CONNECTOR ALUMINIUM	2
2	WW1120150	WW1120ST - M8 x 20 A4-70 HEX HD SETSCREW ST/ST	4
3	WW2180150	WW2180ST - M8 A4-70 HEX NUT ST/ST	4
4	WW3180150	WW3180ST - M8 A4-70 PLAIN WASHER ST/ST	4
5	WW3280150	WW3280ST - M8 A4-70 SPRING WASHER ST/ST	4

APPLICATION

Stainless Steel fixing pack used to fix Kee Walk free standing modules.

COMPONENT SPECIFICATION

Material	Mild Steel / Aluminium / Stainless Steel
Finish	Galvanised to BS EN ISO 1461 / Natural
Weight	0.18 kg

Issue Date: 25/10/2018

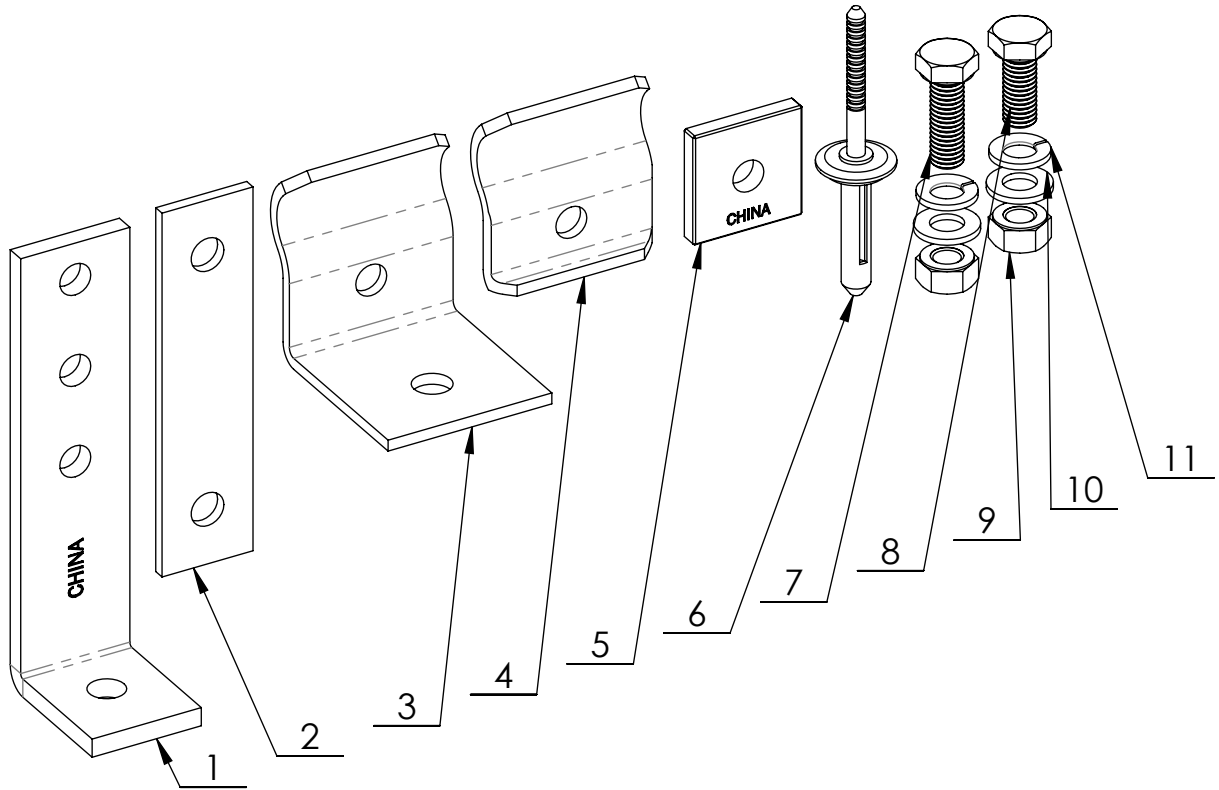
Issue No: 4

Technical Datasheet No: 0063

WFP10SS - FIXING SPARES PACK ST/ST

Part No: WW859FP10

Short Part No: WFP10SS



ITEM NO.	PART NO.	DESCRIPTION	QTY.
1	WW3096510	WW3096 - EXTENDED FIXING BRACKET GALV	5
2	WW1003030	WW1003 - STRAIGHT CONNECTOR ALUMINIUM	5
3	WW4510203	WW4510 - STANDING SEAM ROOFING CLIP ONE HALF	5
4	WW4505503	WW4505 - STANDING SEAM ROOFING CLIP 2ND HALF	5
5	WW40906510	KEE WALK SPACER	5
6	LAOKL2RVT	7.7 BULB-TITE RIVIT EPDM	50
7	WW1125150	WW1125ST - M8 x 25 A4-70 HEX HD SETSCREW ST/ST	10
8	WW1120150	WW1120ST - M8 x 20 A4-70 HEX HD SETSCREW ST/ST	25
9	WW2180150	WW2180ST - M8 A4-70 HEX NUT ST/ST	35
10	WW3180150	WW3180ST - M8 A4-70 PLAIN WASHER ST/ST	35
11	WW3280150	WW3280ST - M8 A4-70 SPRING WASHER ST/ST	35

APPLICATION

Stainless Steel fixing spares pack for Kee Walk.

COMPONENT SPECIFICATION

Material	Mild Steel / Aluminium / Stainless Steel
Finish	Galvanised to BS EN ISO 1461 / Natural
Weight	4.05 kg

Issue Date: 25/10/2018

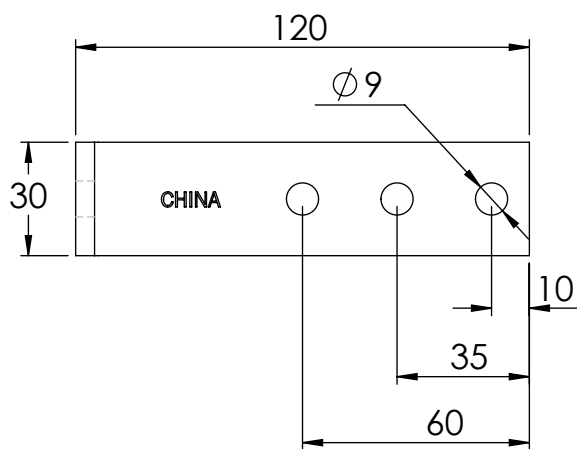
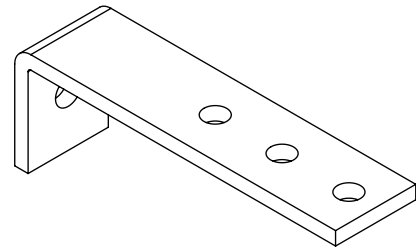
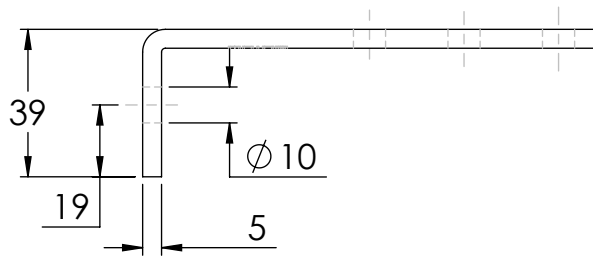
Issue No: 4

Technical Datasheet No: 0064

WW3096 - EXTENDED FIXING BRACKET GALV

Part No: WW3096510

Short Part No: WW3096



APPLICATION

Used to fix Kee Walk extrusions or module to the roof.

COMPONENT SPECIFICATION

Material	Mild Steel S235
Finish	Galvanised to KKMS/0030
Weight	0.17

Issue Date: 24/10/2018

Issue No: 1