



RELIABLE SAFE ACCESS

Safety Gate Solutions



- SINGLE, DOUBLE AND PALLET WIDTH GATES
- SIMPLE CONSTRUCTION, EASY TO ASSEMBLE
- PERFORMANCE TESTED FOR TROUBLE FREE OPERATION
- FULLY ADJUSTABLE FOR VARYING WIDTHS

Single Width Gates

The **KEE GATE** single width self closing gate has been designed to easily fit to new or existing structures wherever a gate is required. The hinge mechanism ensures that the gate will always close behind anyone who goes through it, thus maintaining a safe barrier around people where required. The gate is made from galvanised steel and can be cut down to size to fit into the required opening. As can be seen from the examples below, a **KEE GATE** can be powder coated if preferred. **KEE GATE** is suitable for a variety of applications, either internal or external.

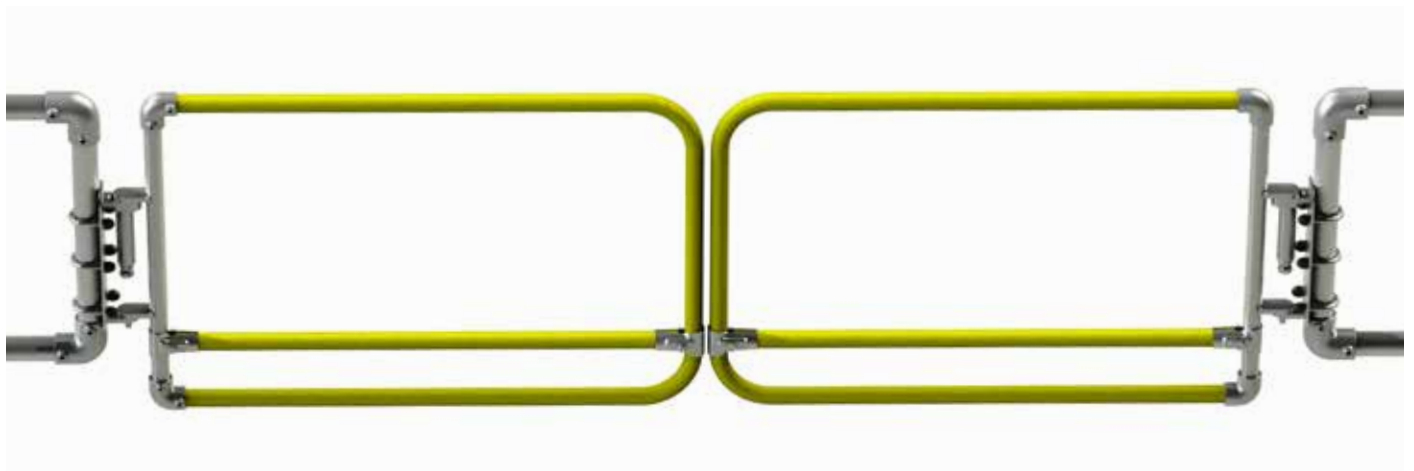


- Maximum width 1m, fully adjustable to smaller apertures allows broad flexibility of use
- Reversible, hinges can be on the left or right hand side of an opening to allow easy installation
- Cycle tested for 50,000 openings for assured durability
- Salt spray tested for corrosion resistance (672 hours) to allow continuous operation, even in corrosive environments
- Compliant with EN 14122 : 2016 & OSHA requirements, CE marked for assured and safe operation

Double Width Gates

KEE GATE now has a double width gate option available for larger openings greater than 1m wide. The maximum width for this option is 1.8m. The double gate scenario is still compliant to EN 14122 : 2016 and OSHA requirements and importantly does not require any locking mechanism to be used by the operator. The gates are both self closing

and will form a compliant barrier when a person has passed through the gate. This is achieved by strengthening the attachment and increasing the number of fixings when compared to the single gate option. The double width gate has undergone the same testing regime as the single gate and is available in the same product options.



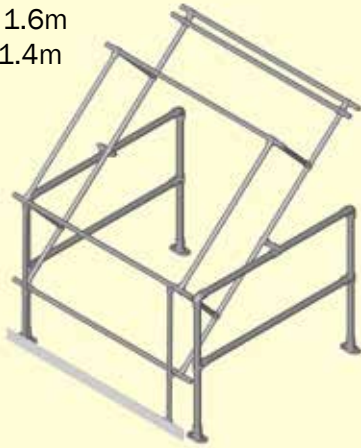
Pallet Gates

KEE GATE now incorporates a range of pallet gates into the portfolio, allowing safe working for employees on a mezzanine or raised working surface. The gates are designed to fit seamlessly into a guardrail or barrier and ensure there is continuous

protection in place, while goods are being moved either up to, or down from the mezzanine. Pallet gates are available in four different configurations to suit the type of operation required.

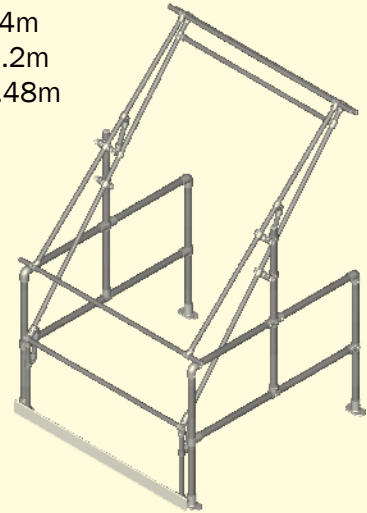
TYPE A - Standard model

Max pallet width 1.4m
Max pallet height 1.6m
Max pallet depth 1.4m



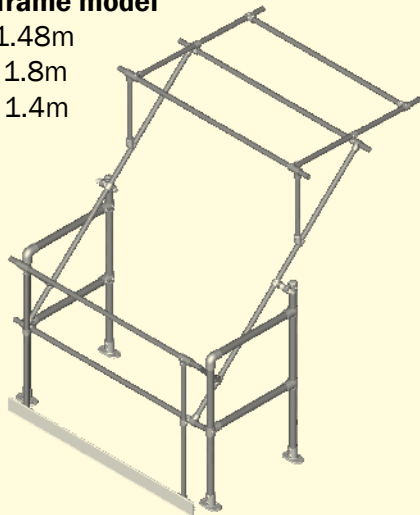
TYPE C - Tall pallet model

Max pallet width 1.4m
Max pallet height 2.2m
Max pallet depth 1.48m



TYPE B - Narrow frame model

Max pallet width 1.48m
Max pallet height 1.8m
Max pallet depth 1.4m



TYPE D - Extra wide model

Max pallet width 1.9m
Max pallet height 1.6m
Max pallet depth 1.48m



- Compliant with EN 14122-3 : 2016 and OSHA requirements for assured safe operation
- Available in galvanised steel or aluminium, dependant upon customer requirements
- Built using KEE KLAMP and KEE LITE fittings, TÜV approved components for quality assurance
- No welded parts, so any damage can be easily repaired, keeping the gate operational
- Cycle tested to 50,000 openings for assured durability
- Salt spray tested for corrosion resistance (672 hours) to allow continuous operation, even in corrosive environments
- Minimal number of moving parts for lower maintenance
- Will be supplied part assembled to facilitate on site installation

Full Height Single Gate

KEE GATE Full Height Gate is designed to comply with BS 4211 : *Specification for Permanently Fixed Ladders*, which requires gates on ladders to offer the same level of protection as EN 14122 compliant guardrail. Standing at 1100mm tall and featuring an aluminium toe board, it provides additional protection to those working at any level. The gate width is fully adjustable and can accommodate openings up to 1m.

- Reversible hinges can be on the left or right hand side of an opening to allow easy installation
- Salt spray tested for corrosion resistance (672 hours) to allow continuous operation, even in corrosive environments
- Compliant with BS 4211, EN 14122 : 2016 and OSHA.



Product Code	Description	Weight
Single Width Gates		
SGEU600GV	Single EU Gate - Galvanised	15.5Kg
SGEU600PC	Single EU Gate - Powder Coated	15.5Kg
Double Width Gates		
SGEUDP2GV	Double Gate - Pair of Gates - Galvanised	31Kg
SGEUDP2PC	Double Gate - Pair of Gates - Powder Coated	31Kg
Pallet Gates		
SGPGTYAGV	Pallet Gate Type A - Galvanised	91Kg
SGPGTYAPC	Pallet Gate Type A - Powder Coated	91Kg
SGPGTYBGV	Pallet Gate Type B - Galvanised	85Kg
SGPGTYBPC	Pallet Gate Type B - Powder Coated	85Kg
SGPGTYCGV	Pallet Gate Type C - Galvanised	125Kg
SGPGTYCPC	Pallet Gate Type C - Powder Coated	125Kg
SGPGTYDAL	Pallet Gate Type D - Aluminium	77Kg
Full Height Gate		
SGEUFH1GV	Single Full Height EU Gate - Galvanised	22kg
SGEUFH1PC	Single Full Height EU Gate - Powder Coated	22kg



Kee Safety Limited
Cradley Business Park
Overend Road
Cradley Heath
B64 7DW, UK

Tel: +44 (0) 1384 632 188
Fax: +44 (0) 1384 632 192

Email: sales@keesafety.com
Website: www.keesafety.co.uk